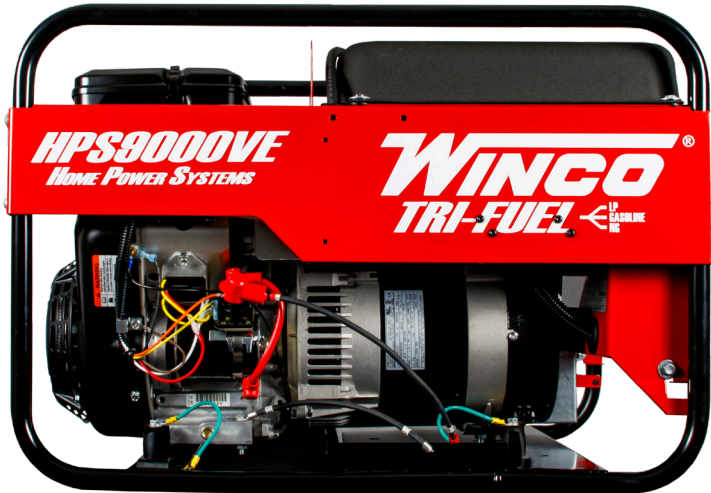


WINGCO[®] GENERATORS

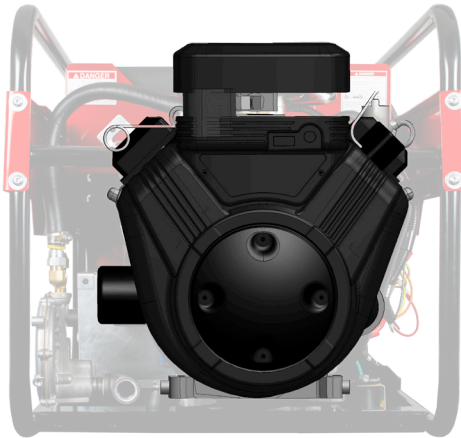
HPS9000VE-03 8,000 RUNNING WATTS

Rugged Steel Design.

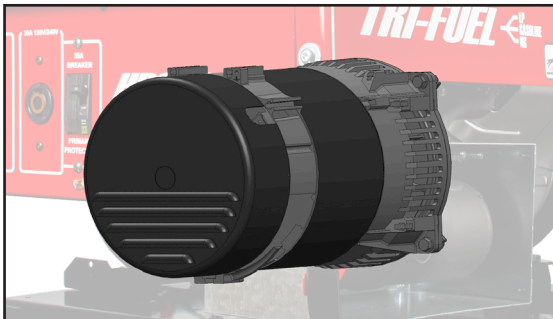
Engineered and built tough with steel and powder coat paint.



Vanguard Commercial Engine.



Brushless Industrial Genend.



An American Company.

We produce our products in our 200,000ft² facility located in Le Center, Minnesota, equipped with modern engineering, fabrication and assembly capabilities.



Tri-Fuel

Designed to easily run and transition between three fuel sources; LP, Natural Gas, and Gasoline.



TÜV & EPA CERTIFIED

We take the time to engineer our products to have the certification you need.

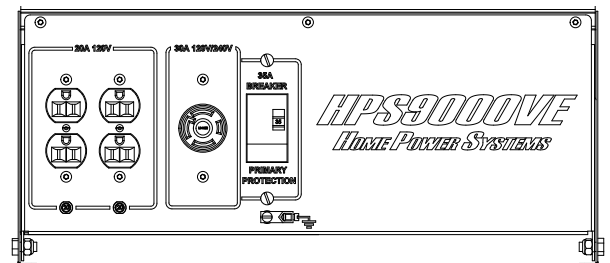


7 Gallon Fuel Tank

The EPA approved steel fuel tank design eliminates hydrocarbon emissions.



Receptacle Panel



SPECIFICATIONS

ELECTRICAL

FUEL SOURCE	STARTING WATTS	RUNNING WATTS	AMPS @120V	AMPS @240V
GASOLINE	9,000	8,000	66.7	33.3
LP	8,100	7,200	60.0	30.0
NG	7,200	6,400	53.2	26.6

ENGINE

ENGINE BRAND	BRIGGS & STRATTON		
ENGINE MODEL	VANGUARD		
ENGINE STARTER	RECOIL/ELECTRIC		
ENGINE SPEED	3600 RPM		
ENGINE CYLINDERS	V-TWIN		
DISPLACEMENT/TYPE	480 CC / OHV		
FREQUENCY REGULATION ⁽¹⁾	+/- 3%		
LOW OIL PROTECTION	STANDARD		
RECOMMENDED OIL ⁽²⁾	10W-30		
OIL CAPACITY	1.4 QT		
FUEL TANK	7 GAL		
FUEL GAUGE	YES		
FULL LOAD RUN TIME ⁽³⁾	5.3 HOURS		
FUEL CONSUMPTION			
GASOLINE 100% LOAD	1.3 GAL/HR		
NATURAL GAS 100% LOAD	180 FT ³ /HR - 183,600 BTU/HR		
LP GAS 100% LOAD	1.9 GAL/HR - 173,853 BTU/HR		
BATTERY SIZE ⁽⁴⁾	12V 18-A 235 CCA		

NOTES: (1) Steady state frequency regulation. (2) The recommended oil is for normal applications. See operator's manual for the recommended oil for your needs. (3) Run time is estimated using gasoline. (4) Battery not included.

GENSET

MOTOR STARTING (CODE G)	3 HP
DBA @ 7 METERS	77
TOTAL HARMONIC DISTORTION	< 5%
VOLTAGE REGULATION	CAPACITOR +/- 5%
BONDED NEUTRAL	YES
120 VOLT RECEPTACLES	(2) NEMA 5-20 20A
120/240 VOLT RECEPTACLES	(1) NEMA L14-30R 30A
MAIN CIRCUIT BREAKER	35 AMP, 240V
2-WHEEL DOLLY KIT	OPTIONAL
INSULATION	CLASS H
PROTECTIVE ROLL FRAME	1.25" DIA. 14 GA. STEEL
ASSEMBLED IN	USA
EPA APPROVED	YES
CARB APPROVED	NO
TÜV CERTIFICATION	CSA
UNIT WARRANTY ⁽¹⁾	2 YEARS RESIDENTIAL

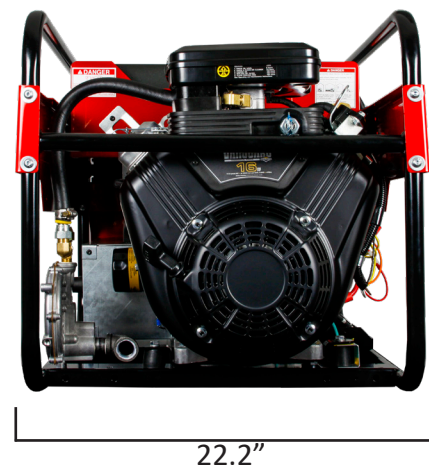
NOTES: (1) For more generator warranty, see operator's manual.

SHIPPING

SHIPPING DIMENSIONS (L x W x H)	33" x 25" x 30"
SHIP WEIGHT	272 LBS
FREIGHT CLASS	70

OPTIONAL ACCESSORIES

TWO-WHEEL DOLLY KIT	WITH FLAT-FREE TIRES
COVER	38.75" x 28" x 22"
30A PLUG	64492-000
BATTERY	12V 18-A 235 CCA
MAINTENANCE KIT	16200-007
MANUAL TRANSFER SWITCH	XRK0603D



Specifications are subject to change without notice.

