

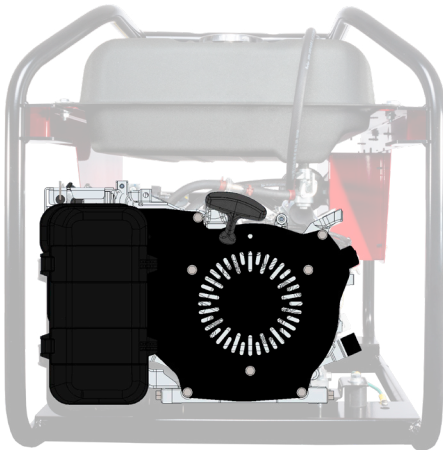
WINCO[®] GENERATORS

DP5000HR-03 4,560 RUNNING WATTS

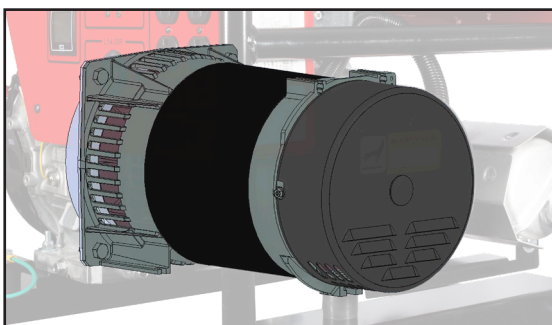
Rugged Steel Design.



Honda GX270 Commercial Engine.



Brushless Industrial Genend.



 An American Company.

We produce our products in our 200,000ft² facility located in Le Center, Minnesota, equipped with modern engineering, fabrication and assembly capabilities.



YOURGEN



LED Display

Hours, RPMs, voltage, and frequency readings automatically cycle on the display.

Load Bars

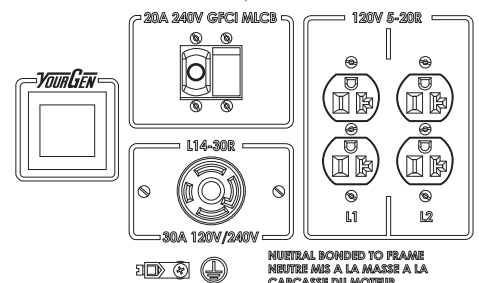
Easily verify the load balance on each leg of the generator end.

Warnings

The LED will flash if any parameter gets outside of normal range. A warning will also be displayed when it is time for an oil change.

Receptacle Panel

with GFCI protection



SPECIFICATIONS

ENGINE

ENGINE BRAND	HONDA
ENGINE MODEL	GX270
ENGINE STARTER	RECOIL
ENGINE SPEED	3600 RPM
ENGINE CYLINDERS	SINGLE
DISPLACEMENT/TYPE	270 CC / OHV
FREQUENCY REGULATION ⁽¹⁾	+/- 3%
LOW OIL PROTECTION	STANDARD
RECOMMENDED OIL ⁽²⁾	10W-30
OIL CAPACITY	1.2 QT
FUEL TANK	8 GAL
FUEL GAUGE	ON TANK
FULL LOAD RUN TIME ⁽³⁾	10.6 HOURS
FUEL CONSUMPTION	GAL/HR
100%	0.75
75%	0.59
50%	0.44
25%	0.33
0%	0.23

NOTES: (1) Steady state frequency regulation. (2) The recommended oil is for normal applications. See operator's manual for the recommended oil for your needs. (3) Run time is estimated. (4) Battery not included.

DERATES

ABOVE SEA LEVEL EVERY 1,000 FT	3.5%
-----------------------------------	------

SHIPPING

SHIPPING DIMENSIONS (L x W x H)	30" x 22" x 24"
SHIP WEIGHT	178 LBS
FREIGHT CLASS	70

ELECTRICAL

STARTING WATTS	5,000
RUNNING WATTS	4,560
RUNNING AMPS @ 120 VAC	38
RUNNING AMPS @ 240 VAC	19
VOLTAGE REGULATION	CAPACITOR +/- 5%
MAIN CIRCUIT BREAKER	20 AMP, 240V (GFCI)
BONDED NEUTRAL	YES
120 VOLT RECEPTACLES	(2) NEMA 5-20 20A (GFCI)
120/240 VOLT RECEPTACLES	(1) NEMA L14-30 30A (GFCI)
YOURGEN METER	STANDARD

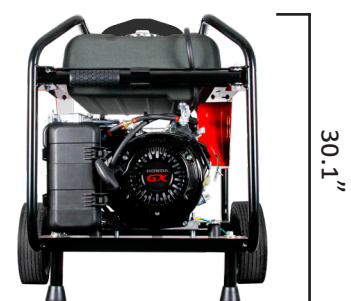
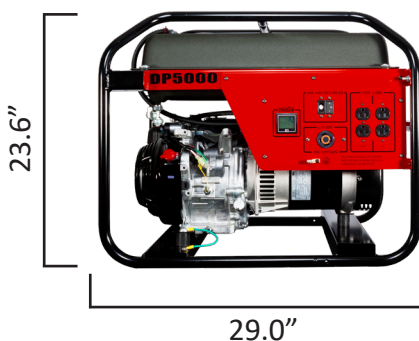
DP5000

MOTOR STARTING (CODE G)	1.5 HP
DBA @ 7 METERS	80.6
TOTAL HARMONIC DISTORTION	< 6%
LIFTING EYE ⁽¹⁾	STANDARD
2-WHEEL DOLLY KIT	OPTIONAL
INSULATION	CLASS H
PROTECTIVE ROLL FRAME	1.25" DIA. 14 GA. STEEL
ASSEMBLED IN	USA
EPA APPROVED	YES
CARB APPROVED	YES
TÜV CERTIFICATION	CSA
UNIT WARRANTY ⁽²⁾	3 YEARS COMMERCIAL

NOTES: (1) Lifting eye shipped loose. (2) For more generator warranty, see operator's manual.

OPTIONAL ACCESSORIES

TWO-WHEEL DOLLY KIT	WITH FLAT-FREE TIRES
COVER	34.75" x 25" x 24.5"
MAINTENANCE KIT	16200-003



Specifications are subject to change without notice.

