



5D51-35

**5D51 SERIES
UNIVERSAL FAN AND LIMIT CONTROLS**

Single Element Type for Applications with Narrow Space Limitations. Regulates Fan or Blower Operation and Acts as High Limit Safety Control

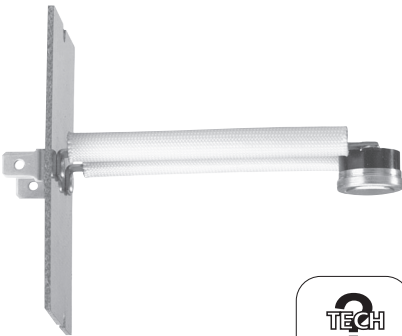
FEATURES

- Slotted mounting holes for easy installation.
- Long terminal screws for wiring — Junctions can be made on terminal block.
- Dial has individual pointers for fan cut-in and cut-out settings.
- Removable solid copper jumper between fan and limit switches.
- Summer fan switch for ventilation without changing control settings. Has same fan and limit switch mechanism.

SPECIFICATIONS

Agency U.L. recognized and C.S.A. approved
Dimensions 2.9"W x 4.3"H x 1.6"D

Model Number	Element Length	Description	Range	Differential	Switch Action	Full Electrical Rating	Motor Rating (Full Load)		Valves and Relays	
							120 VAC	240 VAC	24 VAC	0.3-12V DC
5D51-35	5"	Fan	50 to 265°F (10 to 129°C)	Adjustable 15°F minimum	Close on Rise	HT See page 222	14.0A	7.0A	5.6A	—
5D51-90	8"	Limit	100 to 300°F (38 to 149°C)	Fixed 25°F	Open on Rise	HTV See page 222	10.0A	6.0A	6.0A	1.0A
5D51-78	11"									



3L09 SERIES BOARD MOUNT LIMIT CONTROLS

1/2" Bimetal Disc with Ranges for Your System Needs

FEATURES

- Proven reliability in a compact, versatile, cost-effective design.
- Provides high-speed contact separation.
- OEM replacement for competitive models.

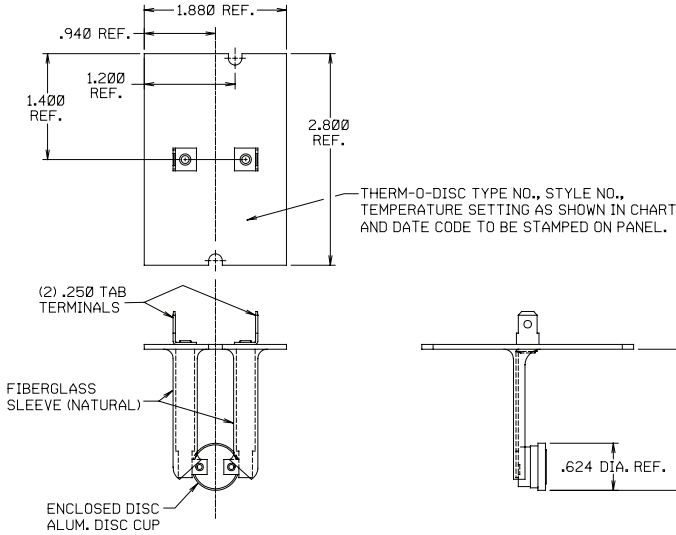


SPECIFICATIONS

Dimension drawings and specifications See pages 194–196

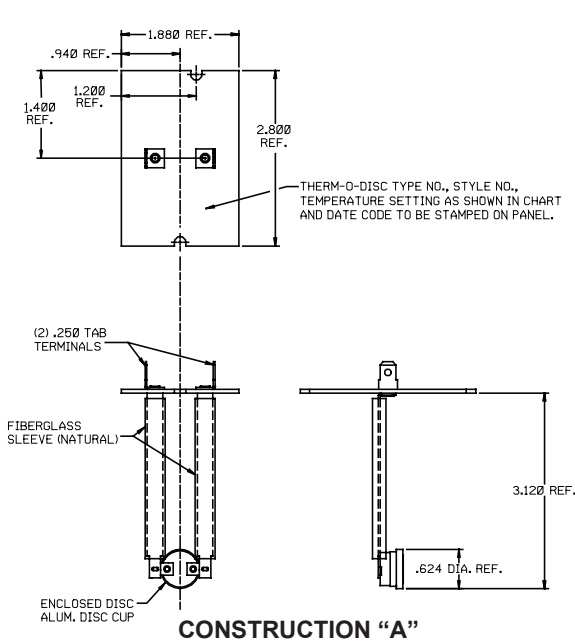
Model Number	Figure (pages 194-196)	Construction (pages 194-196)	Opens/Closes (°F)	Length (in inches)	TOD Type	TOD Style
3L09-1	1		140/100	1.87	36T	612700
3L09-2	1		170/130	1.87	36T	612708
3L09-3	2	A	140/110	3.12	36T	612701
3L09-4	2	C	150/130	3.12	36T	612703
3L09-5	2	C	160/140	3.12	36T	612706
3L09-6	2	B	170/130	3.12	36T	612710
3L09-7	2	A	175/145	3.12	36T	612711
3L09-8	2	B	180/140	3.12	36T	612714
3L09-9	2	C	190/170	3.12	36T	612715
3L09-10	2	B	200/160	3.12	36T	612718
3L09-11	2	B	210/170	3.12	36T	612719
3L09-12	2	B	220/180	3.12	36T	612722
3L09-13	2	A	240/210	3.12	36T	612723
3L09-14	2	B	250/210	3.12	36T	612725

Model Number	Figure (pages 194-196)	Construction (pages 194-196)	Opens/Closes (°F)	Length (in inches)	TOD Type	TOD Style
3L09-15	2	A	260/230	3.12	36T	612727
3L09-16	3	A	150/130	3.12	36T	612704
3L09-17	3	A	250/225	3.12	36T	612726
3L09-18	3	B	155/125	7.12	36T	612705
3L09-19	3	B	175/145	7.12	36T	612712
3L09-20	3	B	240/210	7.12	36T	612724
3L09-22	4	A	160/140	3.12	36T	612707
3L09-23	4	A	170/150	3.12	36T	612709
3L09-24	4	B	190/170	3.12	36T	612716
3L09-25	4	B	200/180	3.12	36T	612717
3L09-26	5		180/160	1.87	36T	612713
3L09-27	5		220/200	1.87	36T	612721
3L09-28	6		210/180	3.12	36T	612720

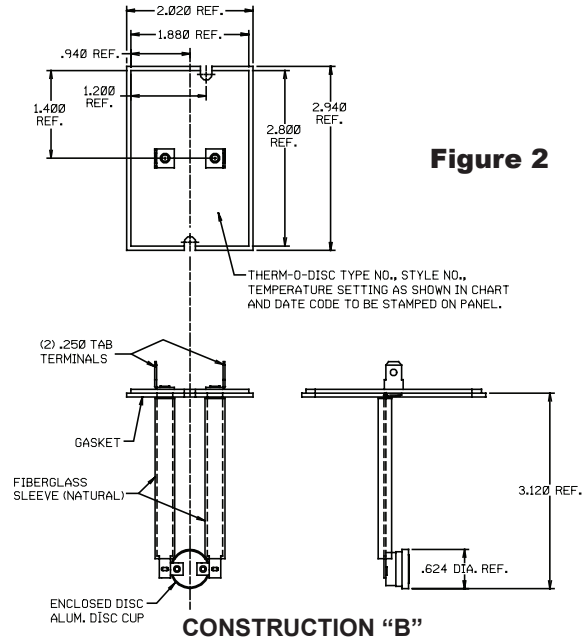


Model Number	Temp. Setting On Panel	Open Temp.	Close Temp.
3L09-1	L140-40	140°F±5°	100°F±8°
3L09-2	L170-40	170°F±5°	130°F±8°

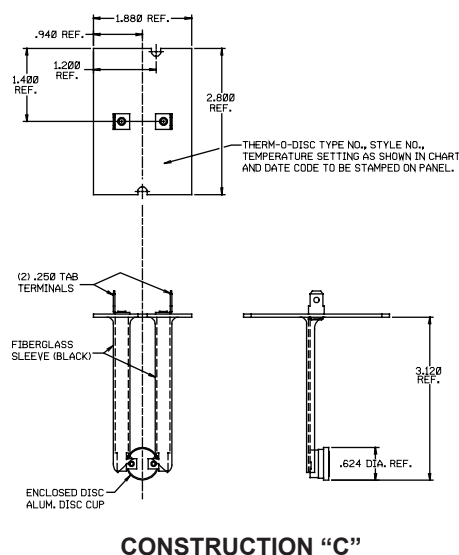
Figure 1



CONSTRUCTION "A"



CONSTRUCTION "B"



CONSTRUCTION "C"

Model Number	Construction	Temp. Setting On Panel	Open Temp.	Close Temp.
3L09-3	A	L140-30F	140°F±5°	110°F±8°
3L09-4	C	L150-20F	150°F±5°	130°F±8°
3L09-5	C	L160-20F	160°F±5°	140°F±8°
3L09-6	B	L170-40F	170°F±5°	130°F±8°
3L09-7	A	L175-30F	175°F±5°	145°F±8°
3L09-8	B	L180-40F	180°F±6°	140°F±9°
3L09-9	C	L190-20F	190°F±5°	170°F±8°
3L09-10	B	L200-40F	200°F±6°	160°F±9°
3L09-11	B	L210-40F	210°F±6°	170°F±9°
3L09-12	B	L220-40F	220°F±6°	180°F±9°
3L09-13	A	L240-30F	240°F±6°	210°F±10°
3L09-14	B	L250-40F	250°F±7°	210°F±11°
3L09-15	A	L260-30F	260°F±6°	230°F±10°