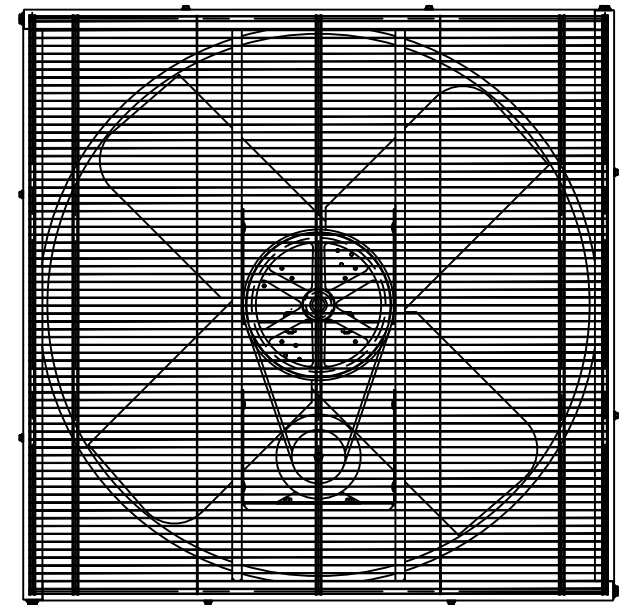
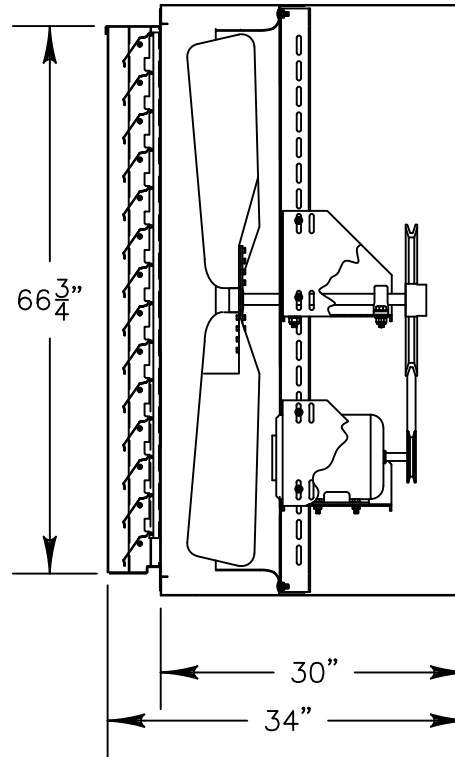


DISCHARGE VIEW



INTAKE VIEW

Exhaust Fan Specifications

Blade Diameter:	60"	Motor Enclosure:	ODP
Drive:	Belt	Duty Cycle:	Continuous Duty
Horsepower:	2	Guard:	OSHA Compliant
Voltage:	115/230	Power Cord:	N/A
Phase:	1		
RPM:	610		

*See TriangleFans.com for performance specifications

*Specifications are subject to change without notice



VIK6017-U
WALL FAN

NOT TO SCALE | 14 OCT 2015