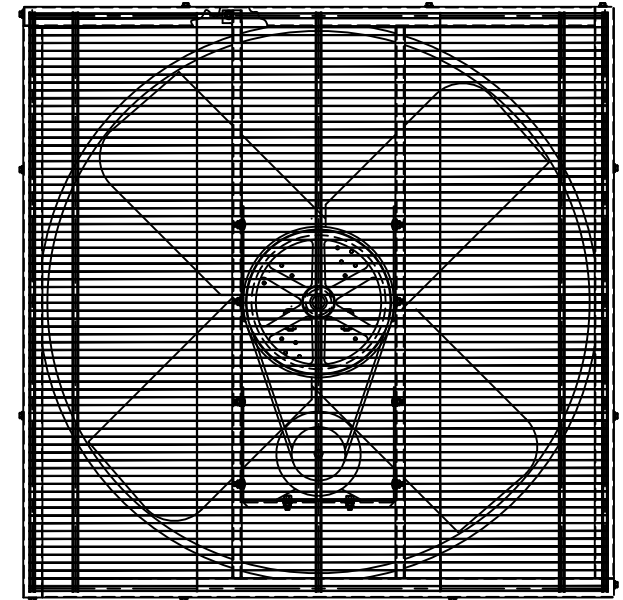
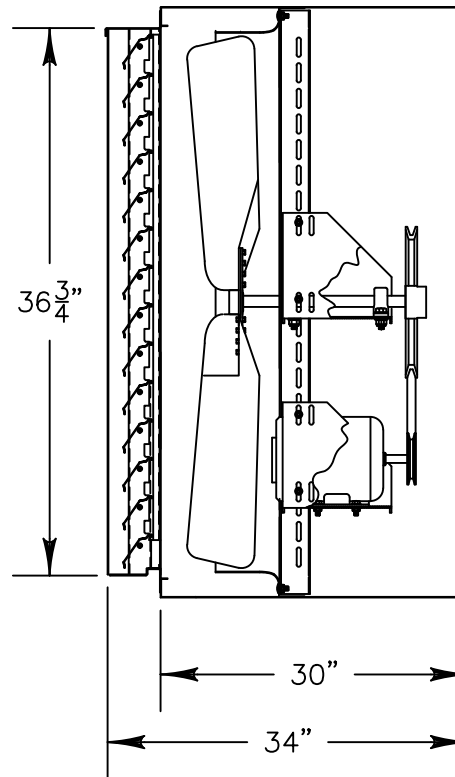


DISCHARGE VIEW



INTAKE VIEW

## Exhaust Fan Specifications

Blade Diameter:	36"	Motor Enclosure:	ODP
Drive:	Belt	Duty Cycle:	Continuous Duty
Horsepower:	3	Guard:	OSHA Compliant
Voltage:	230/460	Power Cord:	N/A
Phase:	3		
RPM:	835		

\*See TriangleFans.com for performance specifications

\*Specifications are subject to change without notice



VIK3618-X  
WALL FAN

NOT TO SCALE | 14 OCT 2015