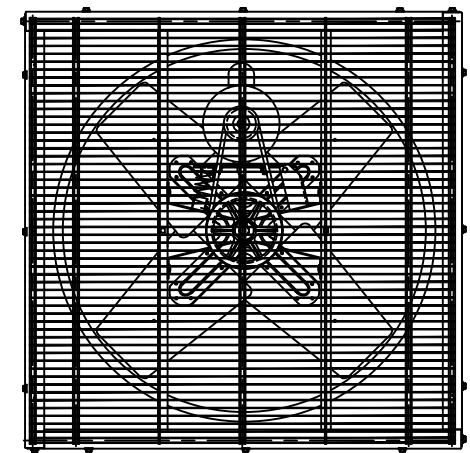
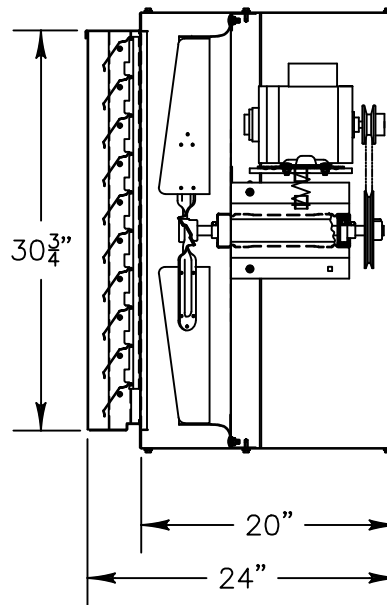


DISCHARGE VIEW



INTAKE VIEW

### Exhaust Fan Specifications

Blade Diameter:	30"	Motor Enclosure:	TEFC
Drive:	Belt	Duty Cycle:	Continuous Duty
Horsepower:	3/4	Guard:	OSHA Compliant
Voltage:	115/230	Prewired:	115v
Phase:	1	Power Cord:	10' with molded plug
RPM:	740		

\*See TriangleFans.com for performance specifications  
 \*Specifications are subject to change without notice



VIK3014T-U  
 WALL FAN

NOT TO SCALE | 14 OCT 2015