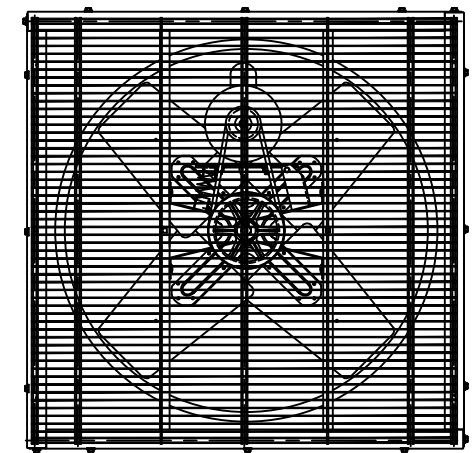
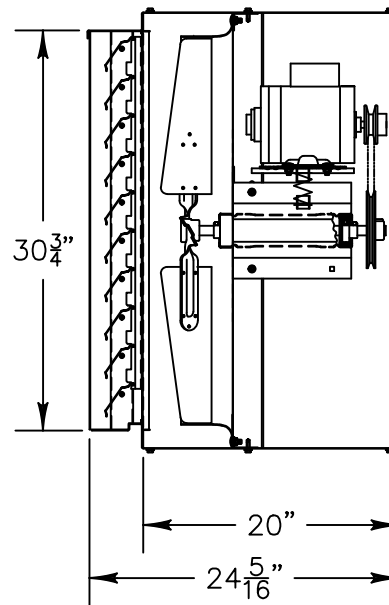


DISCHARGE VIEW



INTAKE VIEW

### Exhaust Fan Specifications

|                 |      |                  |                      |
|-----------------|------|------------------|----------------------|
| Blade Diameter: | 30"  | Motor Enclosure: | ODP                  |
| Drive:          | Belt | Duty Cycle:      | Continuous Duty      |
| Horsepower:     | 1/3  | Guards:          | OSHA Compliant       |
| Voltage:        | 115  | Power Cord:      | 10' with molded plug |
| Phase:          | 1    |                  |                      |
| RPM:            | 615  |                  |                      |

\*See TriangleFans.com for performance specifications  
 \*Specifications are subject to change without notice



VIK3012-V  
 WALL FAN

NOT TO SCALE | 14 OCT 2015