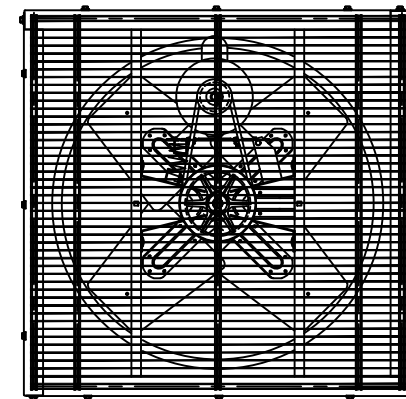
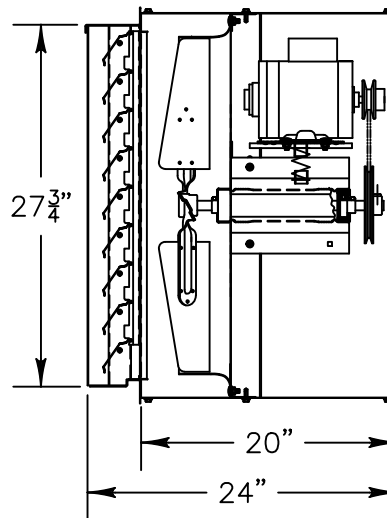


DISCHARGE VIEW



INTAKE VIEW

### Fan Specifications

Blade Diameter:	24"	Motor Enclosure:	ODP
Drive:	Belt	Duty Cycle:	Continuous Duty
Horsepower:	1/2	Guard:	OSHA Compliant
Voltage:	230	Power Cord:	N/A
Phase:	1		
RPM:	840		

\*See TriangleFans.com for performance specifications  
 \*Specifications are subject to change without notice



VIK2413-W  
 WALL FAN

NOT TO SCALE | 14 OCT 2015