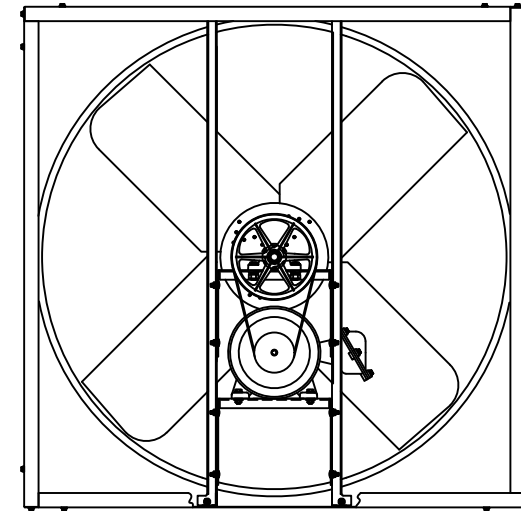
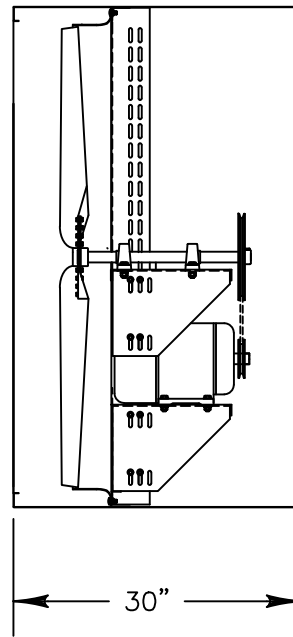


DISCHARGE VIEW



INTAKE VIEW

Exhaust Fan Specifications

Blade Diameter:	48"	Motor Enclosure:	ODP
Drive:	Belt	Duty Cycle:	Continuous Duty
Horsepower:	5	Guards:	N/A
Voltage:	230	Power Cord:	N/A
Phase:	1		
RPM:	620		

*See TriangleFans.com for performance specifications
 *Specifications are subject to change without notice



VI4819-W

NOT TO SCALE | 29 SEP 2015