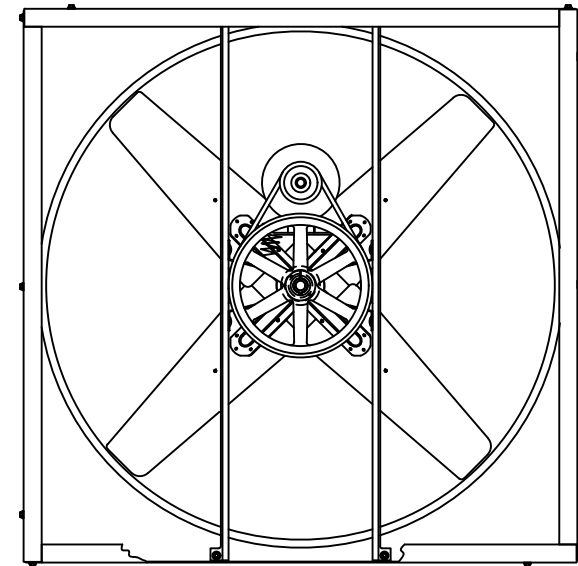


DISCHARGE VIEW



INTAKE VIEW

### Exhaust Fan Specifications

|                 |         |                  |                 |
|-----------------|---------|------------------|-----------------|
| Blade Diameter: | 36"     | Motor Enclosure: | TEFC            |
| Drive:          | Belt    | Duty Cycle:      | Continuous Duty |
| Horsepower:     | 1.5     | Guards:          | N/A             |
| Voltage:        | 115/230 | Power Cord:      | N/A             |
| Phase:          | 1       |                  |                 |
| RPM:            | 723     |                  |                 |

\*See TriangleFans.com for performance specifications  
 \*Specifications are subject to change without notice



VI3616T-U

NOT TO SCALE | 28 SEP 2015