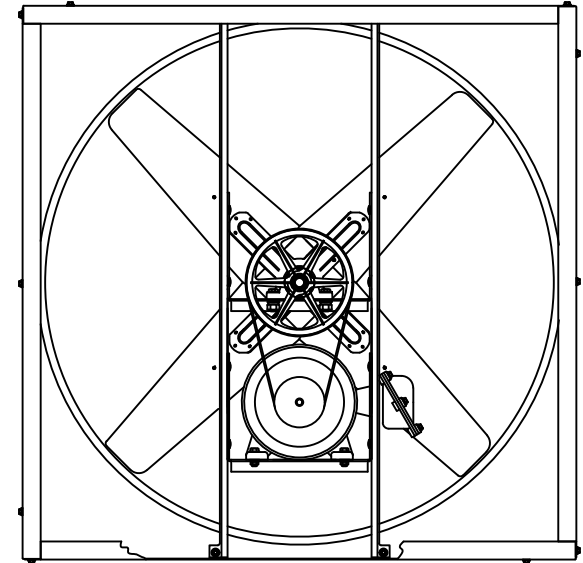
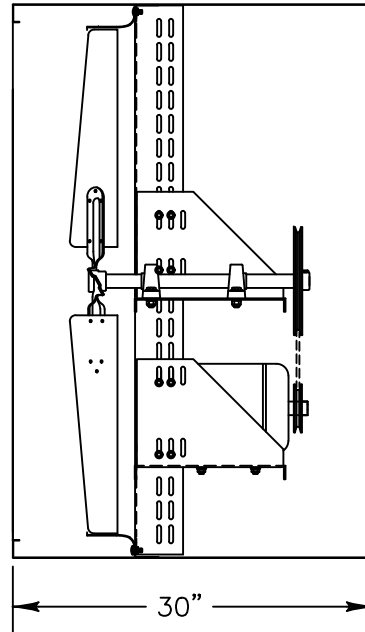


DISCHARGE VIEW



INTAKE VIEW

Exhaust Fan Specifications

| | | | |
|-----------------|---------|------------------|--------------------|
| Blade Diameter: | 36" | Motor Enclosure: | Hazardous Location |
| Drive: | Belt | Duty Cycle: | Continuous Duty |
| Horsepower: | 1 | Guards: | N/A |
| Voltage: | 115/230 | Power Cord: | N/A |
| Phase: | 1 | | |
| RPM: | 555 | | |

*See TriangleFans.com for performance specifications

*Specifications are subject to change without notice



VI3615HL-U

NOT TO SCALE | 28 SEP 2015