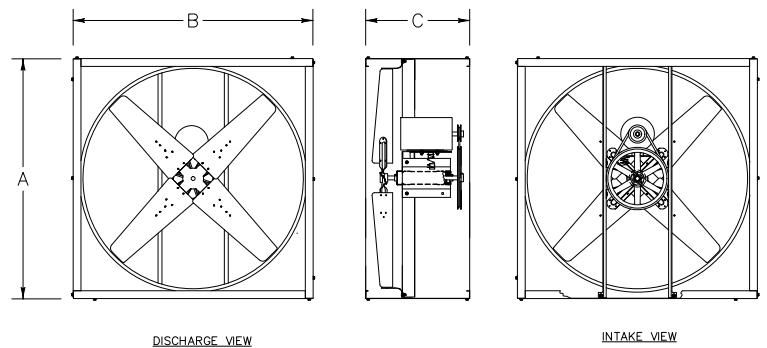


Diameter	HP	CFM 0.0 SP	0.125 SP	0.25 SP	0.5 SP	Weight (lbs)*	1-Phase		3-Phase		Hazardous Location*	
							Open Drip Proof Motor 115V/230V	Totally Enclosed Motor 115/230V	Open Drip Proof Motor 230/460V	Totally Enclosed Motor 230/460V	1-Phase	3-Phase
24"	1/3	4,190	3,250	1,950	----	100	VI2412-V (115V)	----	VI2412-X	----	VI2412HL-U	VI2412HL-X
	1/2	5,000	4,250	3,430	----	105	VI2413-V (115V) VI2413-W (230V)	VI2413T-U	VI2413-X	VI2413T-X	VI2413HL-U	VI2413HL-X
30"	1/3	7,080	6,050	4,940	----	111	VI3012-V (115V) VI3012-W (230V)	VI3012T-U	VI3012-X	VI3012T-X	VI3012HL-U	VI3012HL-X
	1/2	9,180	7,880	6,430	----	111	VI3013-V (115V) VI3013-W (230V)	VI3013T-U	VI3013-X	VI3013T-X	VI3013HL-U	VI3013HL-X
	3/4	9,840	8,650	7,190	----	114	VI3014-U	VI3014T-U	VI3014-X	VI3014T-X	VI3014HL-U	VI3014HL-X
36"	1/2	10,800	8,840	6,550	----	125	VI3613-V (115V) VI3613-W (230V)	VI3613T-U	VI3613-X	VI3613T-X	VI3613HL-U	VI3613HL-X
	3/4	11,100	7,850	4,380	----	136	VI3614-U	VI3614T-U	VI3614-X	VI3614T-X	VI3614HL-U	VI3614HL-X
	1	12,100	9,030	5,970	----	145	VI3615-U	VI3615T-U	VI3615-X	VI3615T-X	VI3615HL-U	VI3615HL-X
	1 1/2	13,110	9,820	6,450	----	160	VI3616-U	VI3616T-U	VI3616-X	VI3616T-X	VI3616HL-U	VI3616HL-X
	2	12,780	11,790	10,800	8,250	202	VI3617-U	----	VI3617-X	VI3617T-X	VI3617HL-U*	VI3617HL-X
	3	15,400	14,200	13,000	9,970	267	----	----	VI3618-X	VI3618T-X	----	VI3618HL-X
42"	1/2	13,000	9,730	4,270	----	150	VI4213-V (115V) VI4213-W (230V)	VI4213T-U	VI4213-X	VI4213T-X	VI4213HL-U	VI4213HL-X
	3/4	14,600	12,000	6,780	----	155	VI4214-U	VI4214T-U	VI4214-X	----	VI4214HL-U	VI4214HL-X
	1	16,000	11,600	6,040	----	171	VI4215-U	VI4215T-U	VI4215-X	VI4215T-X	VI4215HL-U	VI4215HL-X
	1 1/2	17,200	14,700	10,800	----	185	VI4216-U	VI4216T-U	VI4216-X	VI4216T-X	VI4216HL-U	VI4216HL-X
	2	16,800	15,100	13,200	----	210	VI4217-U	VI4217T-U	VI4217-X	VI4217T-X	----	----
48"	3/4	19,100	14,300	6,160	----	185	VI4814-U	VI4814T-U	VI4814-X	VI4814T-X	VI4814HL-U	VI4814HL-X
	1	20,600	16,000	7,770	----	195	VI4815-U	VI4815T-U	VI4815-X	VI4815T-X	VI4815HL-U	VI4815HL-X
	1 1/2	21,500	16,400	10,400	----	210	VI4816-U	VI4816T-U	VI4816-X	VI4816T-X	VI4816HL-U	VI4816HL-X
	2	21,100	19,000	16,500	----	240	VI4817-U	VI4817T-U	VI4817-X	VI4817T-X	VI4817HL-U*	VI4817HL-X
	3	23,700	21,500	19,300	----	305	VI4818-U	----	VI4818-X	VI4818T-X	VI4818HL-U	VI4818HL-X
	5	28,800	26,800	24,500	18,400	330	VI4819-W (230V)	----	VI4819-X	VI4819T-X	----	VI4819HL-X
54"	2	25,500	22,300	19,900	----	345	VI5417-U	VI5417T-U	VI5417-X	VI5417T-X	VI5417HL-U*	VI5417HL-X
	3	29,800	27,100	24,600	----	355	VI5418-U	----	VI5418-X	VI5418T-X	VI5418HL-U	VI5418HL-X
	5	37,300	35,000	32,600	26,500	365	VI5419-W (230V)	----	VI5419-X	VI5419T-X	----	VI5419HL-X
60"	2	30,800	27,800	23,900	----	425	VI6017-U	VI6017T-U	VI6017-X	VI6017T-X	VI6017HL-U*	VI6017HL-X
	3	34,700	31,700	28,700	20,800	430	VI6018-U	----	VI6018-X	VI6018T-X	VI6018HL-U	VI6018HL-X
	5	43,500	40,600	37,200	30,500	440	VI 6019 W (230V)	----	VI 6019 X	VI6019T-X	----	VI6019HL-X

*See page 113 for information on hazardous location models.

Dimensions "VI" Series				
Diameter	HP	A	B	C
24"	ALL	30 3/4"	30 3/4"	20"
30"	ALL	34 3/4"	34 3/4"	20"
36"	UP TO 1.5 HP	40 3/4"	40 3/4"	20"
	2 HP AND UP	40 3/4"	40 3/4"	30"
42"	UP TO 1.5 HP	46 3/4"	46 3/4"	20"
	2 HP AND UP	46 3/4"	46 3/4"	30"
48"	UP TO 1.5 HP	52 3/4"	52 3/4"	20"
	2 HP AND UP	52 3/4"	52 3/4"	30"
54"	ALL	62 7/8"	62 7/8"	30"
60"	ALL	68 7/8"	68 7/8"	30"



EXHAUST AND SUPPLY FANS: THE VI SERIES

501-982-7558 ▶ TriangleFans.com

