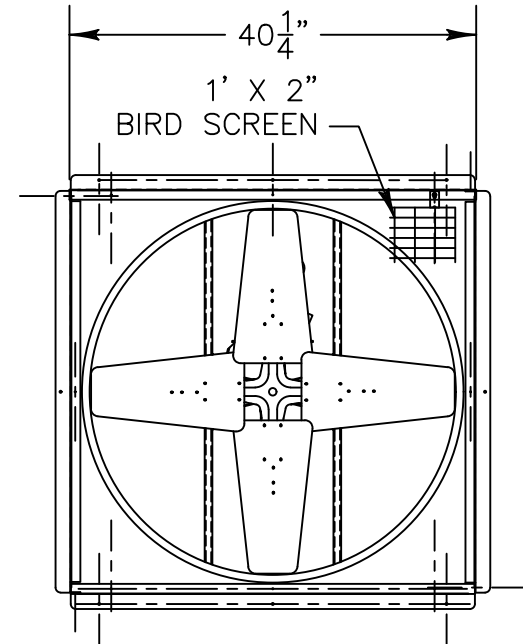
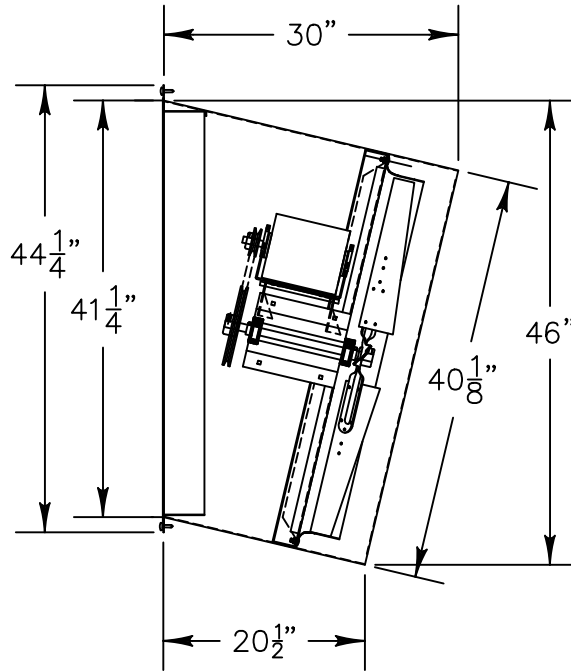
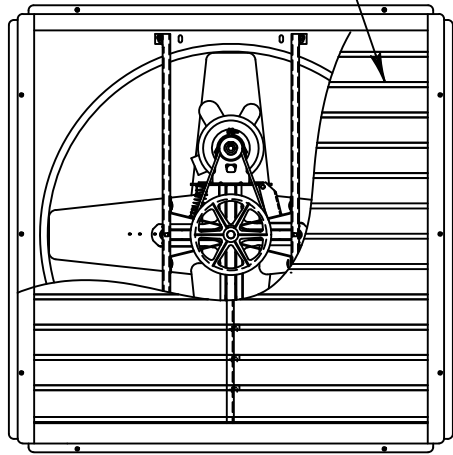


SHUTTER SHOWN  
CUTAWAY FOR CLARITY



## Fan Specifications

Blade Diameter:	36"	Motor Enclosure:	TEAO
Drive:	Belt	Duty Cycle:	Continuous Duty
Horsepower:	1/2	Guard:	1"X2" Bird Screen
Voltage:	230	Power Cord:	10' with molded plug
Phase:	1		
RPM:	550		

\*See TriangleFans.com for performance specifications

\*Specifications are subject to change without notice



SLW3613

NOT TO SCALE | 7 AUG 2019