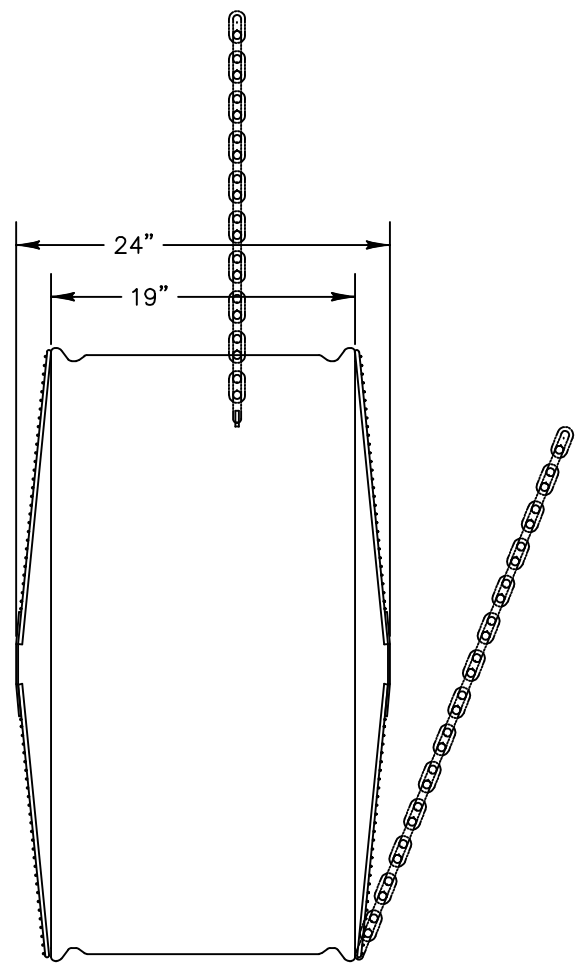


CHAIN PROVIDED BY CUSTOMER



Fan Specifications

Blade Diameter:	36"	Motor Enclosure:	Hazardous Location
Drive:	Belt	Duty Cycle:	Continuous Duty
Horsepower:	1/2	Guards:	OSHA Compliant, Spiral Wound
Voltage:	115/230	Power Cord:	N/A
Phase:	1		
RPM:	500		

*See TriangleFans.com for performance specifications
 *Specifications are subject to change without notice



SEB3613HL-U

NOT TO SCALE | 15 JUN 2018