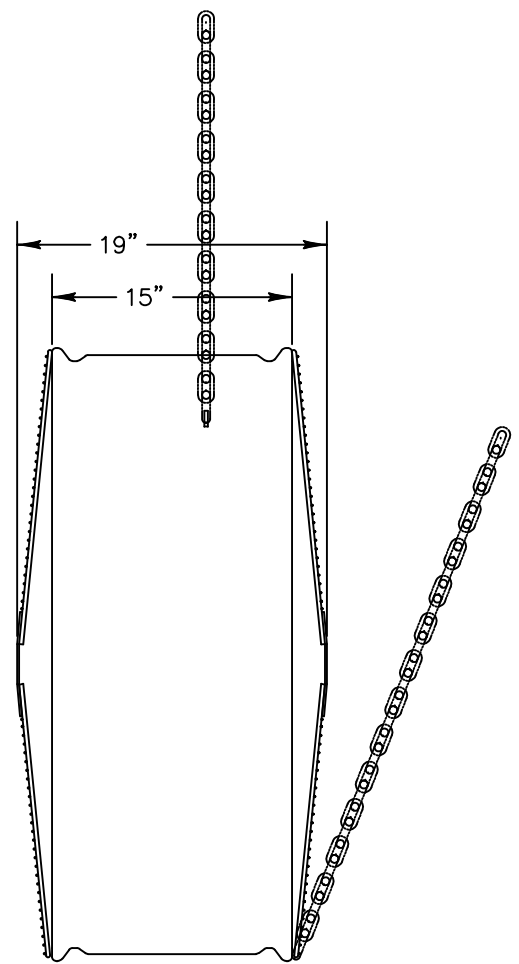


CHAIN PROVIDED BY CUSTOMER



Fan Specifications

Blade Diameter:	36"	Motor Enclosure:	ODP
Drive:	Belt	Duty Cycle:	Continuous Duty
Horsepower:	1/2	Guards:	OSHA Compliant, Spiral Wound
Voltage:	115	Power Cord:	10' with molded plug
Phase:	1		
RPM:	500		

\*See TriangleFans.com for performance specifications  
 \*Specifications are subject to change without notice



SEB3613  
 NOT TO SCALE | 15 JUN 2018