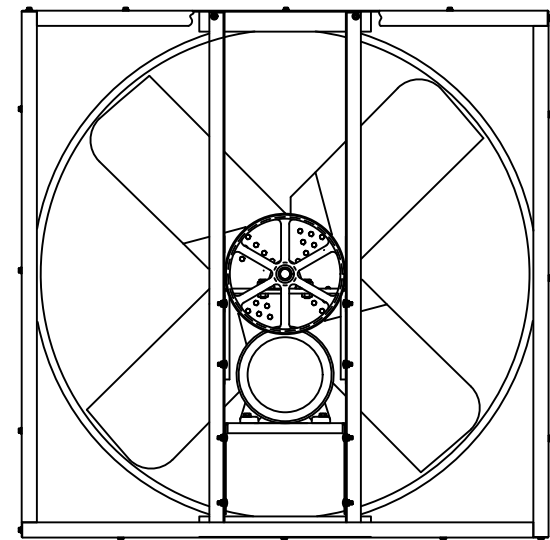
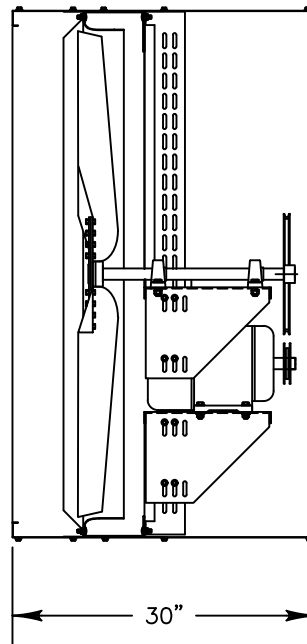


INTAKE VIEW



DISCHARGE VIEW

### Supply Fan Specifications

|                 |         |                  |                 |
|-----------------|---------|------------------|-----------------|
| Blade Diameter: | 60"     | Motor Enclosure: | TEFC            |
| Drive:          | Belt    | Duty Cycle:      | Continuous Duty |
| Horsepower:     | 5       | Guards:          | N/A             |
| Voltage:        | 230/460 | Power Cord:      | N/A             |
| Phase:          | 3       |                  |                 |
| RPM:            | 650     |                  |                 |

\*See TriangleFans.com for performance specifications  
 \*Specifications are subject to change without notice



RV16019T-X

NOT TO SCALE | 7 OCT 2015