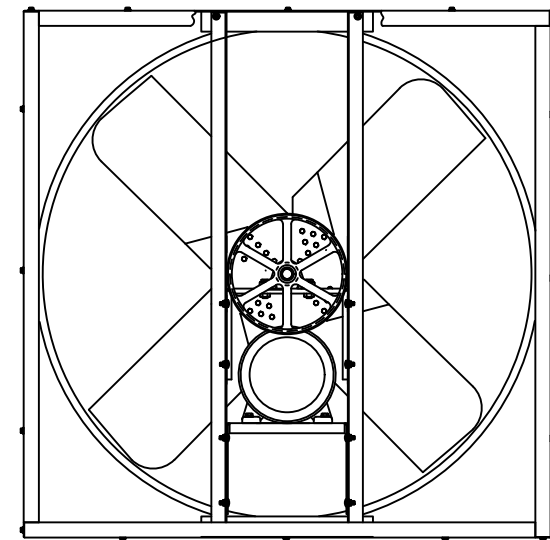
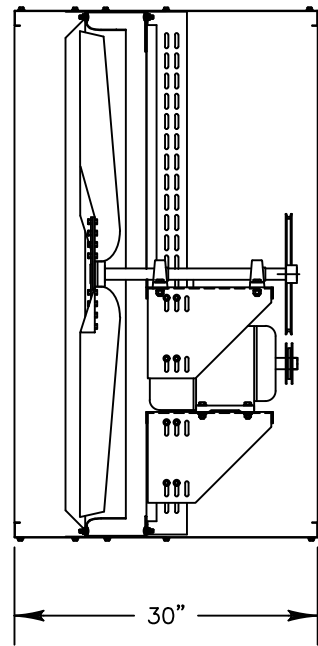


INTAKE VIEW



DISCHARGE VIEW

**Supply Fan Specifications**

Blade Diameter:	48"	Motor Enclosure:	TEFC
Drive:	Belt	Duty Cycle:	Continuous Duty
Horsepower:	3	Guards:	N/A
Voltage:	230/460	Power Cord:	N/A
Phase:	3		
RPM:	610		

\*See TriangleFans.com for performance specifications  
 \*Specifications are subject to change without notice

 <b>TRIANGLE</b> ENGINEERING	RVI4818T-X
	NOT TO SCALE   6 OCT 2015