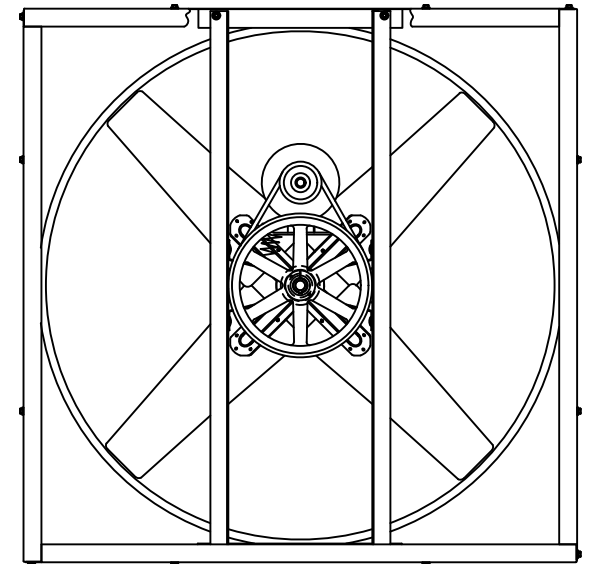
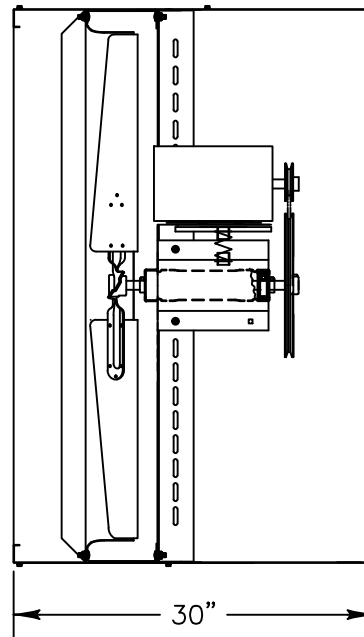


INTAKE VIEW



DISCHARGE VIEW

Supply Fan Specifications

Blade Diameter:	48"	Motor Enclosure:	ODP
Drive:	Belt	Duty Cycle:	Continuous Duty
Horsepower:	1	Guards:	N/A
Voltage:	115/230	Prewired:	115v
Phase:	1	Power Cord:	10' with molded plug
RPM:	470		

*See TriangleFans.com for performance specifications

*Specifications are subject to change without notice

 TRIANGLE ENGINEERING	RVI4815-U
	NOT TO SCALE 6 OCT 2015