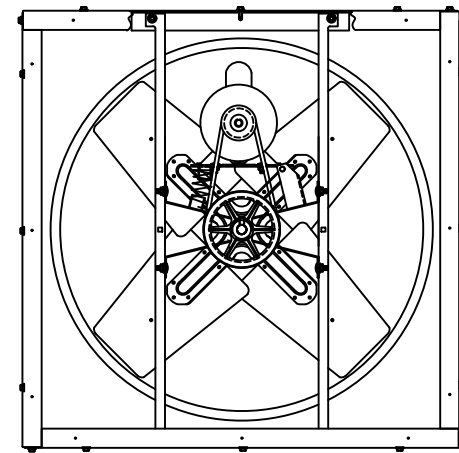
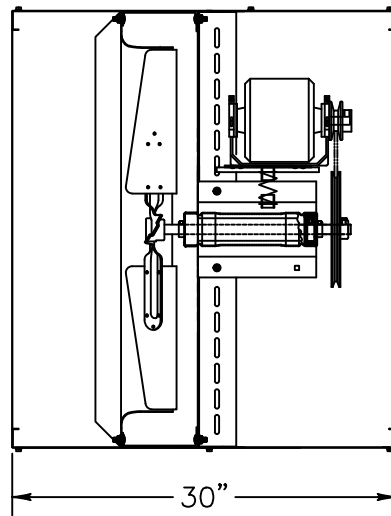


INTAKE VIEW



DISCHARGE VIEW

Supply Fan Specifications

| | |
|---------------------|----------------------------------|
| Blade Diameter: 30" | Motor Enclosure: ODP |
| Drive: Belt | Duty Cycle: Continuous Duty |
| Horsepower: 3/4 | Guards: N/A |
| Voltage: 115/230 | Prewired: 115v |
| Phase: 1 | Power Cord: 10' with molded plug |
| RPM: 740 | |

*See TriangleFans.com for performance specifications
 *Specifications are subject to change without notice



RVI3014-U

NOT TO SCALE | 1 OCT 2015