

| Diameter | HP  | CFM<br>0.0 SP | 0.125<br>SP | 0.25<br>SP | Approximate<br>Weight | 1-Phase                       |                                    | 3-Phase                           |
|----------|-----|---------------|-------------|------------|-----------------------|-------------------------------|------------------------------------|-----------------------------------|
|          |     |               |             |            |                       | Open Drip Proof<br>Motor 115V | Totally Enclosed<br>Motor 115/230V | Open Drip Proof<br>Motor 230/460V |
| 24"      | 1/3 | 3,920         | 2,070       | 930        | 53                    | RV2412-V                      |                                    |                                   |
| 30"      | 1/3 | 6,420         | 4,980       | 1,790      | 55                    | RV3012-V                      |                                    |                                   |
|          | 1/2 | 9,560         | 7,770       | 4,850      | 68                    | RV3013-V                      | RV3013T-U                          | RV3013-X                          |
| 36"      | 1/2 | 10,900        | 9,160       | 4,310      | 71                    | RV3613-V                      | RV3613T-U                          | RV3613-X                          |
| 42"      | 1/2 | 14,200        | 11,600      | 5,470      | 90                    | RV4213-V                      | RV4213T-U                          | RV4213-X                          |
| 48"      | 1/2 | 17,100        | 11,500      | 3,900      | 106                   | RV4813-V                      | RV4813T-U                          | RV4813-X                          |
|          | 3/4 | 18,100        | 13,800      | 6,370      | 110                   | RV4814-U*                     |                                    |                                   |

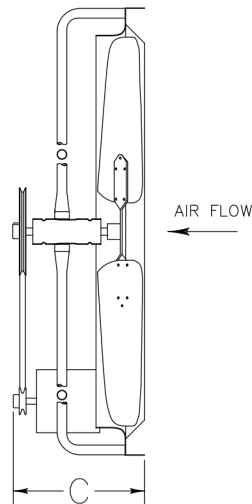
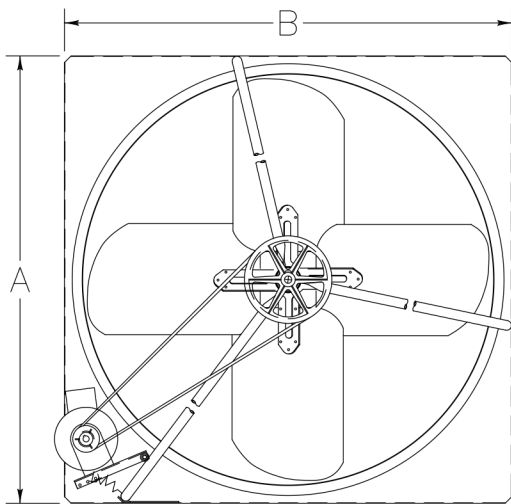
\*All weights are approximate and measured in pounds

\*Dual Voltage, single phase and prewired 115v

| Dimensions "RV" Series |     |     |         |
|------------------------|-----|-----|---------|
| Diameter               | (A) | (B) | (C)     |
| 24"                    | 30" | 30" | 16 1/4" |
| 30"                    | 34" | 34" | 16 1/4" |
| 36"                    | 40" | 40" | 16 1/4" |
| 42"                    | 46" | 46" | 16 1/4" |
| 48"                    | 52" | 52" | 16 1/4" |

| OPTIONAL TEMP CONTROL |              |
|-----------------------|--------------|
| Thermostat            | TS-115/230-1 |

TS-115/230-1: Only compatible with single phase motors up to 1 HP



Performance shown is for installation type A: free inlet and free outlet and does not include the effects of accessories  
All units are made to order and are not returnable