



JETAIRE™ HIGH VELOCITY

Triangle's JetAire high velocity fans are manufactured with durable polypropylene barrels and equipped with totally enclosed motors. Our 54" model is built with a bronze polyester powder coated steel housing. JetAire high velocity fans are ideal for industrial, commercial and golf course applications.

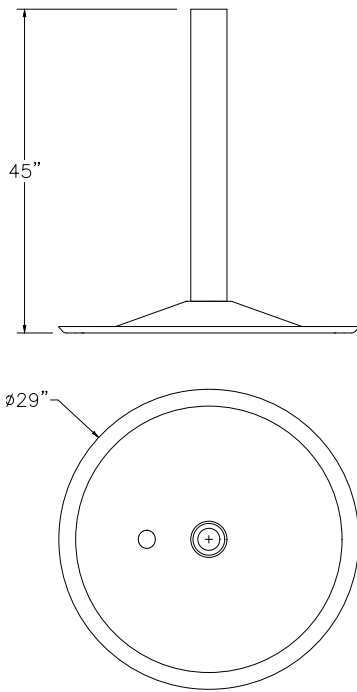
Features

- Available in 24", 30" and 54" diameters
- Moves a large concentration of air at distances of 100' or more
- Tiltable head for desired direction of airflow
- Available in Hunter Green or Industrial Gray
- Oscillator available in 115, 230, or 460 volt

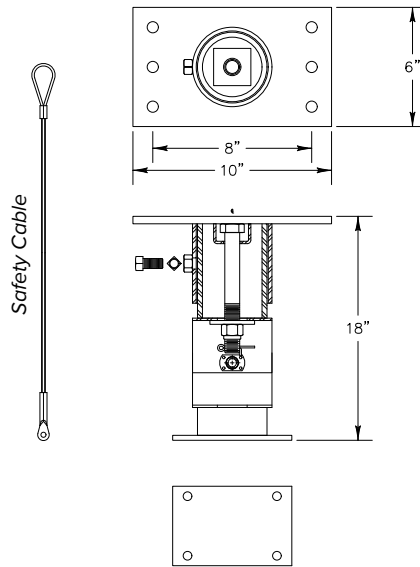


MOUNTING EQUIPMENT (DIRECT DRIVE JETAIRE™ ONLY)

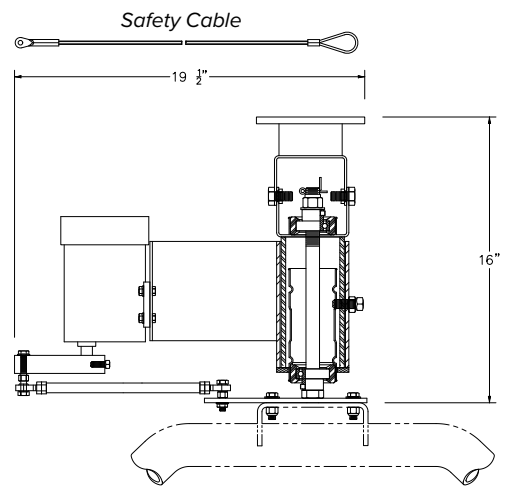
Triangle's JetAire is designed to accommodate a wide range of mounting options. Our mounting options include a pedestal base for maneuverability, a vertical mounting bracket for ceiling attachments (safety cable included), a horizontal mounting bracket for column mounts and 6' or 10' poles for permanent in concrete placement. All JetAire mounting equipment is fabricated out of steel and finished with a bronze polyester powder coat.



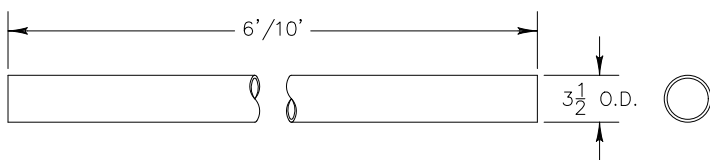
Pedestal Base



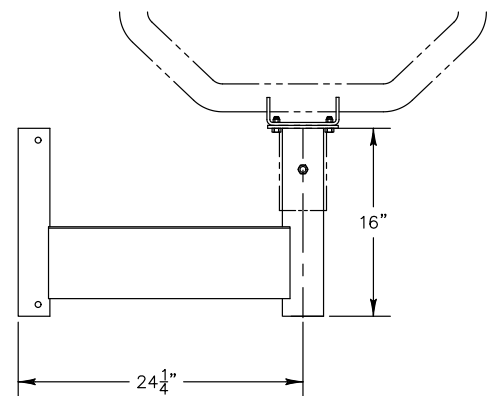
Vertical Mounting Bracket
(Non-Oscillating)



Vertical Mounting Bracket
(Oscillating)



Pole



Horizontal Mounting Bracket



BELT DRIVE JETAIRE

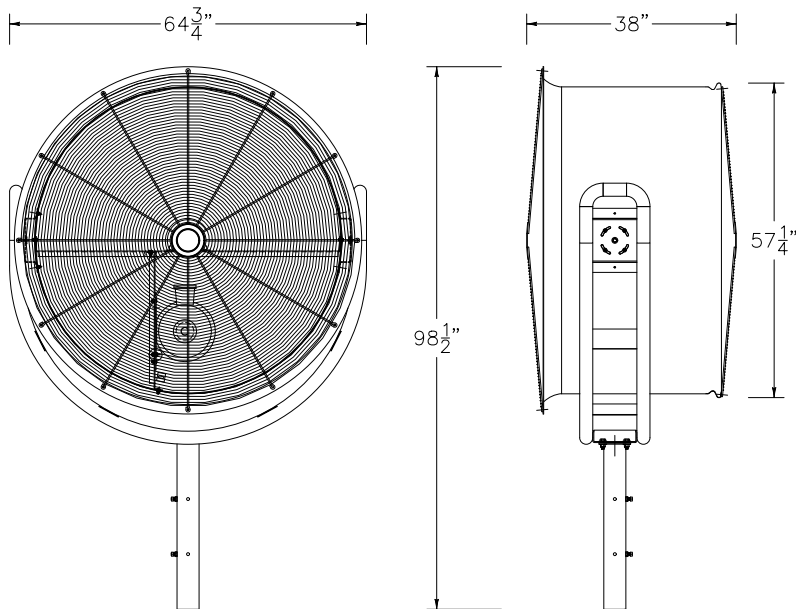
- Belt drive
- Available with or without oscillation
- Single- or three-phase motors
- Bronze polyester powder coat finish
- Totally enclosed motors

WITHOUT AN OSCILLATOR

Diam.	HP	CFM	Approx. Weight	1-Phase	3-Phase	
				230V	230V	460V
54"	3	27,900	513	HV5418-W	HV5418-Y	HV5418-Z
	5	42,500	548	HV5419-W	HV5419-Y	HV5419-Z

WITH AN OSCILLATOR

Diam.	HP	CFM	Approx. Weight	1-Phase	3-Phase	
				230V	230V	460V
54"	3	27,900	513	HV5418OC-W	HV5418OC-Y	HV5418OC-Z
	5	42,500	548	HV5419OC-W	HV5419OC-Y	HV5419OC-Z



HIGH VELOCITY FANS: JETAIRE FANS AND MOUNTS

sales@trianglefans.com ▶ 501-982-7558 ▶ TriangleFans.com