



FHIR SERIES REVERSIBLE FANS

Triangle's "FHIR" series industrial grade true reversible wall fans come in belt or direct drive models and are ideal for applications that have supply or exhaust needs out of the same fan. Triangle "FHIR" series industrial grade true reversible wall fans come with a true, bidirectional venturi and bi-directional airfoil blades. The combination of the two prevent the traditional loss of performance associated with traditional "reversible" fans.

Features

- Reversible totally enclosed motor
- Welded construction
- Comes standard with galvanized wall housing
- Comes standard with reversing switch
- Polyester powder coated venturi panel

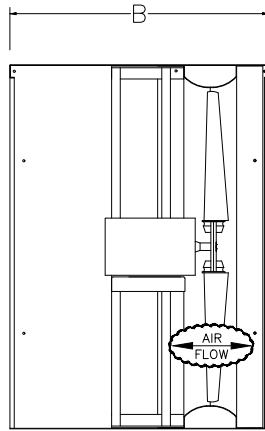
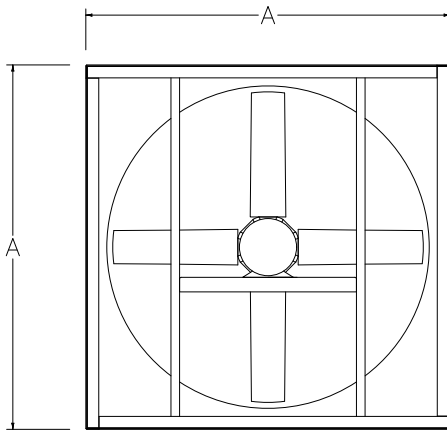




DIRECT DRIVE FHIR

- Reversible totally enclosed motor
- Welded construction
- Comes standard with galvanized wall housing
- Comes standard with reversing switch
- Polyester powder coated venturi panel

| Diameter | HP | RPM | Performance | | | 1-Phase | 3-Phase |
|----------|----|------|-------------|-----------|----------|----------------|----------------|
| | | | 0.0" SP | 0.125" SP | 0.25" SP | 115/230V | 230/460V |
| 30" | 1 | 1160 | 8,700 | 8,000 | 7,000 | FHIR3015T-U-DD | FHIR3015T-X-DD |
| | 2 | 1160 | 11,500 | 10,750 | 9,500 | FHIR3017T-U-DD | FHIR3017T-X-DD |
| 36" | 1 | 860 | 12,500 | 11,800 | 8,400 | FHIR3615T-U-DD | FHIR3615T-X-DD |
| | 2 | 1160 | 13,500 | 12,700 | 11,800 | FHIR3617T-U-DD | FHIR3617T-X-DD |
| 48" | 1 | 860 | 14,900 | 12,700 | 10,600 | FHIR4815T-U-DD | FHIR4815T-X-DD |
| | 2 | 860 | 22,200 | 20,100 | 17,900 | FHIR4817T-U-DD | FHIR4817T-X-DD |
| | 3 | 860 | 28,100 | 26,200 | 23,900 | --- | FHIR4818T-X-DD |



| Dimensions "FHIR" Series | | |
|--------------------------|---------|-----|
| Diameter | A | B |
| 30" | 36 3/8" | 30" |
| 36" | 42 1/4" | 30" |
| 48" | 54 1/4" | 34" |

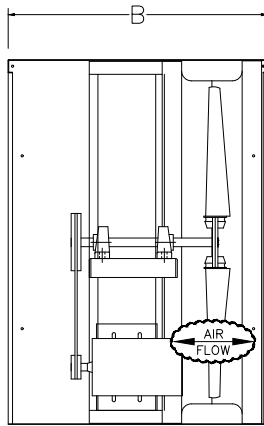
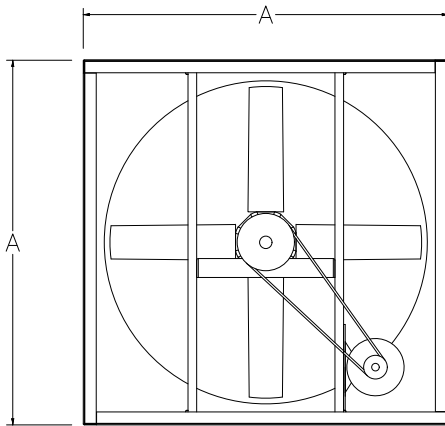




BELT DRIVE FHIR

- Reversible totally enclosed motor
- Welded construction
- Comes standard with galvanized wall housing
- Comes standard with reversing switch
- Polyester powder coated venturi panel
- Pillow block bearings

| Diameter | HP | RPM | Performance | | | 1-Phase | 3-Phase |
|----------|----|------|-------------|-----------|----------|----------------|----------------|
| | | | 0.0" SP | 0.125" SP | 0.25" SP | 115/230V | 230/460V |
| 30" | 1 | 980 | 8,400 | 7,200 | 5,500 | FHIR3015T-U-BD | FHIR3015T-X-BD |
| | 2 | 1250 | 10,700 | 9,800 | 8,800 | FHIR3017T-U-BD | FHIR3017T-X-BD |
| 36" | 1 | 821 | 11,100 | 9,800 | 8,300 | FHIR3615T-U-BD | FHIR3615T-X-BD |
| | 2 | 1035 | 14,000 | 13,200 | 11,900 | FHIR3617T-U-BD | FHIR3617T-X-BD |
| 48" | 1 | 493 | 19,800 | 16,300 | 8,500 | FHIR4815T-U-BD | FHIR4815T-X-BD |
| | 2 | 616 | 24,800 | 22,100 | 18,300 | FHIR4817T-U-BD | FHIR4817T-X-BD |
| | 3 | 706 | 28,300 | 26,100 | 23,400 | FHIR4818T-U-BD | FHIR4818T-X-BD |



| Dimensions "FHIR" Series | | |
|--------------------------|---------|-----|
| Diameter | A | B |
| 30" | 36 3/8" | 30" |
| 36" | 42 1/4" | 30" |
| 48" | 54 1/4" | 34" |

