

THE MASTER BREEZE™

Triangle's Master Breeze pedestal fans have a superior design and proven performance that provide powerful, convenient air circulation wherever its needed. Master Breeze fans are perfect for factories, shops, garages and event venues.

Features

- Easy to assemble
- Balanced three paddle aluminum blade
- 115V, 60Hz, single phase motors with thermal overload protection
- Three-speed motor
- 10' power cord

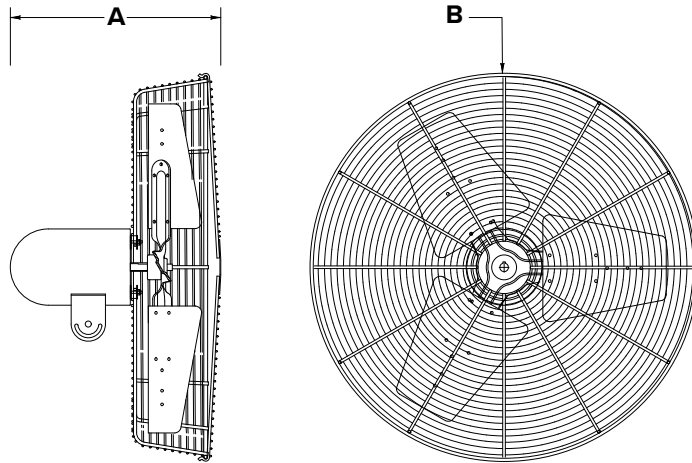


MASTER BREEZE STANDARD HEAD

Model	Diameter	HP	Amps	CFM	RPM	Approximate Weight
AMB2421H	24"	1/4	2.6	6,100 / 4,300	1075	45
AMB2423H	24"	1/2	6.2	7,800 / 5,300	1100	63
AMB3021H	30"	1/4	2.6	7,200 / 5,400	1075	48
AMB3023H	30"	1/2	6.2	8,800 / 6,400	1100	66

MASTER BREEZE OSCILLATING HEAD

Model	Diameter	HP	Amps	CFM	RPM	Approximate Weight
AMB2421H-OC	24"	1/4	2.7	6,200/5,000	1100	48
AMB3021H-OC	30"	1/4	2.7	7,300/5,800	1100	52



Dimensions "AMB" Series

Diameter	A	B
24"	16"	28"
30"	16"	34"

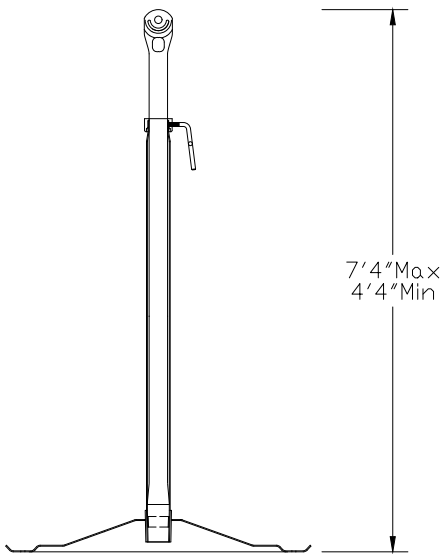
Available Mounting Equipment

Description	Part Number
Pedestal Base	2430PB-AMB
Column Mount	2430WC
Ceiling Mount (Oscillating Models)	2430HBOC
Ceiling Mount (Standard Models)	2430S
Wheel Kit for Pedestal Base	2430WK

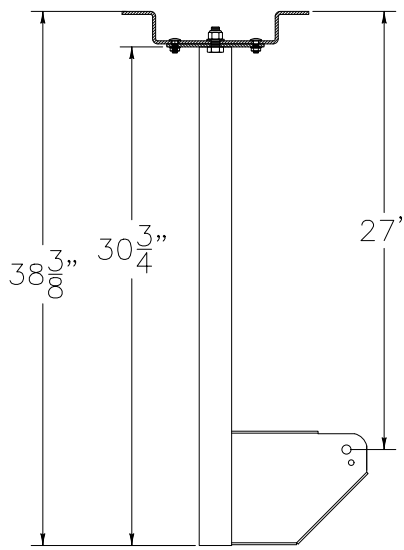


MASTER BREEZE MOUNTING EQUIPMENT

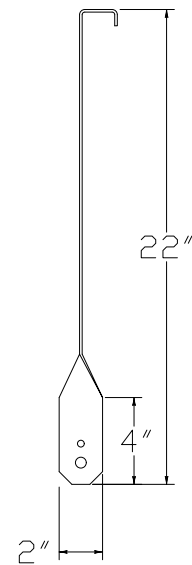
Triangle's Master Breeze is designed to accommodate a wide range of mounting options. Our mounting options include a pedestal base, a ceiling mount for oscillating models and standard models, a column mount and a wheel kit that can be attached to the pedestal base for maneuverability. Mounting hardware not included.



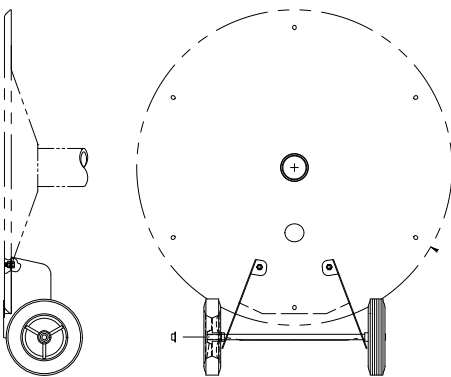
Pedestal Base



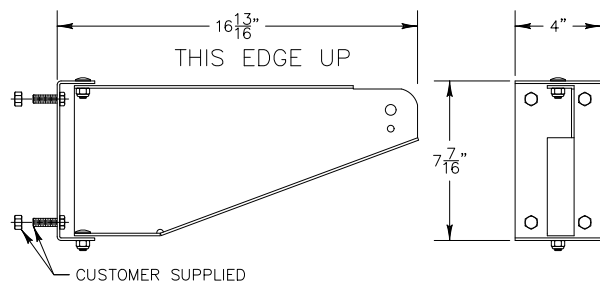
Suspension Mount
(Oscillating Models)



Suspension Mount
(Standard Models)



Wheel Kit



Column Mount

