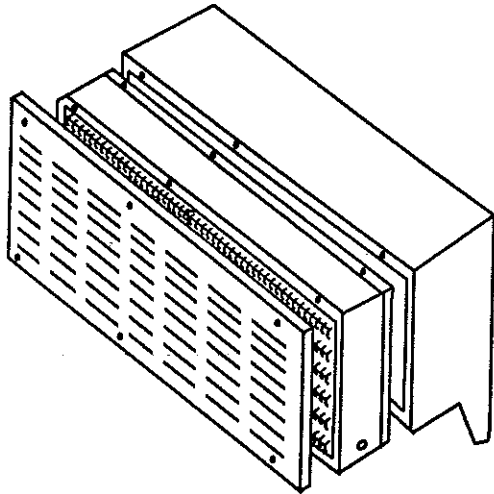


AIR CURTAIN HEAT PACKAGE (ELECTRIC) INSTALLATION INSTRUCTIONS MODEL CFHTR - 3 KW THROUGH 15 KW



READ ALL WARNING STATEMENTS, NOTICES AND RETAIN INSTRUCTIONS FOR FUTURE REFERENCE

1. Make certain that the power source conforms to the electrical requirements of the unit. Disconnect power before installing or servicing. If the power disconnect is out of sight, lock it in the open position and tag it to prevent unexpected application of power. Failure to do so could result in fatal electrical shock.

WARNING: DO NOT DEPEND UPON A THERMOSTAT OR OTHER SWITCH AS THE SOLE MEANS OF DISCONNECTING POWER WHEN INSTALLING OR SERVICING THE UNIT. ALWAYS DISCONNECT POWER AT THE MAIN CIRCUIT BREAKER AS DESCRIBED ABOVE. FAILURE TO DO SO COULD RESULT IN FATAL ELECTRIC SHOCK.

2. This product is intended ONLY for permanent indoor installation in accordance with the National Electrical Code (NEC), all applicable local codes and ordinances, and all sections of this manual. Any variance voids the warranty and may create unsafe conditions. All wiring should be done by a qualified electrician, using copper conductors only.

3. Special attention must be given to any grounding information pertaining to this product to prevent the risk of electrocution, the unit must be securely and

adequately grounded. This should be accomplished by connecting a grounded conductor between the service panel and the grounding lug provided in the wiring compartment. To ensure a proper ground, the grounding means must be tested by a qualified electrician.

4. Do not insert fingers or foreign objects into the air curtain. Do not block or tamper with in any manner while it is in operation. Do not touch it while in operation or just after it has been turned off, as some parts may be hot enough to cause injury.

5. This product must NOT be used in potentially dangerous locations such as flammable, explosive chemical-laden or wet atmospheres.

6. Do not attach ductwork to this product or attempt to use it as a make-up air heater. Such use voids the warranty and may create unsafe conditions.

7. Heater is to be installed at least 6 feet from floor.

8. Do not block heater grille or discharge vanes in any manner.

TPI Corporation
Gray, Tennessee 37615

INSTALLATION

Air Curtain should be installed and in place. Refer to instructions furnished with selected Air Curtain. Following is a listing of basic units which describes equipment match

BASIC AIR CURTAIN

CF 36 or CFHD 36
CF 48 or CFHD 48
CF 60 or CFHD 60

BASIC HEAT PACKAGE

CFHTR 36
CFHTR 48
CFHTR 60

1. Remove grille front from installed unit - save all hardware.
2. Unplug motor cable at wiring compartment cover located at right end of air curtain. Plug is released from locking projections by squeezing them and, withdrawing plug at the same time. Note direction of one way tab on plug for reassembly reference.
3. Using #10-32 screws provided, partially install them in bottom front of air curtain. Using the partially

inserted screw body as locators, assemble heat package on screws, engaging open slots provided on lower flange of unit. With the aid of another person, tilt the assembly forward enough to allow access to motor plug and receptacle on wiring compartment cover. With keyed one-way plug/receptacle combination, align and plug in cable from motor into receptacle in lower side wall of element and control box enclosure. Insert plug extending from back of control box into receptacle on right end junction box cover. The interchange of plug and receptacle is all that is needed to interlock air curtain with heat package.

4. Secure heat package to air curtain with #10-32 screws provided. Do not install front cover grille until completion of wiring

WIRING OF HEAT SECTION

Choose correct wire size and over current protection as required by NEC and local codes - see nameplate for heater loads and recommended wire size.

1. Remove Cover Knockouts are located at right end of unit and right end bottom. Choosing the most convenient knockout, connect to box lugs on power contactor. It is recommended that flexible conduit be used to reduce the probability of unwanted vibrations.

2. A 120 V, 15 Amp HZ source is to be provided for receptacle located on underside of right end of heat package. Use twist connectors provided to make connections.

3. Control wiring is to be connected to control block located in wiring compartment near top. Use a suitable heat/cool low voltage thermostat.

CONTROL SYSTEM

With heater properly attached to air curtain, the combined system converts to 24 volt control. Select the proper low voltage thermostat with fan only, heat - cool, including manual or auto function. All controlling of the heat should be done with the thermostat. The heater is equipped with a fan delay - off (approximately 100 seconds). this will allow full cool-down of elements and heater case. Avoid switching

heater OFF with the speed selector switch on air curtain. To do so will not create a hazard, but it is possible that over temperature device may open the control circuit. Heater will be inoperative until safety control resets. If this condition should occur, set speed switch to on position and the "Fan Only" switch on at thermostat. This will cause control to reset within a few seconds.

THERMOSTAT FUNCTIONS

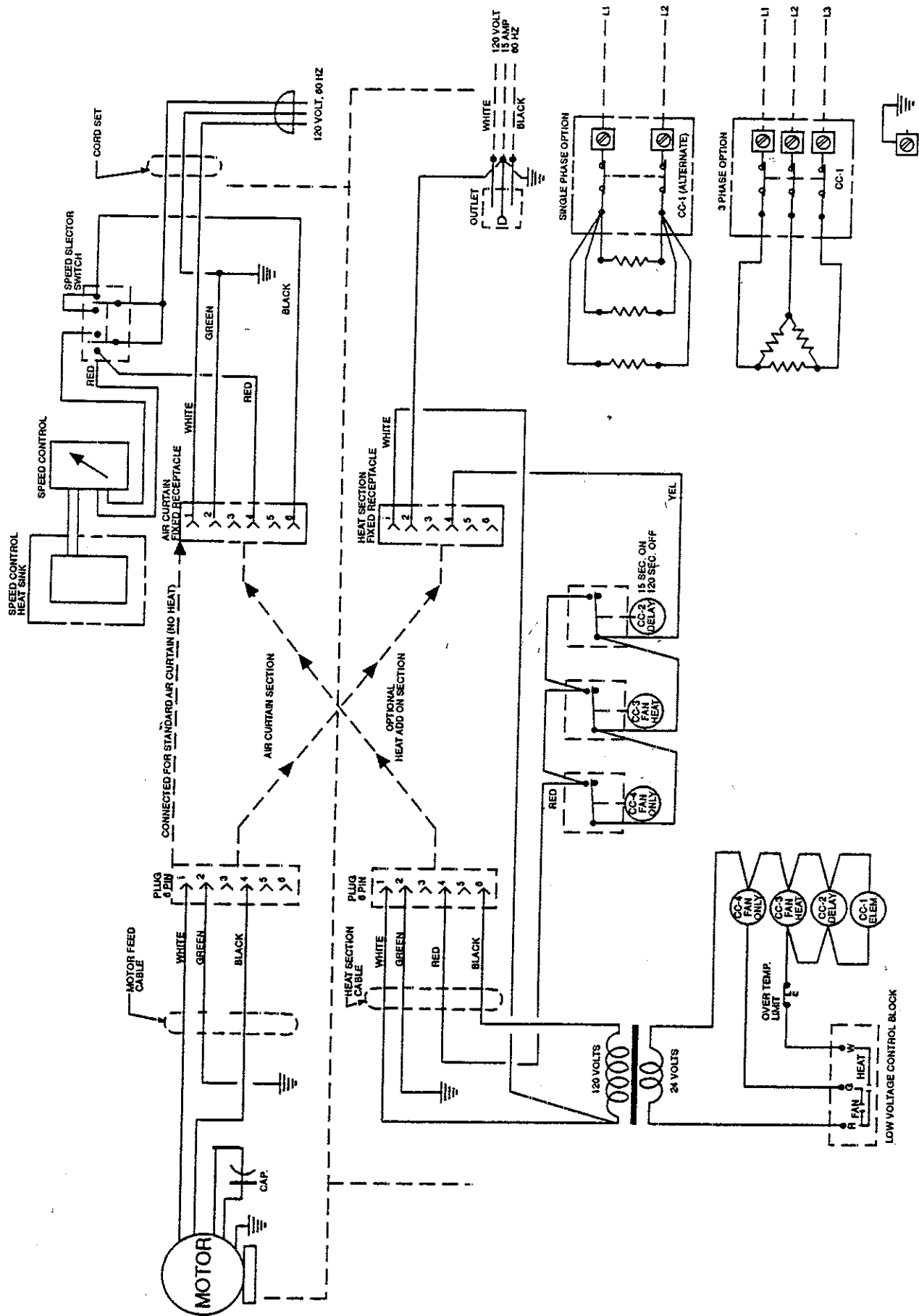
Heat - Auto Heater will operate and shut off with temperature rise. Fan off after delay
Heat - On Heat will shut off with temperature rise. Fan on constant

Cool - Auto Fan will shut off when temperature falls
Cool - On Fan runs continuous

24V Control Circuit (50 VA)

Fan Only .15 Amps
Heat .71 Amps

Do not spark control leads - transformer will be permanently inoperative - device has embedded one-time fuse



SAFETY INSTRUCTIONS:

The important safety instructions provided with the applicable listed fans shall be separated in format from other instructions; appear before the operating instructions; and include the following statements in addition to those specified in the individual descriptive sections:

"WARNING - TO REDUCE THE RISK OF FIRE, ELECTRIC SHOCK OR INJURY TO PERSONS, OBSERVE THE FOLLOWING:

Use this unit only in the manner intended by the manufacturer. If you have questions, contact the manufacturer.

Before servicing or cleaning unit, switch power off at service panel and lock service panel to prevent power from being switched on accidentally.

Installation work and electrical wiring must be done by qualified person(s) in accordance with all applicable codes and standards, including fire-rated construction.

When cutting or drilling into wall or ceiling, do not damage electrical wiring or other hidden utilities."