

Plant ID# 001-4131

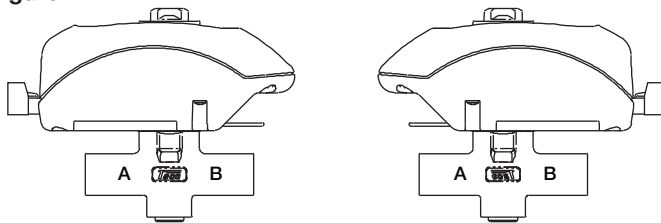
Application:

The Geo-Sentry® Zone Valve provides on-off control and is available in normally open or normally closed configurations. It is especially suited for use in either open or closed loop geothermal systems with water source heat pumps.

Ease of Installation / Operation:

The Geo-Sentry® is the most technologically advanced zone valve ever made. It's also simple to install and operate. The valve can be installed in any direction, in any orientation except for chilled water installations (see Figure B). We then went a step further, allowing the actuator to be mounted to the valve body in either direction (see Figure A). Snap-in quick connects on the back of the valve make for a simple, secure and fast wiring hook-up. A green LED light shows full functionality of the valve's operation and thermostat status. Under a no power situation the manual override button located on the top of the valve allows the ball to be rotated up to 90° and is also marked with a slot to indicate the position of the valve.

Figure A



Two Position Head Placement.
Universal Body Placement.
May be installed in any position, any orientation.

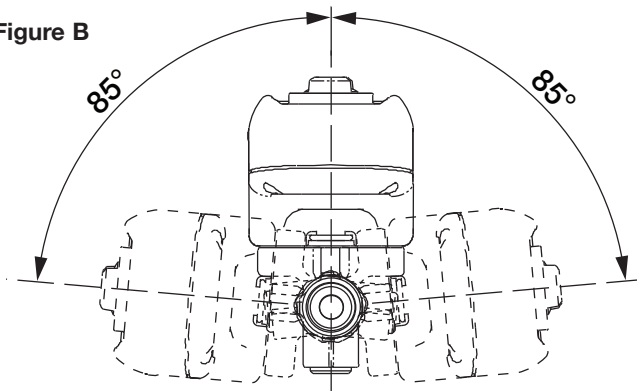
NOTE: Threaded valves (2-way and 3-way) should be installed using proper plumbing techniques for NPT threads.

CAUTION: Sand or other contaminants can damage the valves internal components and cause it to fail prematurely. Precautions must be taken to prevent contaminants from damaging the valve.

2-Way Valve Installation:

1. On hot water applications, the valve body may be installed in any orientation. On chilled water installations, do not install with the actuator beyond 85° from the topmost position (see Figure B).

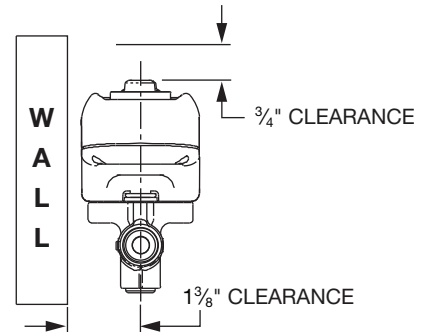
Figure B



Permitted Angle of Installation on Chilled Water Applications

2. Before mounting the body, refer to Figure C for any clearance requirements.

Figure C



CAUTION: Actuator must be removed from the valve body before soldering (see Figure D). Ball valve must be in the full open position before soldering. Valve shipped in the closed position.

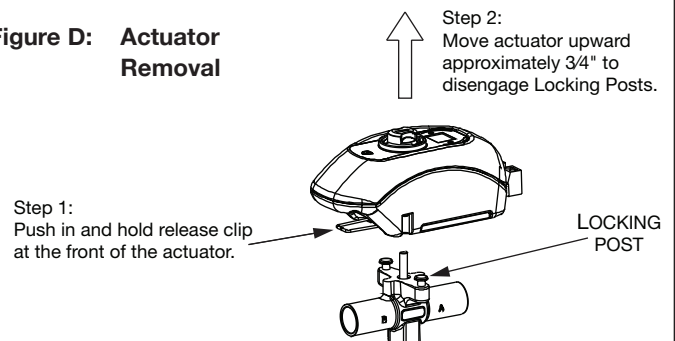
3. Use of a solder with a melting point below 600°F is recommended. Do not overheat! Make sure the ball valve is in the FULL OPEN position during soldering. Direct flame tip away from the center of the valve. Cool valve quickly with a wet cloth.
4. Solder build-up on the ball valve may prevent proper opening and closing of the valve. Actuate the actuator once or twice and make sure the valve rotates fully.
5. Valve body can be submerged for leak testing before the actuator is attached.

NOTE: Some power robbing thermostats require the use of a resistor (always use the resistor provided by the thermostat manufacturer with the Zone Sentry). Consult the thermostat instructions for the resistor installation.

Actuator Installation / Wiring:

1. Actuator Removal: Remove the valve actuator prior to soldering by pushing in and holding the release clip at the front of the actuator and lifting upward approximately 3/4" (see Figure D).
2. To re-assemble the actuator to the valve body: Position actuator such that the "D" shaped valve stem aligns properly with the "D" shaped actuator drive cavity. (Note: The "D" shaped stem design allows for correct insertion every time.) Next, slide the

Figure D: Actuator Removal



valve stem into the actuator cavity, push in and hold the release clip until the actuator slips over the valve locking posts (see Figure D). Once the actuator is flush to the valve body, let go of the release clip. Using very little force, try to take the actuator off of the valve body without using the release clip. Both locking posts should be firmly attached to the actuator. If the actuator slides up the stem, repeat the assembly process.

3. Changing the actuator orientation: The actuator may be attached to the valve body in either direction (see Figure A). In order to reverse the actuator orientation on the valve body, see the actuator removal instructions in Step 1 with the following exceptions. Instead of moving the actuator the full $\frac{3}{4}$ ", move it just high enough to clear the locking posts, rotate the actuator 180° and reinstall it on the locking post by following the previous instructions for reassembling the actuator.
4. The plug-in quick connects can be disconnected from the valve actuator for ease of wiring. Insert the corresponding wire into the quick connects and tighten by turning the screw.

CAUTION: Do not jumper power/motor (24 VAC) connection terminals, even temporarily. This may cause damage to the thermostat's heat anticipator.

Mode of Operation:

1. Upon initial field installation the capacitor requires a full charge, up to 35 seconds, before the valve starts to turn. Charging time will vary (typically less) during normal operation.
2. When the capacitor is charging the green LED light will FLASH.
3. Once the capacitor is charged, the green LED will stop flashing but remain ON. At this point the valve's actuator will rotate the ball valve. The green LED will remain ON as long as the thermostat is calling (the unit is powered).
4. Once the thermostat is satisfied the green LED will turn OFF and the valve will rotate 90° into its normal position or non-powered position. For example: If the actuator is an NC (normally closed) version, the actuator would open the valve when the thermostat calls. Once the thermostat is satisfied the actuator would then rotate the valve 90° to its normally closed position.

WARNING: Do not use zone valves on indirect water heaters without a tempering device.

3-Way Valve Installation:

On hot water applications, the valve body may be installed in any orientation. On chilled water installations, do not install with the actuator beyond 85° from the topmost position (see Figure B).

1. Remove actuator from the valve body per previous instructions. (See **Actuator Installation / Wiring** and Figure D).
2. Open the valve to the full open position of the first port to be soldered (port A or B).
3. Clean and prepare the valve and pipe using the proper techniques required prior to soldering.
4. Fit the valve into the piping system.
5. Solder the port of the valve that you placed in the full open position, directing the flame away from the center of the valve.
6. Turn the opening of the valve to the second port to be soldered. (the opposite port of the one just completed.)
7. Repeat step 5 for the second port.
8. Solder the third port (bottom port). This port is always in the full open position.
9. Immediately cool the valve with a wet towel.
10. Reassemble actuator to the valve body per previous instructions. (See **Actuator Installation / Wiring**) and **Typical Installations for 3-Way Valves** Figures E and F).

Figure E: Typical Installations for 3-way Valves Normally Closed to the Load

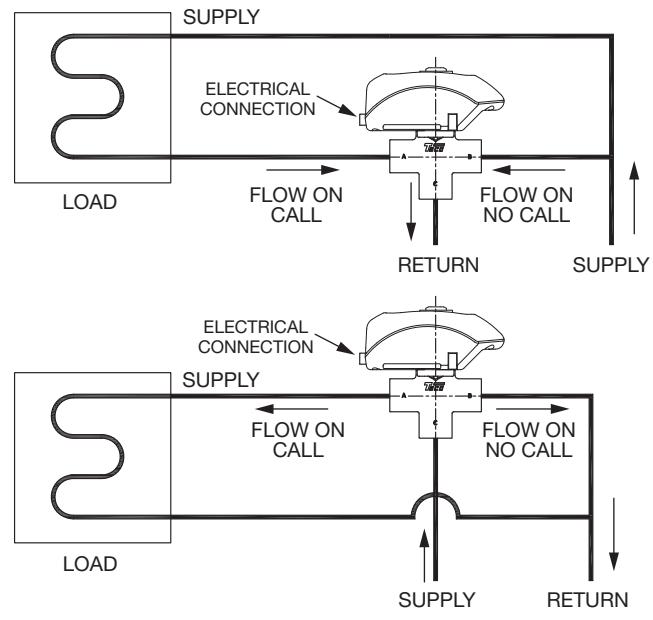
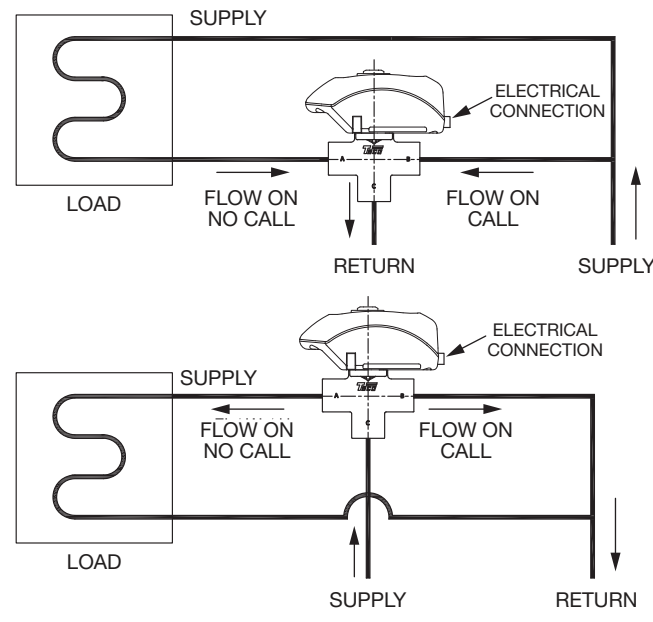


Figure F: Typical Installations for 3-way Valves Normally Open to the Load



NOTE for 3-Way: The actuator's electrical connections must be mounted over the port that requires flow when power is applied to the actuator. See Figures E and F.

Flow Coefficients and Maximum Close-Off Pressure:

VALVE SIZE	2-Way C _v (Kv)/Ft. of PIPE EQUIV.*	CLOSE-OFF PSI (kPa)	3-Way C _v (Kv)/Ft. of PIPE EQUIV.*
1/2"	4.9 (4.3) / 9.5	0-125 psi (0-862 kPa)	1.5 (1.3) / 111
3/4"	10.3 (8.9) / 8.4		3.3 (2.8) / 82
1"	8.9 (7.7) / 47.4		3.0 (2.6) / 411

* At 4' per second (maximum recommended flow rate is 8' per second).

Multi-status LED and Troubleshooting:

This troubleshooting table is intended as a helpful guide and is not all inclusive. There could be other causes and solutions for a non-functioning product.

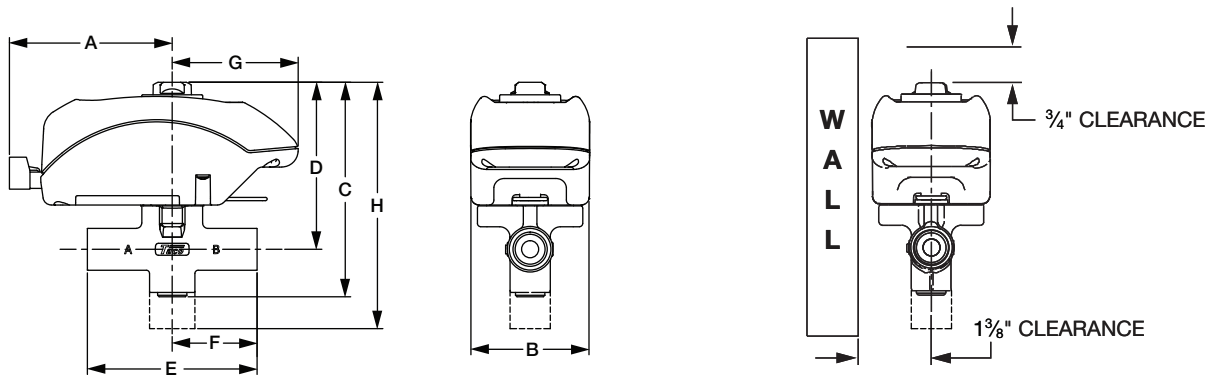
LED STATUS	INDICATES	POSSIBLE CAUSE	POSSIBLE SOLUTION
Not Illuminated	Power off	No call No power	Verify there is a call. Check for voltage at the actuator.
Steady blink (once per second)	Charging		
Solid	Power on		
Slow blink (once every 5 seconds)	Excessive charging time	Not enough VA	Reset the actuator (see note). Use a larger VA transformer or add an additional transformer.
		Too many valves per transformer	Reduce the number of valves. Use a different thermostat.
Double blink (twice every 5 seconds)	Excessive opening time	Obstruction in valve Buildup of contamination in valve	Reset the actuator (see note). Remove obstruction. Clean the valve and/or system. Replace valve.
		Failed actuator	Replace Actuator.

NOTE: Reset the actuator by removing power for 5 seconds and then restoring power.

Dimensions (for reference purposes):

English dimensions are in inches. Metric dimensions are in millimeters. Metric data is presented in ().

VALVE SIZE	A	B	C	D	E (Sweat)	E (Threaded)	F	G	H (3-Way)
1/2"	3 (76.2)	2 3/8 (60.3)	4 1/8 (104.8)	3 1/16 (77.8)	3 1/8 (79.4)	3 3/4 (95.3)	1 9/16 (39.7)	2 5/16 (58.7)	5 1/16 (128.6)
3/4"				3 1/8 (79.4)		3 5/16 (84.1)			5 3/8 (136.5)
1"				3 7/8 (98.4)		3 7/8 (98.4)			1 7/8 (47.6)

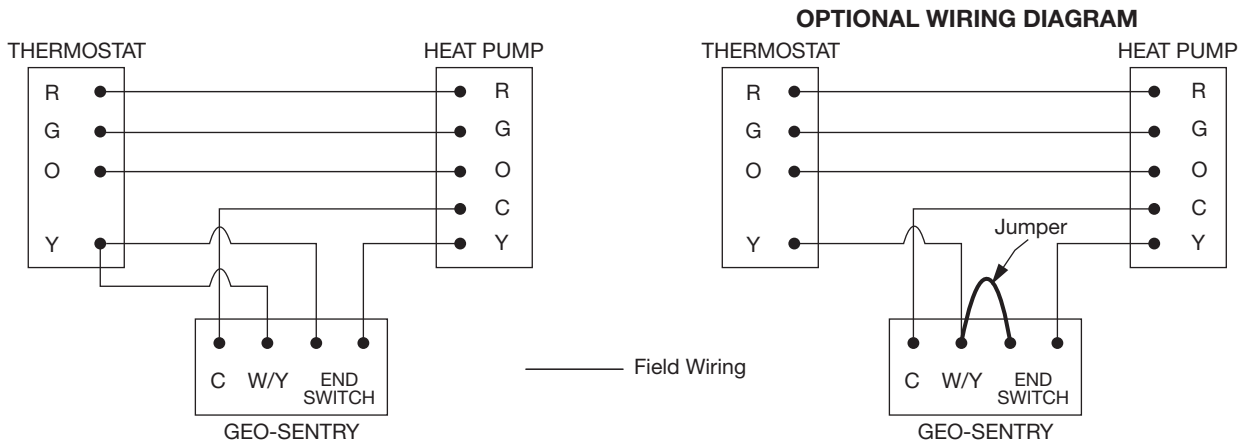


Geo-Sentry Zone Valve Wiring Diagrams:

WARNING: Wiring connections must be made in accordance with all applicable electrical codes.

WARNING : To prevent electrical shock, disconnect electric power to system at main fuse or circuit breaker box until installation is complete. When a service switch is installed, more than one disconnect switch may be required to deenergize this device for servicing.

NOTE: Some power robbing thermostats require the use of a resistor (always use the resistor provided by the thermostat manufacturer with the Zone Sentry). Consult the thermostat instructions for the resistor installation.



Product Specifications:

Maximum Static Pressure:	300 PSI (2,100 kPa)
Maximum Shutoff Pressure:	125 PSI (875 kPa)
Maximum Ambient Temperature:	24V 135°F Multi volt 150° F
Fluid Temperature Range:	20° to 220°F, (-7° to 105°C)
For Indoor Use Only:	
Service:	Open and closed systems 15 PSI Steam Max Fluids – Water Up to 25% Ethanol Up to 25% Methanol Up to 50% Glycol
Ball Rotation Speed:	Full Open to Full Close (90° turn), 5 seconds (after charge time) Full Close to Full Open (90° turn), 5 seconds (after charge time)
Seat Leakage:	Drop-Tight Close-Off
Electrical Rating:	24 VAC, 60 HZ, 0.48 Amps Do not use more than 12 zone valves per 40VA transformer.
Power Consumption, Charging:	11.4 Watts, 0.48 Amps
Power Consumption, Power On:	1.44 Watts, 0.06 Amps
Heat Anticipator Setting:	0.5 Amps
End Switch Rating:	1 Amp @ 24 VAC

NOTE: Some power robbing thermostats may cause a reduction of the number of valves possible per 40VA transformer.

Materials of Construction, Actuator:

Body:	High Performance Engineered Polymer
Gears:	High Performance Internally Lubricated Engineered Polymer

Materials of Construction, Standard Valve:

Body:	Forged Bronze
Stem:	Brass
Press Ring:	Brass
Ball:	Brass (Chrome Plated)
Seat:	Modified Teflon®
O-rings:	EPDM

LIMITED WARRANTY STATEMENT

Taco, Inc. will repair or replace without charge (at the company's option) any product or part which is proven defective under normal use within one (1) year from the date code.

In order to obtain service under this warranty, it is the responsibility of the purchaser to promptly notify the local Taco stocking distributor or Taco in writing and promptly deliver the subject product or part, delivery prepaid, to the stocking distributor. For assistance on warranty returns, the purchaser may either contact the local Taco stocking distributor or Taco. If the subject product or part contains no defect as covered in this warranty, the purchaser will be billed for parts and labor charges in effect at time of factory examination and repair.

Any Taco product or part not installed or operated in conformity with Taco instructions or which has been subject to misuse, misapplication, the addition of petroleum-based fluids or certain

chemical additives to the systems, or other abuse, will not be covered by this warranty.

If in doubt as to whether a particular substance is suitable for use with a Taco product or part, or for any application restrictions, consult the applicable Taco instruction sheets or contact Taco at [401-942-8000].

Taco reserves the right to provide replacement products and parts which are substantially similar in design and functionally equivalent to the defective product or part. Taco reserves the right to make changes in details of design, construction, or arrangement of materials of its products without notification.

TACO OFFERS THIS WARRANTY IN LIEU OF ALL OTHER EXPRESS WARRANTIES. ANY WARRANTY IMPLIED BY LAW INCLUDING WARRANTIES OF MERCHANTABILITY OR FITNESS IS IN EFFECT ONLY FOR THE DURATION OF THE EXPRESS WARRANTY

SET FORTH IN THE FIRST PARAGRAPH ABOVE.

THE ABOVE WARRANTIES ARE IN LIEU OF ALL OTHER WARRANTIES, EXPRESS OR STATUTORY, OR ANY OTHER WARRANTY OBLIGATION ON THE PART OF TACO.

TACO WILL NOT BE LIABLE FOR ANY SPECIAL, INCIDENTAL, INDIRECT OR CONSEQUENTIAL DAMAGES RESULTING FROM THE USE OF ITS PRODUCTS OR ANY INCIDENTAL COSTS OF REMOVING OR REPLACING DEFECTIVE PRODUCTS.

This warranty gives the purchaser specific rights, and the purchaser may have other rights which vary from state to state. Some states do not allow limitations on how long an implied warranty lasts or on the exclusion of incidental or consequential damages, so these limitations or exclusions may not apply to you.

 **Taco Comfort Solutions**® A Taco Family Company

Taco, Inc., 1160 Cranston Street, Cranston, RI 02920 | Tel: (401) 942-8000 | FAX: (401) 942-2360

Taco (Canada), Ltd., 8450 Lawson Road, Suite #3, Milton, Ontario L9T 0J8 | Tel: (905) 564-9422 | FAX: (905) 564-9436

Visit our web site: www.TacoComfort.com | Printed in USA | ©2017 Taco, Inc.

