

ZVC Replacement Transformer

SUPERSEDES: New

EFFECTIVE: September 1, 2008

Plant ID# 001-3193

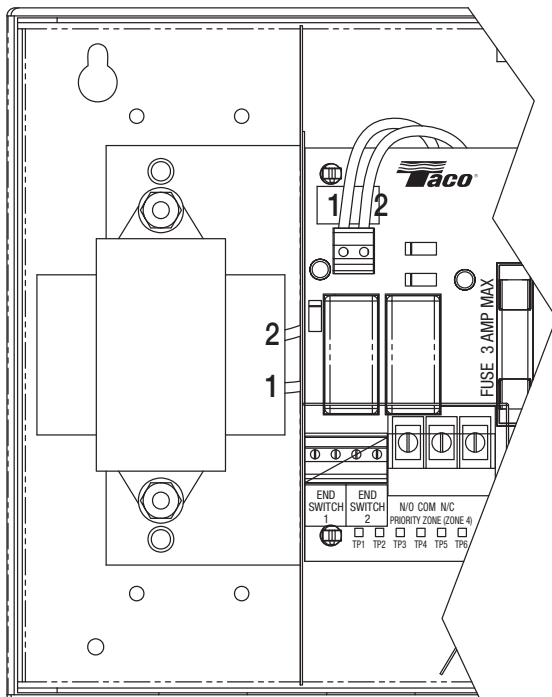
The Taco ZVC product line utilizes 40VA class 2 transformers with 120VAC primaries and 24VAC secondaries. Depending upon the product, one or two transformers may be present. A failed or damaged transformer can be replaced with Taco part ZVCXFR-001RP.

When replacing the transformer, proper lead connection to the circuit board is critical. Failure to properly connect the leads may result in product damage.

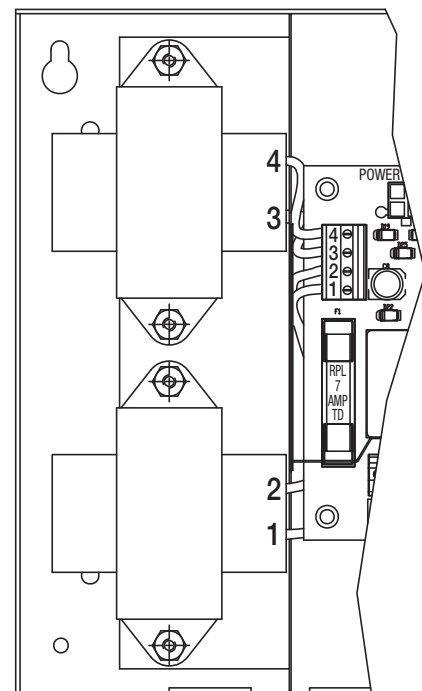
Replacement Procedure:

1. Turn off all electrical power to the ZVC. Verify that there is no power at the ZVC circuit board before continuing.
2. Remove the sheet metal cover.
3. Disconnect the 120VAC line from the white and black wires of the transformer(s). These are typically connected with wire nuts.
4. Disconnect the 24VAC transformer wires from the Power In 24VAC terminal block on the circuit board.
5. Remove the screws, nuts and lock washers holding the transformer to the sheet metal base. The nuts can be removed with an 11/32 wrench or socket. The #8 screw may need to be held from behind.
6. Remove the transformer and dispose of it properly.

7. Install the replacement transformer and secure with the #8 screws, nuts and lock washers – two per transformer. The screws must be inserted from the back of the enclosure. The 120VAC side of the transformer (with the black and white wire leads) should be facing away from the circuit board.
8. Connect the transformer's 24VAC wire leads to the Power In 24VAC terminal block on the circuit board. The 24VAC leads will either be both yellow or one yellow and one red. Other than the lead color, both transformers are identical. It is critical to connect the 24VAC transformer leads to the correct terminal block positions. The wire leads are to be fed through the cutout in the protective barrier between the transformer(s) and the circuit board. The wire leads must be connected to the terminal block in the proper order, from bottom to top. On some products, the terminal block connections are labeled. See the connection diagrams for the proper wiring order.
9. Reconnect the power supply line in to the 120VAC wire leads of the transformer(s). The white lead(s) connects to the neutral line and the black lead(s) connects to the hot or live line. Ensure that a ground wire is connected to the green ground screw on the ZVC's sheet metal base.
10. Reinstall the sheet metal cover.
11. Restore power to the ZVC and check for proper function.



**Wiring Connections
ZVC with One Transformer**



**Wiring Connections
ZVC with Two Transformers**

LIMITED WARRANTY STATEMENT

Taco, Inc. will repair or replace without charge (at the company's option) any product or part which is proven defective under normal use within one (1) year from the date of start-up or one (1) year and six (6) months from date of shipment (whichever occurs first).

In order to obtain service under this warranty, it is the responsibility of the purchaser to promptly notify the local Taco stocking distributor or Taco in writing and promptly deliver the subject product or part, delivery prepaid, to the stocking distributor. For assistance on warranty returns, the purchaser may either contact the local Taco stocking distributor or Taco. If the subject product or part contains no defect as covered in this warranty, the purchaser will be billed for parts and labor charges in effect at time of factory examination and repair.

Any Taco product or part not installed or operated in conformity with Taco instructions or which

has been subject to misuse, misapplication, the addition of petroleum-based fluids or certain chemical additives to the systems, or other abuse, will not be covered by this warranty.

If in doubt as to whether a particular substance is suitable for use with a Taco product or part, or for any application restrictions, consult the applicable Taco instruction sheets or contact Taco at [401-942-8000].

Taco reserves the right to provide replacement products and parts which are substantially similar in design and functionally equivalent to the defective product or part. Taco reserves the right to make changes in details of design, construction, or arrangement of materials of its products without notification.

TACO OFFERS THIS WARRANTY IN LIEU OF ALL OTHER EXPRESS WARRANTIES. ANY WARRANTY IMPLIED BY LAW INCLUDING WARRANTIES OF MERCHANTABILITY OR

FITNESS IS IN EFFECT ONLY FOR THE DURATION OF THE EXPRESS WARRANTY SET FORTH IN THE FIRST PARAGRAPH ABOVE.

THE ABOVE WARRANTIES ARE IN LIEU OF ALL OTHER WARRANTIES, EXPRESS OR STATUTORY, OR ANY OTHER WARRANTY OBLIGATION ON THE PART OF TACO.

TACO WILL NOT BE LIABLE FOR ANY SPECIAL, INCIDENTAL, INDIRECT OR CONSEQUENTIAL DAMAGES RESULTING FROM THE USE OF ITS PRODUCTS OR ANY INCIDENTAL COSTS OF REMOVING OR REPLACING DEFECTIVE PRODUCTS.

This warranty gives the purchaser specific rights, and the purchaser may have other rights which vary from state to state. Some states do not allow limitations on how long an implied warranty lasts or on the exclusion of incidental or consequential damages, so these limitations or exclusions may not apply to you.

Do it ONCE. Do it RIGHT.®

TACO, INC., 1160 Cranston Street, Cranston, RI 02920 Telephone: (401) 942-8000 FAX: (401) 942-2360.

TACO (Canada), Ltd., 6180 Ordan Drive, Mississauga, Ontario L5T 2B3. Telephone: 905/564-9422. FAX: 905/564-9436.

Visit our web site at: <http://www.taco-hvac.com>

Printed in USA

Copyright 2008

TACO, Inc.