



# Submittal Data Information

## SmartPlus

HOT WATER RECIRCULATION

101-154

EFFECTIVE: July 1, 2013

SUPERSEDES: November 1, 2012

JOB \_\_\_\_\_ ENGINEER \_\_\_\_\_ CONTRACTOR \_\_\_\_\_ REP. \_\_\_\_\_

ITEM NO.	MODEL NO.	IMP. DIA.	G.P.M.	HEAD/FT.	H.P.	ELEC. CHAR.
----------	-----------	-----------	--------	----------	------	-------------

### Application:

The Taco SmartPlus circulator is designed to deliver instant hot water comfort and convenience while conserving water and energy. By recirculating "cooled" hot water back to the water heater, the wait for hot water is decreased to seconds. The SmartPlus is designed for use with dedicated return line systems.

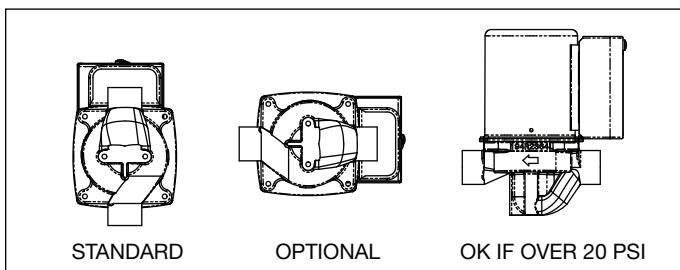
### Features:

- Automatic Operation
- Vacation and Exercise Mode
- Energy Efficient
- LED Display
- Remote Sensor Included
- 6' Line Cord
- Field Replaceable Cartridge
- Optional IFC® (Integral Flow Check)
- 3 Year Warranty

### Materials of Construction:

- Casing (Volute): Bronze or Stainless Steel
- Stator Housing: Steel
- Cartridge: Stainless Steel
- Impeller: Non-Metallic
- Shaft: Ceramic
- Bearings: Carbon
- O-Ring & Gaskets: EPDM
- Optional Integral Flow Check
  - Body, Plunger: Acetal
  - O-Ring Seals: EPDM
  - Spring: Stainless Steel

### Mounting Positions:



### Model Nomenclature:

- IQ - SmartPlus
- B - Bronze, 3/4" Sweat
- BC - Bronze, 1/2" Sweat
- ST - Stainless Steel, 3/4" FNPT
- SF - Stainless Steel, Flanged

### Performance Data:

MODEL	FLOW RANGE	HEAD RANGE
003	0 - 7 GPM	0 - 4.5 Feet
006	0 - 11.5 GPM	0 - 9.5 Feet
008	0 - 15 GPM	0 - 15 Feet
003-IFC	0 - 6 GPM	0 - 4.5 Feet
006-IFC	0 - 9 GPM	0 - 8.5 Feet
008-IFC	0 - 13 GPM	0 - 14.5 Feet

### Electrical Data:

MODEL	VOLTS	Hz	Ph	AMPS	RPM	HP
003	115	60	1	0.45	3250	1/40
006				0.52		
008				0.84		1/25

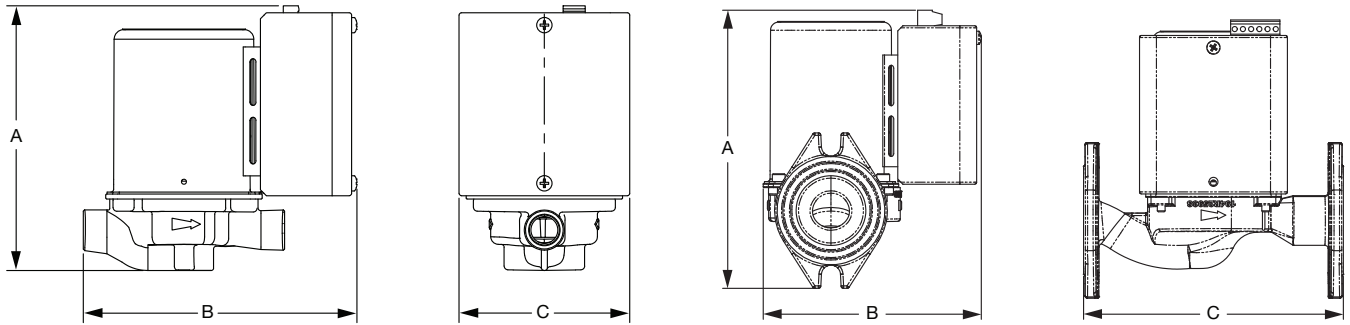
Patent #: US 8,594,853 B2



**Pump Dimensions & Weights:**

**MODELS 003 & 006**

**MODEL 008**



MODEL	CASING	A		B		C		SHIP WGT.	
		IN.	mm	IN.	mm	IN.	mm	LBS.	KG
003-IQB4	Bronze	6½	165	6	152	¾	95	7.0	3.2
003-IQBC4									
006-IQB4									
006-IQBC4									
003-IQBC4-IFC		7¼	184						
003-IQBC4-1IFC									
006-IQBC7-IFC									
006-IQBC7-1IFC									
006-IQST4	Stainless Steel	6½	165	5½	140	6½	165	8.0	3.6
008-IQSF6		7	177						
008-IQSF6-IFC									

MODEL NUMBER	½" SUPPLY AND RETURN LINES		¾" SUPPLY AND RETURN LINES	
	Supply Pipe Max. Length (ft)	Total Maximum Pipe Length (ft)	Supply Pipe Max. Length (ft)	Total Maximum Pipe Length (ft)
003	50	100	50	200
006	100	250	150	300
008	250	450	300	600
003-IFC*	25	100	50	200
006-IFC*	100	250	150	300
008-IFC*	250	450	300	600

\* With Optional Integral Flow Check

**Assumptions:**

- Flow = 1 GPM
- Maximum Velocity = 3 ft/sec
- Allowances have been added for pressure drop of other typical system components.
- Type L Copper Tubing
- Supply and return piping are equal in length.

**Do your best work.**

TACO, INC., 1160 Cranston Street, Cranston, RI 02920 Telephone: (401) 942-8000 FAX: (401) 942-2360.  
 TACO (Canada), Ltd., 8450 Lawson Road, Unit #3, Milton, Ontario L9T 0J8. Telephone: 905/564-9422. FAX: 905/564-9436.

Visit our web site at: <http://www.taco-hvac.com>

Printed in USA

Copyright 2013

TACO, Inc.