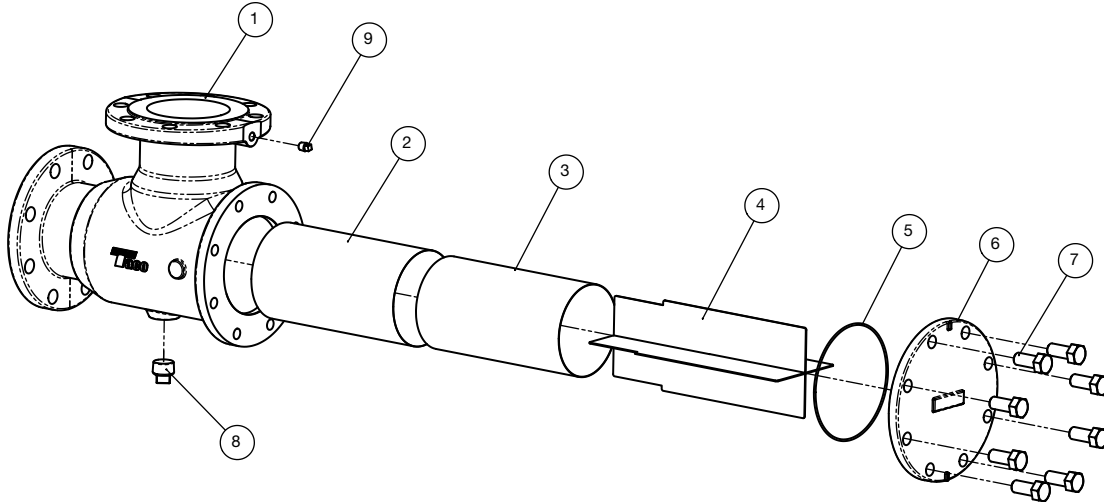


Suction Diffuser Rear Strainer Pullout (RSP)

SUPERSEDES: February 1, 2006

EFFECTIVE: January 1, 2010



MODEL PART NO.	SIZE (inches)	STRAIGHTENING VANES (Item No. 4)	STRAINER & "O" RING KIT (Item No. 3 & 5)	COVER KIT (Item No. 6)	"O" RING (Item No. 5)
SD020015-4	2 x 1½	386-2252RP	386-2407RP	386-2110RP	759-489RP
SD020020-4	2 x 2	386-2255RP			
SD025020-4	2½ x 2				
SD030020-4	3 x 2	386-2258RP	386-2409RP	386-2114RP	759-088RP
SD025025-4	2½ x 2½				
SD030025-4	3 x 2½	386-2261RP	386-2411RP	386-2117RP	759-090RP
SD030030-4	3 x 3				
SD040030-4	4 x 3	386-2267RP	386-2414RP	386-2119RP	759-094RP
SD040040-4	4 x 4				
SD050040-4	5 x 4	386-2273RP	386-2416RP	386-2121RP	759-475RP
SD060040-4	6 x 4				
SD050050-4	5 x 5	386-2279RP	386-2418RP	386-2124RP	759-498RP
SD060050-4	6 x 5				
SD060060-4	6 x 6	386-2285RP	386-2422RP	386-2126RP	759-503RP
SD080060-4	8 x 6				
SD100060-4	10 x 6	386-2291RP	386-2425RP	386-2129RP	759-504RP
SD080080-4	8 x 8				
SD100080-4	10 x 8	386-2297RP	386-2428RP	386-2132RP	759-600RP
SD120080-4	12 x 8				
SD100100-4	10 x 10	386-2303RP	386-2433RP	386-2442RP	759-505RP
SD120100-4	12 x 10				
SD140100-4	14 x 10	386-2297RP	386-2428RP	386-2132RP	759-600RP
SD120120-4	12 x 12				
SD140120-4	14 x 12	386-2297RP	386-2428RP	386-2132RP	759-600RP
SD160120-4	16 x 12				
SD140140-4	14 x 14	386-2303RP	386-2433RP	386-2442RP	759-505RP
SD160140-4	16 x 14				

MODEL PART NO.	SIZE	SUPPORT FOOT
All Models	All Sizes	350-016RP

MAGNETIC PLUG KIT	
MODEL SIZE	KIT NO.
up to 3 x 2½	386-2402RP
3 x 3 and up	386-2401RP

PRESSURE TAP KIT	
MODEL PART NO.	KIT NO.
All Models	759-252RP

Kit parts apply to 125# and 250# Flanged and Grooved Suction Diffuser.

Start Up Strainer: 16 mesh bronze insect screen

