



Replacement Parts List

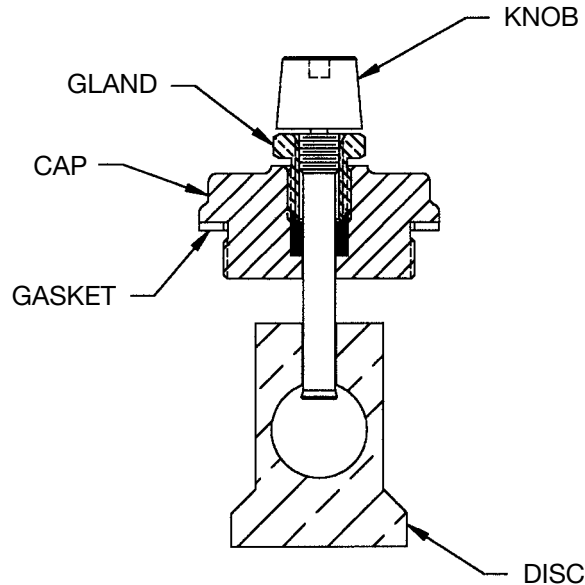
104-004

Flo-Cheks

SUPERSEDES: 101-004 dated February 1, 1991

EFFECTIVE: March 15, 2000

CAP ASSEMBLY:



PRODUCT NO.	OBSOLETE CAP ASSEMBLY	CURRENT CAP ASSEMBLY	REPLACE WITH VALVE	When valve is replaced the following changes in valve type occur:
218-1 218-2 218-3	220-020RP 220-049RP	220-058RP 220-058RP	218-3	
219-1, -2 219-3, -4	219-225RP	219-230RP	219-4	
220-1, -2 220-3, -3A 220-4 220-5 220-6	220-020RP 220-020RP 220-020RP 220-049RP	220-058RP 220-058RP	220-6 220-6 220-6	
221-2, -2A 221-3, -3A 221-4 221-5 221-6	221-005RP 221-005RP 221-005RP 221-019RP	221-021RP 221-021RP	221-6 221-6 221-6	
222-3, -3A 222-4 222-5 222-6	222-011RP 222-011RP 222-025RP	222-027RP 222-027RP	222-6 222-6	
223-1 223-2 223-3 223-5	223-064RP	223-072RP 223-072RP	223-5 223-5	Horizontal to Universal Horizontal to Universal
224-1 224-2			223-5 223-5	Angle to Universal Angle to Universal

PRODUCT NO.	OBSOLETE CAP ASSEMBLY	CURRENT CAP ASSEMBLY	REPLACE WITH VALVE	When valve is replaced the following changes in valve type occur:
225-1 225-2 225-3	225-003RP		N/A N/A N/A	
226-1 226-2			N/A N/A	
227-1, -3 227-2	227-015RP 227-015RP		N/A N/A	
228-1			220-6 or 241-4	Angle Sweat to Universal Thread Angle Sweat to Horizontal Sweat
229-1	229-004RP		N/A	
241-1, -2 241-3 241-4	220-020RP 220-049RP	220-058RP 220-058RP	241-4	

Do it Once. Do it Right.

TACO, INC., 1160 Cranston Street, Cranston, RI 02920 Telephone: (401) 942-8000 FAX: (401) 942-2360.
TACO (Canada), Ltd., 6180 Ordan Drive, Mississauga, Ontario L5T 2B3. Telephone: 905/564-9422. FAX: 905/564-9436.

Visit our web site at: <http://www.taco-hvac.com>

Printed in USA
 Copyright 2000
 TACO, Inc.