

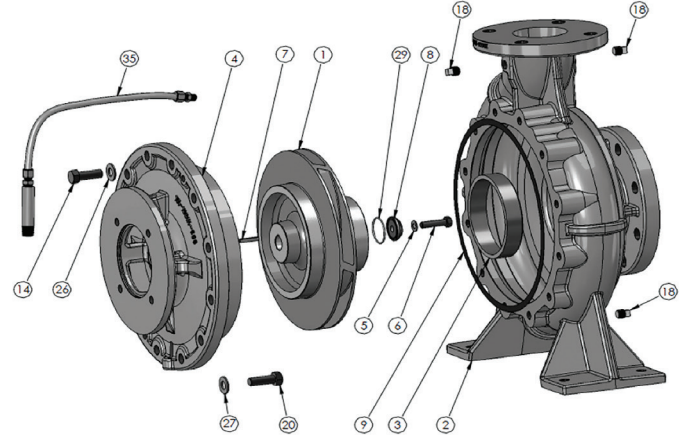
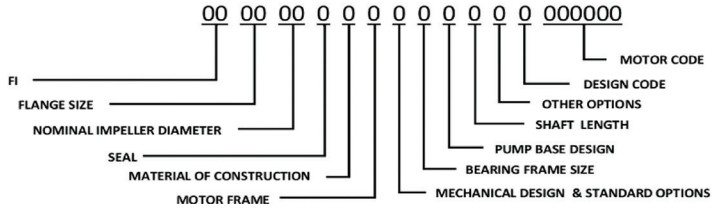
Replacement Parts List

FI 6013 & FI 6013D

SUPERSEDES: March 30, 2019

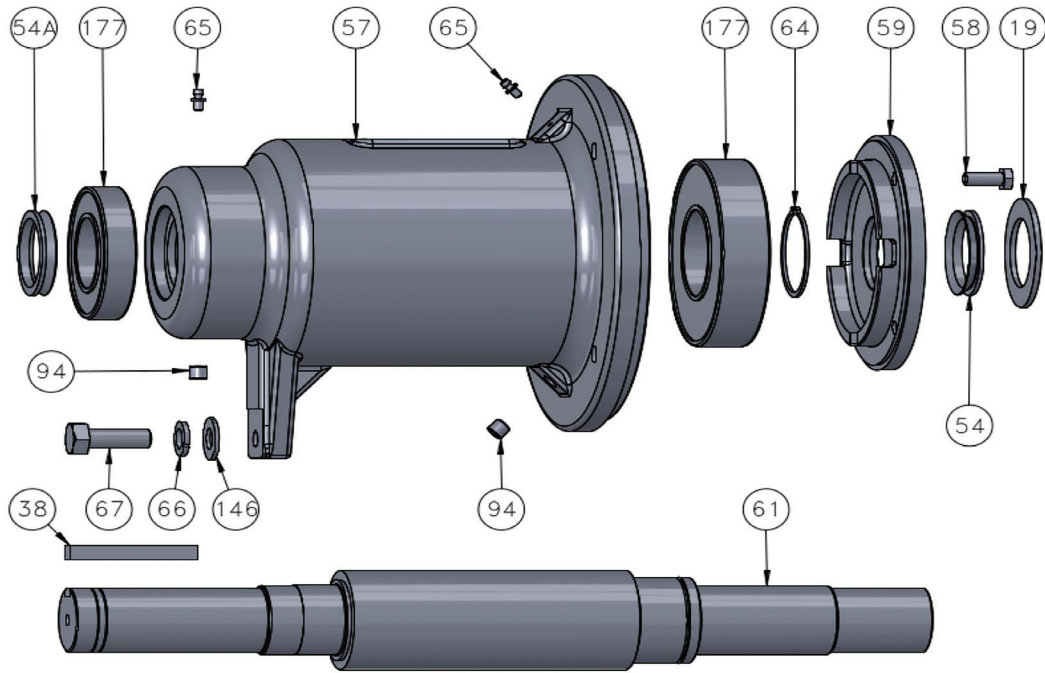
EFFECTIVE: May 18, 2020

WHEN SELECTING AND ORDERING PARTS, ALWAYS REFER TO SERIAL NUMBER ON NAMEPLATE



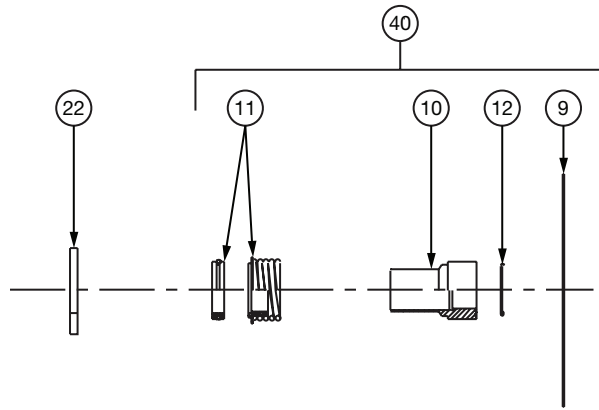
ITEM NUMBER	NUMBER REQUIRED	DESCRIPTION	FI 6013	FI 6013D
			BEARING FRAME L	BEARING FRAME L
1	1	Impeller (Cast Iron)	953-1195RP	N/A
1	1	Impeller (Bronze)	953-1196RP	953-6379RP
1	1	Impeller (Stainless Steel)	N/A	953-6379SRP
2	1	Casing (125#) (No W/R)	953-2077RP	953-6375RP
2	1	Casing (250#) (No W/R)	953-2078RP	953-6376RP
2	1	Casing (125#) (Bronze W/R)	953-2332RP	953-6377RP
2	1	Casing (250#) (Bronze W/R)	953-2333RP	953-6378RP
3	1 (W/R)	Wear Ring (Bronze)	LE5319-12RP	953-6380L
4	1	Cover, 125#	953-1202RP	953-6312-50RP
		Cover, 250#	953-1202RP	953-6312-50RP
5	1	Dowdy Washer	951-2579RP	951-2579RP
6	1	Impeller Bolt (Stainless Steel)	1/2 NC x 1 3/4 LG	1/2 NC x 2 LG
7	1	Impeller Key (Stainless Steel)	3/8 x 3/8 x 2 LG	3/8 x 3/8 x 2 LG
8	1	Impeller Washer	953-1099RP	953-1099RP
9	1	Gasket (Casing)	953-1011RP	953-4790RP
14	12	Casing Bolt (Steel)	5/8 NC X 1 1/2 LG	5/8 NC X 2 LG
18	4	Pipe Plug	1/4 NPT	1/4 NPT
26	12	Casing Washer (Zinc)	5/8	5/8
29	1	Impeller O-Ring	951-5277RP	951-5277RP
20	4	Bearing Frame Bolt	1/2 NC x 1 1/4 LG	1/2 NC x 1 1/4 LG
27	4	Bearing Frame Washer	1/2	1/2
35	1	Tube Kit	951-1547RP	951-1547RP

FI Series 'L' Frame Replacement Parts



ITEM NUMBER	NUMBER REQUIRED	DESCRIPTION	STANDARD SEALED BEARINGS	OPTIONAL GREASE-ABLE BEARINGS	REMARKS
			PART NO.	PART NO.	
-	1	FRAME ASSEMBLY (SS)	953-2226RP	953-2227RP	STAINLESS STEEL SHAFT
57	1	HOUSING	953-2207RP	953-2206RP	
61	1	SHAFT (SS)	953-2210RP	953-2210RP	STAINLESS STEEL
59	1	END CAP	953-2208RP	953-2208RP	
67	1	BOLT, FOOT SUPPORT	10-228RP	10-228RP	
66	1	LOCKWASHER, FOOT SUPPORT	14-102RP	14-102RP	
146	1	FLAT WASHER, FOOT SUPPORT	14-316RP	14-316RP	
38	1	KEY-SHAFT	13-110RP	13-110RP	
176	1	BALL BEARING, FRONT (THRUST)	951-5598RP	872-056RP	
177	1	BALL BEARING, REAR (RADIAL)	951-5599RP	950-2491RP	
19	1	DEFLECTOR	951-3040RP	951-3065RP	
64	1	RETAINING RING	15-141RP	15-141RP	
58	4	HEX HEAD BOLT, END CAP	10-207RP	10-227RP	
54	1	V RING SEAL, REAR	953-1575-3RP	953-1575-3RP	
54A	1	V RING SEAL, FRONT	953-1575-3RP	953-1575-3RP	
65	2	GREASE FITTING	N/A	15-203RP	
94	2	PIPE PLUG	N/A	16-140RP	

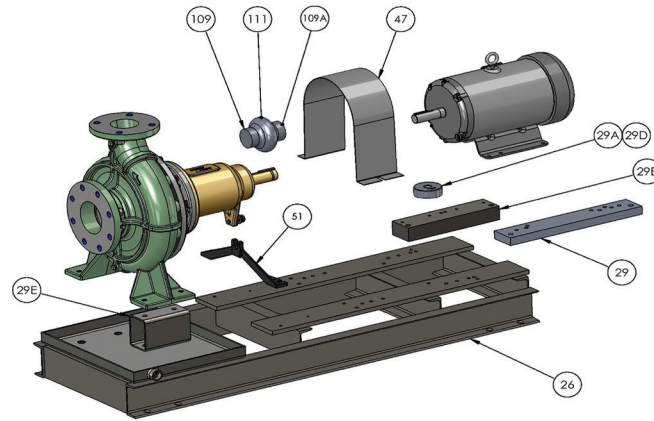
FI Series Seal Replacement Parts (EPT)



ITEM NO.	NO. REQ.	DESCRIPTION	6013, 6013D	6013, 6013D
			BEARING FRAME	
			L	L
			MECHANICAL DESIGN (125#)	MECHANICAL DESIGN (250#)
9	1	Gasket (Casing)	See Page 1	See Page 1
10	1	Sleeve (SS)	953-1127RP	953-1890RP
10	1	Sleeve (Brz)	953-1173RP	953-1888RP
11	1	Seal (Type B)	951-2966RP	951-5151RP
11	1	Seal (Type D)	951-2967RP	951-5152RP
11	1	Seal (Type E)	951-2968RP	951-5153RP
11	1	Seal (Type F)	951-6419RP	951-6448RP
12	1	Sleeve O-Ring	951-5277RP	951-5277RP
22	1	Deflector	951-3065RP	951-3065RP
40	1	Seal Kit (Type B) SS	953-1549-14RP	953-1549-17RP
40	1	Seal Kit (Type B) Brz	953-1549-14BRP	953-1549-17BRP
40	1	Seal Kit (Type D) SS	953-1549-15RP	953-1549-18RP
40	1	Seal Kit (Type D) Brz	953-1549-15BRP	953-1549-18BRP
40	1	Seal Kit (Type E) SS	953-1549-16RP	953-1549-19RP
40	1	Seal Kit (Type E) Brz	953-1549-16BRP	953-1549-19BRP
40	1	Seal Kit (Type F) SS	953-1549-45RP	953-1549-46RP
40	1	Seal Kit (Type F) Brz	953-1549-45BRP	953-1549-46BRP

From AW-698 Rev U

Motor Replacement Parts



ITEM NUMBER	QTY.	DESCRIPTION	FI-6013 MOTOR FRAMES (NEMA STANDARD) "T"								
			254T	256T	284T	286T	324T	326T	364T	365T	405T
47	1	Coupler Guard	951-1747RP	951-1747RP	951-1747RP	951-1747RP	951-1747RP	951-1747RP	951-3568RP	951-3568RP	951-3568RP
109	1	Coupler Hub, Pump	953-2452RP	953-2452RP	953-2452RP	953-2460RP	953-2460RP	953-2469RP	953-2469RP	953-2476RP	953-2479RP
109A	1	Coupler Hub, Motor	953-2452RP	953-2452RP	953-2454RP	953-2462RP	953-2463RP	953-2472RP	953-2474RP	953-2477RP	953-2480RP
111	1	Coupler Insert	953-2446RP	953-2446RP	953-2446RP	953-2455RP	953-2455RP	953-2464RP	953-2464RP	953-2475RP	953-2478RP
*	1	OSHA Coupler Guard	953-1915RP	953-1915RP	953-1915RP	953-1916RP	953-1916RP	953-1916RP	953-1916RP	953-1916RP	953-1916RP
26	1	Base	953-2376RP	953-2376RP	953-4388RP	953-4388RP	953-2376RP	953-2376RP	953-2270RP	953-2270RP	953-2270RP
29	2	Spacer, Motor (1ST)	951-6292RP	951-6292RP	X	X	X	X	953-1728RP	953-1728RP	X
29B	4	Spacer, Motor (2ND)	X	X	X	X	X	X	951-5212RP	951-5212RP	X
29A	4	Spacer, Motor (1ST)	X	X	953-2229RP	953-2229RP	951-5313RP	951-5313RP	X	X	953-2229RP
29D	4	Spacer, Motor (2ND)	953-2228RP	953-2228RP	X	X	X	X	X	X	X
51	1	Foot Support	953-1641RP	953-1641RP	953-1641RP	953-1641RP	953-1643RP	953-1643RP	953-1643RP	953-1643RP	953-1643RP

ITEM NUMBER	QTY.	DESCRIPTION	FI-6013D MOTOR FRAMES (NEMA STANDARD) "T"										
			254T	256T	284T	286T	324T	326T	364T	365T	404T	405T	444T
47	1	Coupler Guard	951-3079RP	951-3079RP	951-3079RP	951-3079RP	951-3571RP	951-3571RP	951-1749RP	951-1749RP	951-1749RP	951-1749RP	951-1749RP
109	1	Coupler Hub, Pump	953-2445RP	953-2452RP	953-2460RP	953-2460RP	953-2469RP	953-2469RP	953-2476RP	953-2476RP	953-2476RP	953-2479RP	953-2479RP
109A	1	Coupler Hub, Motor	953-2445RP	953-2452RP	953-2462RP	953-2462RP	953-2472RP	953-2472RP	953-2477RP	953-2477RP	953-2540RP	953-2480RP	953-2543RP
111	1	Coupler Insert	953-2438RP	953-2446RP	953-2455RP	953-2455RP	953-2464RP	953-2464RP	953-2475RP	953-2475RP	953-2475RP	953-2478RP	953-2478RP
*	1	OSHA Coupler Guard	953-2755RP	953-2755RP	953-2755RP	953-2755RP	953-2756RP	953-2756RP	953-2756RP	953-2756RP	953-2756RP	953-2756RP	953-2756RP
26	1	Base	953-6479RP	953-6479RP	953-6479RP	953-6479RP	953-6479RP	953-6479RP	953-6480RP	953-6480RP	953-6480RP	953-6480RP	953-6480RP
29	2	Spacer, Motor	951-6292RP	951-6292RP	951-6292RP	951-6292RP	X	X	953-1728RP	953-1728RP	951-7001RP	951-7001RP	X
29A	4	Spacer, Motor	X	X	951-5313RP	951-5313RP	951-5313RP	951-5313RP	X	X	X	X	X
29B	2	Spacer, Motor	X	X	X	X	X	X	951-5212RP	951-5212RP	X	X	X
29D	4	Spacer, Motor	953-2229RP	953-2229RP	X	X	X	X	X	X	953-2229RP	953-2229RP	X
51	1	Foot Support	953-1642RP	953-1642RP	953-1642RP	953-1642RP	953-1642RP	953-1642RP	953-1727RP	953-1727RP	953-1727RP	953-1727RP	953-1727RP

AW-730 Rev G

Taco Comfort Solutions® A Taco Family Company

Taco, Inc., 1160 Cranston Street, Cranston, RI 02920 | Tel: (401) 942-8000 | FAX: (401) 942-2360

Taco (Canada), Ltd., 8450 Lawson Road, Suite #3, Milton, Ontario L9T 0J8 | Tel: (905) 564-9422 | FAX: (905) 564-9436

Visit our web site: www.TacoComfort.com | Printed in USA | ©2020 Taco, Inc.

