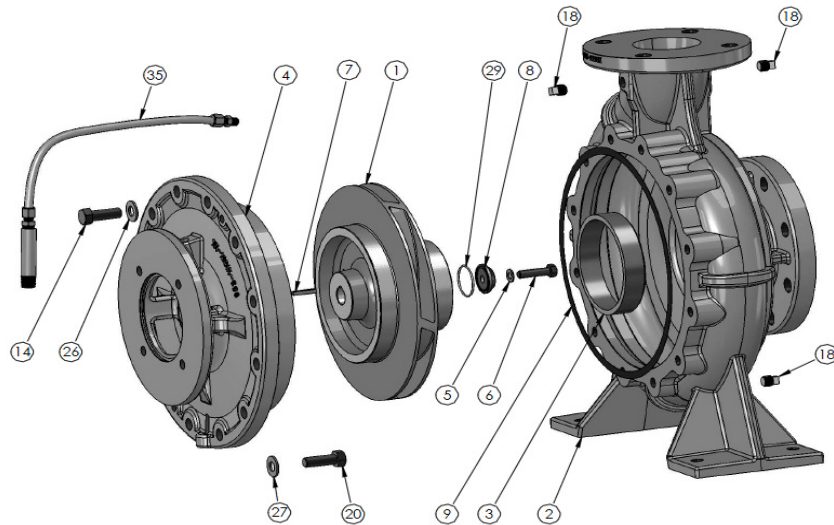
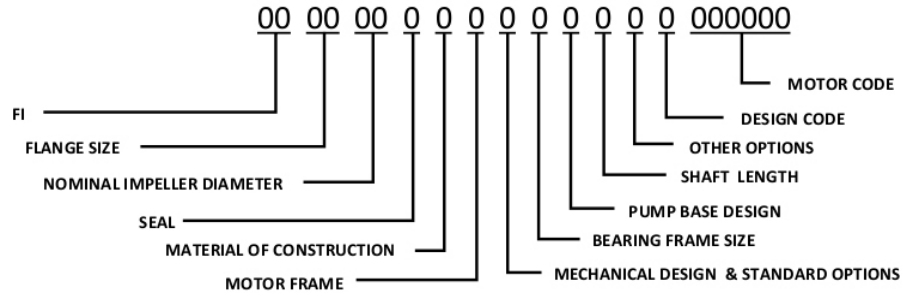


FI 6009B & FI 6009D

SUPERSEDES: New

EFFECTIVE: February 1, 2018

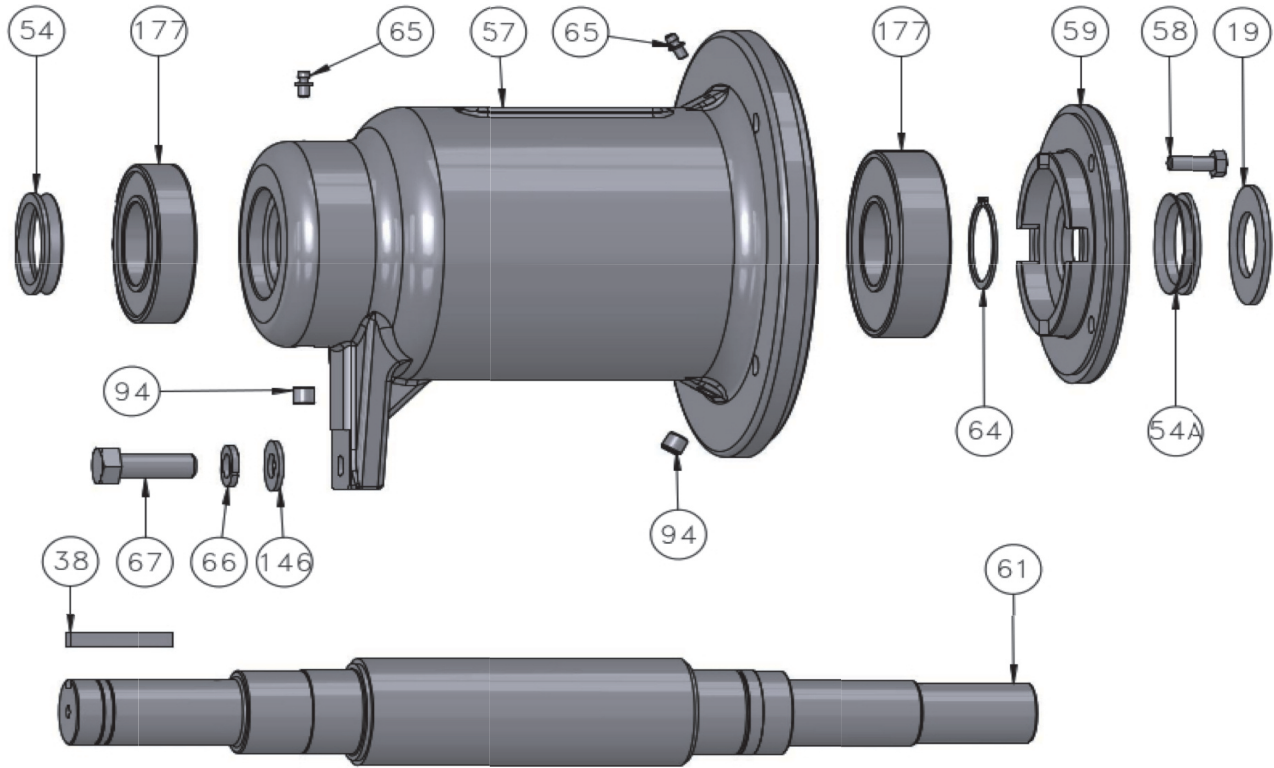
WHEN ORDERING PARTS, ALWAYS REFER TO SERIAL NUMBER ON NAMEPLATE



ITEM NUMBER	NUMBER REQUIRED	DESCRIPTION	FI 6009 BEARING FRAME J	FI 6009D BEARING FRAME J
1	1	Impeller (Bronze)	953-3135RP**	N/A
1	1	Impeller (Stainless Steel)	N/A	N/A
1	1	Impeller (BRZ) (With B/H, 1160, 1450 & 1760 RPM)	N/A	953-5235RP
1	1	Impeller (SS) (With B/H, 1160, 1450 & 1760 RPM)	N/A	953-5236RP
2	1	Casing (125#) (No W/R)	953-1973RP	953-5186RP
2	1	Casing (250#) (No W/R)	953-1974RP	953-5187RP
2	1	Casing (125#) (Bronze W/R)	953-2312RP	953-5188RP
2	1	Casing (250#) (Bronze W/R)	953-2313RP	953-5189RP
3	1 (W/R)	Wear Ring (Bronze)	953-1772RP	953-1772RP
4	1	Cover, 125#	953-1977RP	953-5325RP
		Cover, 250#	953-1977RP	953-5326RP
5	1	Dowdy Washer	951-2579RP	951-2579RP
6	1	Impeller Bolt (Stainless Steel)	1/2NCX1-3/4LG	1/2NCX1-1/2LG
7	1	Impeller Key (Stainless Steel)	1/4X1/4X2LG	1/4X1/4X2-1/4LG
8	1	Impeller Washer	953-829RP	953-829RP
9	1	Gasket (Casing)	953-1979RP	953-1864RP
14	12	Casing Bolt (Steel)	3/8 NC x 7/8 LG	3/8NC X 1LG
18	3	Pipe Plug (Brass)	1/4 NPT	1/4 NPT
26	12	Casing Washer (Zinc)	3/8	3/8
29	1	Impeller Gasket	953-759RP	953-759RP
20	4	Motor Bolt	1/2 NC x 1 1/4 LG	1/2 NC x 1 1/4 LG
27	4	Motor Washer	1/2	1/2
35	1	Tube Kit	951-1547RP	951-1547RP

FI 'J' Frame Replacement Parts

(for Bearing Frames manufactured after January 2003 – see note below)

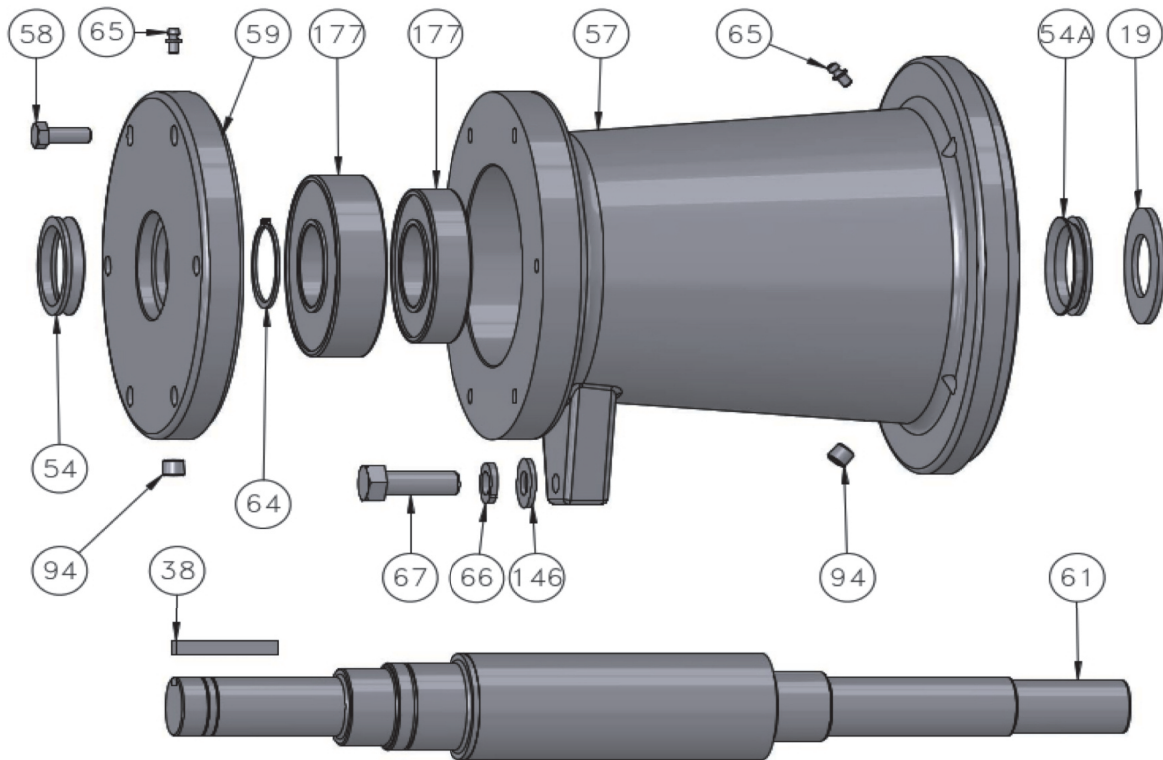


NOTE: Note difference in visual appearance of bearing frames on pages 3 and 4. New frames are a direct replacement for older ones. The part numbers for individual bearings are different from old frames. If you need help determining which frame you have, please contact tech services at Taco (401-942-8000)

ITEM NUMBER	NUMBER REQUIRED	DESCRIPTION	STANDARD SEALED BEARINGS PART NO.	OPTIONAL GREASEABLE BEARINGS PART NO.	REMARKS
-	1	FRAME ASSEMBLY (CS)	953-2214RP	953-2217RP	CARBON STEEL SHAFT
-	1	FRAME ASSEMBLY (CS)	953-2222RP	953-2223RP	STAINLESS STEEL SHAFT
57	1	HOUSING	953-2203RP	953-2196RP	
61	1	SHAFT (CS)	953-2198RP	953-2198RP	CARBON STEEL
61	1	SHAFT (CS)	953-2199RP	953-2199RP	STAINLESS STEEL
59	1	END CAP	953-2197RP	953-2197RP	
67	1	BOLT, FOOT SUPPORT	10-228RP	10-228RP	
66	1	LOCKWASHER, FOOT SUPPORT	14-102RP	14-102RP	
146	1	FLAT WASHER, FOOT SUPPORT	14-316RP	14-316RP	
38	1	KEY-SHAFT	13-110RP	13-110RP	
176	1	BALL BEARING, FRONT (THRUST)	953-2215RP	950-963RP	
177	1	BALL BEARING, REAR (RADIAL)	951-5599RP	951-2491RP	
19	1	DEFLECTOR	951-3040RP	951-3040RP	
64	1	RETAINING RING	15-140RP	15-140RP	
58	4	HEX HEAD BOLT, END CAP	10-207RP	10-207RP	
54	1	V RING SEAL, REAR	953-1575-3RP	953-1575-3RP	
54A	1	V RING SEAL, FRONT	953-1575-3RP	953-1575-3RP	
65	2	GREASE FITTING	N/A	15-203RP	
94	2	PIPE PLUG	N/A	16-140RP	

FI 'J' Frame Replacement Parts

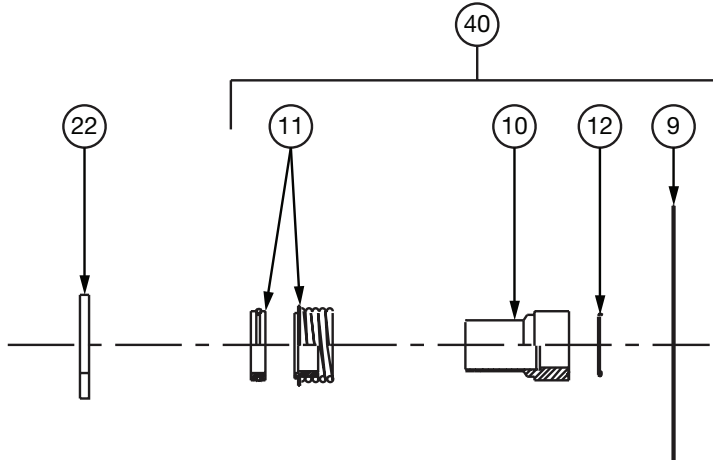
(for Bearing Frames manufactured prior to February 2003 – see note below)



NOTE: Note difference in visual appearance of bearing frames on pages 3 and 4. New frames are a direct replacement for older ones. The part numbers for individual bearings are different from old frames to new frames. If you need help determining which frame you have, please contact tech services at Taco (401-942-8000)

ITEM NUMBER	NUMBER REQUIRED	DESCRIPTION	STANDARD SEALED BEARINGS PART NO.	OPTIONAL GREASEABLE BEARINGS PART NO.	REMARKS
-	1	FRAME ASSEMBLY (CS)	953-1571RP	953-1880RP	CARBON STEEL SHAFT
-	1	FRAME ASSEMBLY (CS)	953-1572RP	953-1881RP	STAINLESS STEEL SHAFT
57	1	HOUSING	953-1565RP	953-1866RP	
61	1	SHAFT (CS)	953-1658RP	953-1658RP	CARBON STEEL
61	1	SHAFT (CS)	953-1663RP	953-1663RP	STAINLESS STEEL
59	1	END CAP	953-1567RP	953-1869RP	
67	1	BOLT, FOOT SUPPORT	10-234RP	10-234RP	
66	1	LOCKWASHER, FOOT SUPPORT	14-102RP	14-102RP	
146	1	FLAT WASHER, FOOT SUPPORT	14-302RP	14-302RP	
38	1	KEY-SHAFT	13-110RP	13-110RP	
176	1	BALL BEARING, FRONT (THRUST)	953-1871RP	951-155RP	
177	1	BALL BEARING, REAR (RADIAL)	953-1876RP	862-101RP	
19	1	DEFLECTOR	951-3040RP	951-3040RP	
64	1	RETAINING RING	15-127RP	15-127RP	
58	4	HEX HEAD BOLT, END CAP	10-227RP	10-227RP	
54	1	V RING SEAL, REAR	953-1575-3RP	953-1575-3RP	
54A	1	V RING SEAL, FRONT	953-1575-4RP	953-1575-4RP	
65	2	GREASE FITTING	N/A	15-203RP	
94	2	PIPE PLUG	N/A	16-140RP	

FI Series Seal Replacement Parts (EPT)



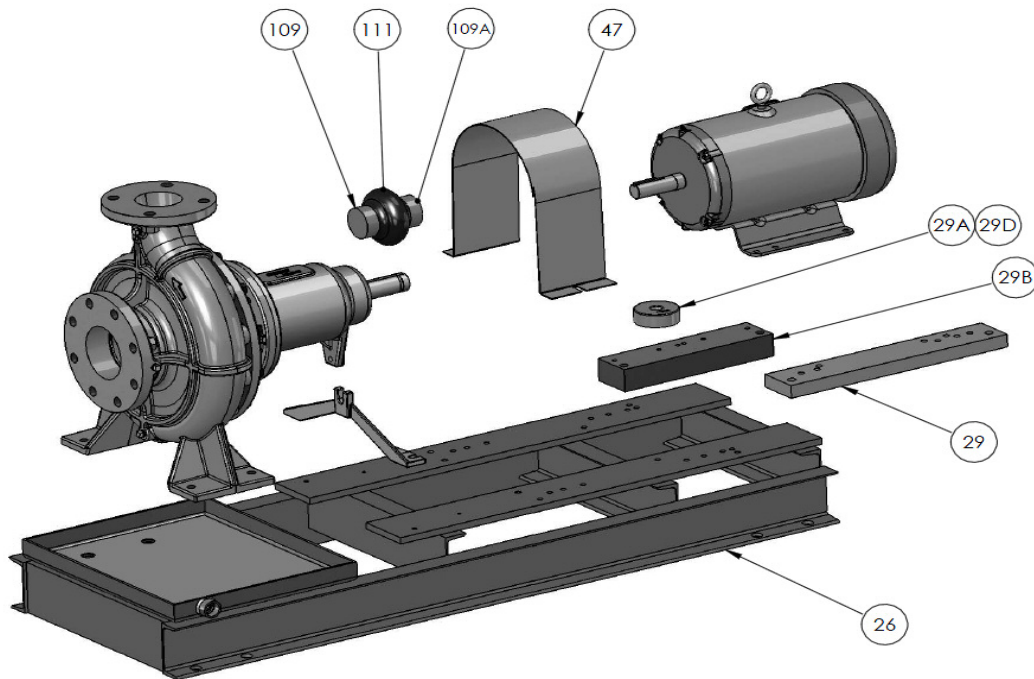
FI-Seal Replacement Parts

1206, 1206D, 1506, 1506D, 2506, 2506D			1206, 1206D, 1506, 1506D, 2506, 2506D		
1207, 1507, 1207D, 1507D, 2007, 2007D, 2507D	2507, 3007, 3007D, 4075, 4007, 5007, 5007D, 2507D		1207, 1507, 1207D, 1507D, 2007, 2007D, 2507D	2507, 3007, 3007D, 4075, 4007, 5007, 5007D, 2507D	
	2508			2508	
1209C, 1209D, 1509C, 2009C, 2009D, 2509C, 2509D, 4009D	1509, 1509C, 1509D, 2009, 2009C, 2009D, 2509, 2509C, 2509D, 3009, 3009C, 3009D, 4009, 4009C, 5009, 5009C, 5009D, 5095, 6009, 6009D		1209C, 1209D, 1509C, 2009C, 2009D, 2509C, 2509D, 4009D	1509, 1509C, 1509D, 2009, 2009C, 2009D, 2509, 2509C, 2509D, 3009, 3009C, 3009D, 4009, 4009C, 5009, 5009C, 5009D, 5095, 6009, 6009D	
2510C	2510		2510C	2510	
	1511, 2511, 2511D, 3011, 3011D, 4011, 4011C, 4011D, 5011, 5011D, 6011, 6011D			1511, 2511, 2511D, 3011, 3011D, 4011, 4011C, 4011D, 5011, 5011D, 6011, 6011D	
	2513, 3013, 4013	2513D, 3013D, 4013D, 5013, 5013D, 6013, 6013D		2513, 3013, 4013	2513D, 3013D, 4013D, 5013, 5013D, 6013, 6013D

ITEM NO.	NO. REQ.	DESCRIPTION	BEARING FRAME					
			H	J	L	H	J	L
			MECHANICAL DESIGN (125#)			MECHANICAL DESIGN (250#)		
9	1	Gasket (Casing)	See Page 1	See Page 1	See Page 1	See Page 1	See Page 1	See Page 1
10	1	Sleeve (SS)	953-1118RP	953-1170RP	953-1127RP	953-1892RP	953-1891RP	953-1890RP
10	1	Sleeve (Brz)	953-1119RP	953-1171RP	953-1173RP	953-1861RP	953-1887RP	953-1888RP
11	1	Seal (Type B)	951-3157RP	951-3158RP	951-2966RP	951-3766RP	951-5158RP	951-5151RP
11	1	Seal (Type D)	951-3159RP	951-3160RP	951-2967RP	951-3781RP	951-5159RP	951-5152RP
11	1	Seal (Type E)	951-3161RP	951-3162RP	951-2968RP	951-3782RP	951-5160RP	951-5153RP
11	1	Seal (Type F)	951-6415RP	951-6417RP	951-6419RP	951-6461RP	951-6456RP	951-6448RP
12	1	Sleeve O-Ring	592-525RP	951-3042RP	951-5277RP	592-525RP	951-3042RP	951-5277RP
22	1	Deflector	900-043RP	951-3040RP	951-3065RP	900-043RP	951-3040RP	951-3065RP
40	1	Seal Kit (Type B) SS	953-1549-1RP	953-1549-4RP	953-1549-14RP	953-1549-7RP	953-1549-10RP	953-1549-17RP
40	1	Seal Kit (Type B) Brz	953-1549-1BRP	953-1549-4BRP	953-1549-14BRP	953-1549-7BRP	953-1549-10BRP	953-1549-17BRP
40	1	Seal Kit (Type D) SS	953-1549-2RP	953-1549-5RP	953-1549-15RP	953-1549-8RP	953-1549-11RP	953-1549-18RP
40	1	Seal Kit (Type D) Brz	953-1549-2BRP	953-1549-5BRP	953-1549-15BRP	953-1549-8BRP	953-1549-11BRP	953-1549-18BRP
40	1	Seal Kit (Type E) SS	953-1549-3RP	953-1549-6RP	953-1549-16RP	953-1549-9RP	953-1549-12RP	953-1549-19RP
40	1	Seal Kit (Type E) Brz	953-1549-3BRP	953-1549-6BRP	953-1549-16BRP	953-1549-9BRP	953-1549-12BRP	953-1549-19BRP
40	1	Seal Kit (Type F) SS	953-1549-41RP	953-1549-42RP	953-1549-45RP	953-1549-43RP	953-1549-44RP	953-1549-46RP
40	1	Seal Kit (Type F) Brz	953-1549-41BRP	953-1549-42BRP	953-1549-45BRP	953-1549-43BRP	953-1549-44BRP	953-1549-46BRP

REV U
AW-698

Motor Replacement Parts



ITEM NO.	NO. REQ.	DESCRIPTION	FI 6009B MOTOR FRAMES (NEMA STANDARD) "T"											
			182T	184T	213T	215T	254T	256T	284T	286T	324T	326T	364T	
47	1	Coupler Guard	N/A	N/A	951-3079RP	951-3079RP	951-3079RP	951-3079RP	951-3079RP	951-3079RP	951-3079RP	951-3079RP	951-3079RP	N/A
109	1	Pump Coupler Half	N/A	N/A	953-2437RP	953-2437RP	953-2443RP	953-2450RP	953-2450RP	953-2458RP	953-2458RP	953-2458RP	953-2467RP	N/A
109A	1	Motor Coupler Half	N/A	N/A	953-2437RP	953-2437RP	953-2445RP	953-2452RP	953-2454RP	953-2462RP	953-2463RP	953-2463RP	953-2472RP	N/A
111	1	Coupler Insert	N/A	N/A	953-2430RP	953-2430RP	953-2438RP	953-2446RP	953-2446RP	953-2455RP	953-2455RP	953-2455RP	953-2464RP	N/A
*	1	OSHA Coupler Guard	N/A	N/A	953-2755RP	953-2755RP	953-2755RP	953-2755RP	953-2755RP	953-2755RP	953-2755RP	953-1916RP	953-1916RP	N/A
26	1	Base	N/A	N/A	953-2367RP	953-2367RP	953-4302RP	953-4302RP	953-4302RP	953-4302RP	953-4302RP	953-2367RP	953-2367RP	N/A
29	2	Spacer (1st) Motor	N/A	N/A	951-5208RP	951-5208RP	951-5208RP	951-5208RP	N/A	N/A	N/A	N/A	N/A	N/A
29B	2	Spacer (2nd) Motor	N/A	N/A	951-5204RP	951-5204RP	N/A	N/A	N/A	N/A	N/A	N/A	N/A	N/A
29A	4	Spacer Rd (1st) Motor	N/A	N/A	N/A	N/A	N/A	N/A	953-2229RP	953-2229RP	953-2229RP	N/A	N/A	N/A
29D	4	Spacer Rd (2nd) Motor	N/A	N/A	N/A	N/A	953-2228RP	953-2228RP	N/A	N/A	N/A	N/A	N/A	N/A
			FI 6009D MOTOR FRAMES (NEMA STANDARD) "T"											
ITEM NO.	NO. REQ.	DESCRIPTION	182T	184T	213T	215T	254T	256T	284T	286T	324T	326T	364T	
47	1	Coupler Guard	N/A	N/A	951-3079RP	951-3079RP	951-3079RP	951-3079RP	951-3079RP	951-3079RP	951-3079RP	951-3079RP	951-3079RP	N/A
109	1	Pump Coupler Half	N/A	N/A	953-2437RP	953-2437RP	953-2443RP	953-2450RP	953-2450RP	953-2458RP	953-2458RP	953-2458RP	953-2467RP	N/A
109A	1	Motor Coupler Half	N/A	N/A	953-2437RP	953-2437RP	953-2445RP	953-2452RP	953-2454RP	953-2462RP	953-2463RP	953-2463RP	953-2472RP	N/A
111	1	Coupler Insert	N/A	N/A	953-2430RP	953-2430RP	953-2438RP	953-2446RP	953-2446RP	953-2455RP	953-2455RP	953-2455RP	953-2464RP	N/A
*	1	OSHA Coupler Guard	N/A	N/A	953-2755RP	953-2755RP	953-2755RP	953-2755RP	953-2755RP	953-2755RP	953-1916RP	953-1916RP	953-1916RP	N/A
26	1	Base	N/A	N/A	953-6191RP	953-6191RP	953-6192RP	953-6192RP	953-6192RP	953-6192RP	953-6191RP	953-6191RP	953-6191RP	N/A
29	2	Spacer (1st) Motor	N/A	N/A	951-5208RP	951-5208RP	951-5208RP	951-5208RP	N/A	N/A	N/A	N/A	N/A	N/A
29B	2	Spacer (2nd) Motor	N/A	N/A	951-5204RP	951-5204RP	N/A	N/A	N/A	N/A	N/A	N/A	N/A	N/A
29A	4	Spacer Rd (1st) Motor	N/A	N/A	N/A	N/A	N/A	N/A	953-2229RP	953-2229RP	953-2229RP	N/A	N/A	N/A
29D	4	Spacer Rd (2nd) Motor	N/A	N/A	N/A	N/A	953-2228RP	953-2228RP	N/A	N/A	N/A	N/A	N/A	N/A
51	1	FOOT/SUPPORT	N/A	N/A	953-1642RP	953-1642RP	953-1642RP	953-1642RP	953-1642RP	953-1642RP	953-1642RP	953-1642RP	953-1642RP	N/A

AW-2012 REV A

Taco Comfort Solutions® A Taco Family Company

Taco, Inc., 1160 Cranston Street, Cranston, RI 02920 | Tel: (401) 942-8000 | FAX: (401) 942-2360

Taco (Canada), Ltd., 8450 Lawson Road, Suite #3, Milton, Ontario L9T 0J8 | Tel: (905) 564-9422 | FAX: (905) 564-9436

Visit our web site: www.TacoComfort.com | Printed in USA | ©2017 Taco, Inc.

