

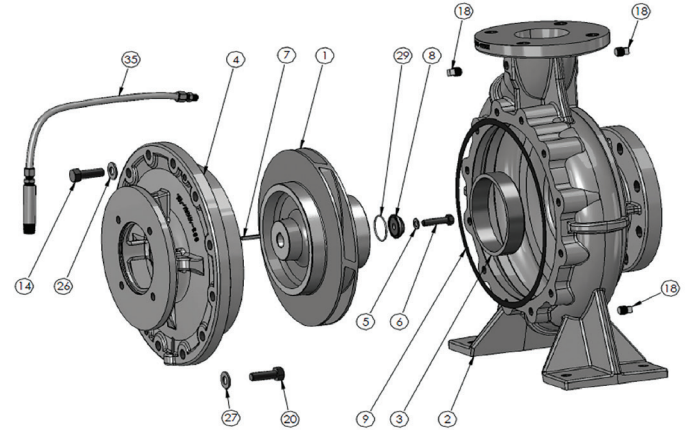
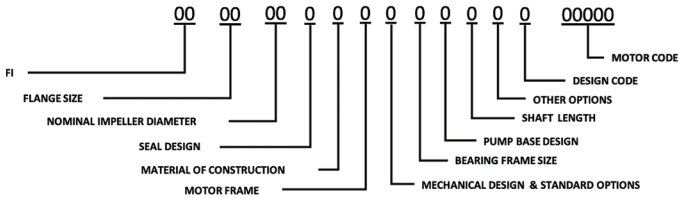
Replacement Parts List

FI 3013 & FI 3013D

SUPERSEDES: NEW

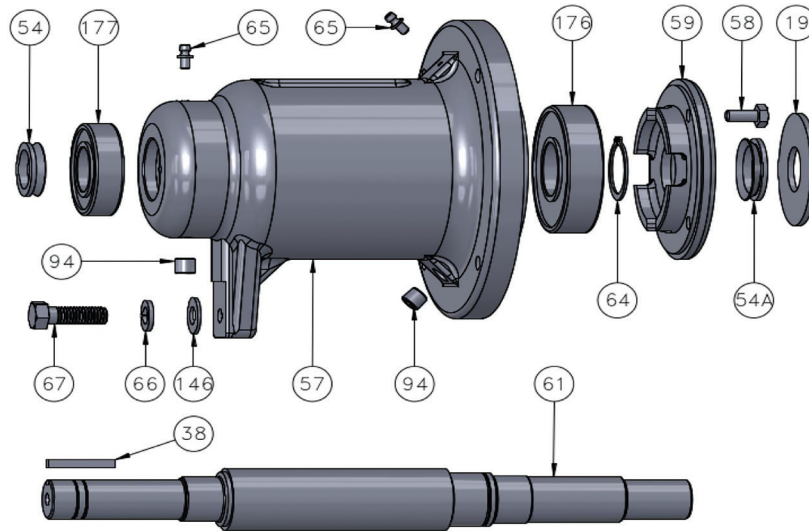
EFFECTIVE: December 31, 2018

WHEN SELECTING AND ORDERING PARTS, ALWAYS REFER TO SERIAL NUMBER ON NAMEPLATE



ITEM NUMBER	NUMBER REQUIRED	DESCRIPTION	FI 3013	FI 3013D
			BEARING FRAME J	BEARING FRAME L
1	1	Impeller (Cast Iron)	953-1137RP	N/A
1	1	Impeller (Bronze)	953-1139RP	953-6336RP
1	1	Impeller (Stainless Steel)	N/A	953-6336SRP
2	1	Casing (125#) (No W/R)	953-1144RP	953-6331RP
2	1	Casing (250#) (No W/R)	953-1255RP	953-6332RP
2	1	Casing (125#) (Bronze W/R)	953-2328RP	953-6333RP
2	1	Casing (250#) (Bronze W/R)	953-2329RP	953-6334RP
3	1 (W/R)	Wear Ring (Bronze)	953-1145RP	953-6193LRP
4	1	Cover, 125#	953-1146RP	953-6312-30RP
		Cover, 250#	953-1146RP	953-6313-30RP
5	1	Dowdy Washer	951-2579RP	951-2579RP
6	1	Impeller Bolt (Stainless Steel)	1/2 NC x 1 1/2 LG	1/2 NC x 2 LG
7	1	Impeller Key (Stainless Steel)	1/4 x 1/4 x 2 LG	3/8 x 3/8 x 2 LG
8	1	Impeller Washer	953-829RP	953-1099RP
9	1	Gasket (Casing)	953-1011RP	953-4790RP
14	16	Casing Bolt (Steel)	5/8 NC X 1 1/2 LG	5/8 NC X 2 LG
18	3	Pipe Plug	1/4 NPT	1/4 NPT
26	16	Casing Washer (Zinc)	5/8	5/8
29	1	Impeller O-Ring	950-111RP	951-5277RP
20	4	Motor Bolt	1/2 NC x 1 1/4 LG	1/2 NC x 1 1/4 LG
27	4	Motor Washer	1/2	1/2
35	1	Tube Kit	951-1547RP	951-1547RP

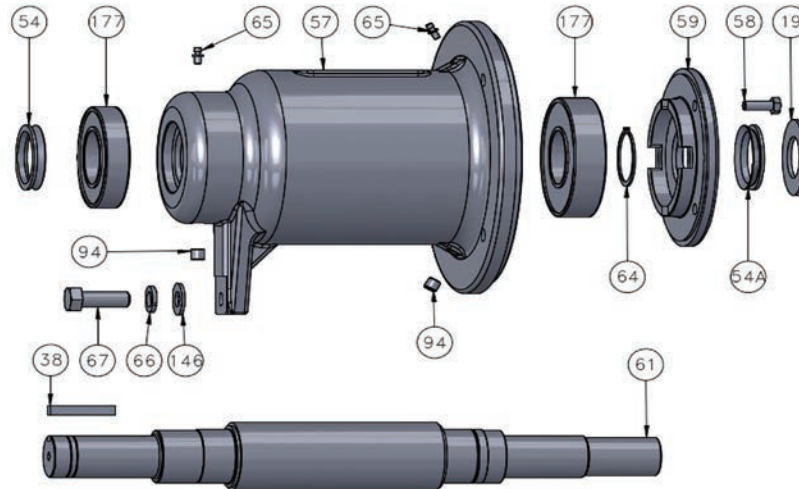
FI Series 'L' Frame Replacement Parts



ITEM NUMBER	NUMBER REQUIRED	DESCRIPTION	STANDARD SEALED BEARINGS	OPTIONAL GREASE-ABLE BEARINGS	REMARKS
			PART NO.	PART NO.	
-	1	FRAME ASSEMBLY (CS)	953-2226RP	953-2227RP	STAINLESS STEEL SHAFT
57	1	HOUSING	953-2207RP	953-2206RP	
61	1	SHAFT (CS)	953-2210RP	953-2210RP	STAINLESS STEEL
59	1	END CAP	953-2208RP	953-2208RP	
67	1	BOLT, FOOT SUPPORT	10-228RP	10-228RP	
66	1	LOCKWASHER, FOOT SUPPORT	14-102RP	14-102RP	
146	1	FLAT WASHER, FOOT SUPPORT	14-316RP	14-316RP	
38	1	KEY-SHAFT	13-110RP	13-110RP	
176	1	BALL BEARING, FRONT (THRUST)	951-5598RP	872-056RP	
177	1	BALL BEARING, REAR (RADIAL)	951-5599RP	950-2491RP	
19	1	DEFLECTOR	951-3040RP	951-3065RP	
64	1	RETAINING RING	15-141RP	15-141RP	
58	4	HEX HEAD BOLT, END CAP	10-207RP	10-227RP	
54	1	V RING SEAL, REAR	953-1575-3RP	953-1575-3RP	
54A	1	V RING SEAL, FRONT	953-1575-3RP	953-1575-3RP	
65	2	GREASE FITTING	N/A	15-203RP	
94	2	PIPE PLUG	N/A	16-140RP	

FI Series 'J' Frame Replacement Parts

(for Bearing Frames manufactured after January 2003 - see note below)



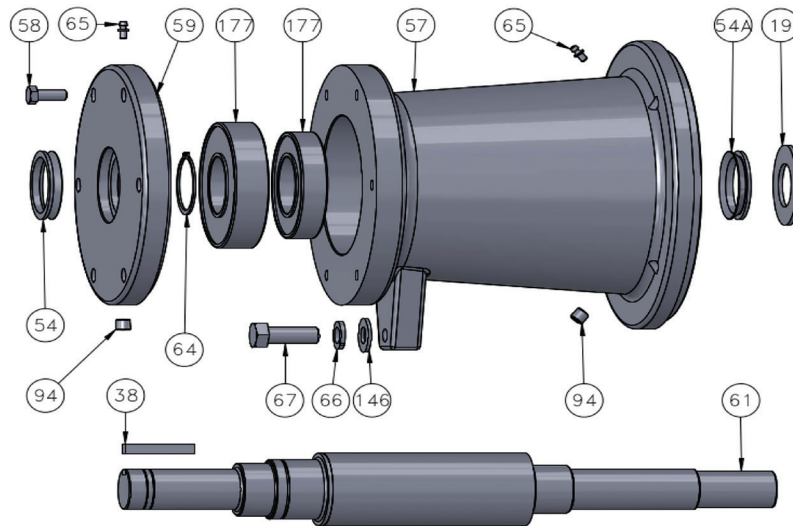
NOTE: Note difference in visual appearance of bearing frames on pages 3 and 4. New frames are a direct replacement for older ones. The part numbers for individual bearings are different from old frames to new frames. If you need help determining which frame you have, please contact tech services at Taco (401-942-8000).

ITEM NUMBER	NUMBER REQUIRED	DESCRIPTION	STANDARD SEALED BEARINGS	OPTIONAL GREASE-ABLE BEARINGS	REMARKS
			PART NO.	PART NO.	
-	1	FRAME ASSEMBLY (SS)	953-2222RP	953-2223RP	STAINLESS STEEL SHAFT
57	1	HOUSING	953-2203RP	953-2196RP	
61	1	SHAFT (SS)	953-2199RP	953-2199RP	STAINLESS STEEL
59	1	END CAP	953-2197RP	953-2197RP	
67	1	BOLT, FOOT SUPPORT	10-228RP	10-228RP	
66	1	LOCKWASHER, FOOT SUPPORT	14-102RP	14-102RP	
146	1	FLAT WASHER, FOOT SUPPORT	14-316RP	14-316RP	
38	1	KEY-SHAFT	13-110RP	13-110RP	
176	1	BALL BEARING, FRONT (THRUST)	953-2215RP	950-963RP	
177	1	BALL BEARING, REAR (RADIAL)	951-5599RP	951-2491RP	
19	1	DEFLECTOR	951-3040RP	951-3040RP	
64	1	RETAINING RING	15-140RP	15-140RP	
58	4	HEX HEAD BOLT, END CAP	10-207RP	10-207RP	
54	1	V RING SEAL, REAR	953-1575-3RP	953-1575-3RP	
54A	1	V RING SEAL, FRONT	953-1575-3RP	953-1575-3RP	
65	2	GREASE FITTING	N/A	15-203RP	
94	2	PIPE PLUG	N/A	16-140RP	

AW-717 Rev H

FI 'J' Frame Replacement Parts

(for Bearing Frames manufactured prior to February 2003 - see note below)

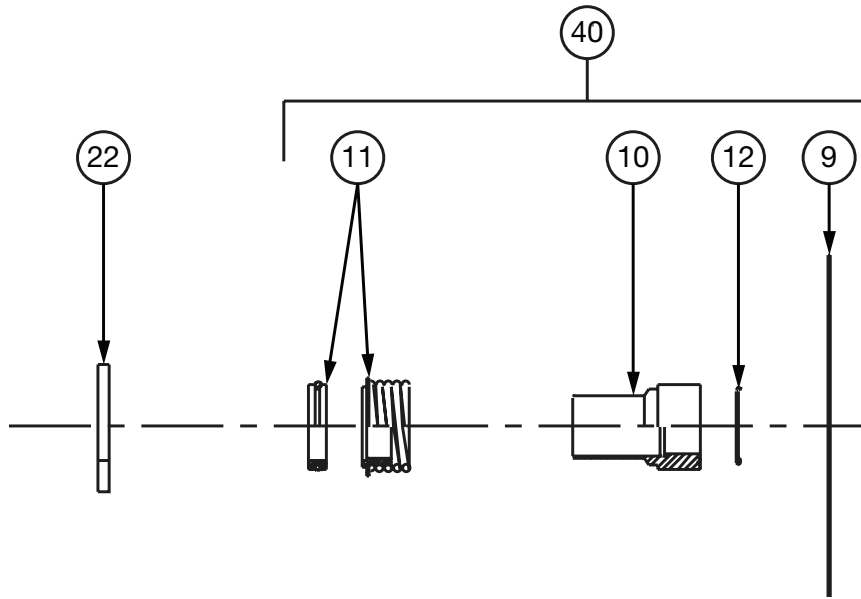


NOTE: Note difference in visual appearance of bearing frames on pages 3 and 4. New frames are a direct replacement for older ones. The part numbers for individual bearings are different from old frames to new frames. If you need help determining which frame you have, please contact tech services at Taco (401-942-8000).

ITEM NUMBER	NUMBER REQUIRED	DESCRIPTION	STANDARD SEALED BEARINGS	OPTIONAL GREASE-ABLE BEARINGS	REMARKS
			PART NO.	PART NO.	
-	1	FRAME ASSEMBLY (SS)	953-1572RP	953-1881RP	STAINLESS STEEL SHAFT
57	1	HOUSING	953-1565RP	953-1866RP	
61	1	SHAFT (SS)	953-1663RP	953-1663RP	STAINLESS STEEL
59	1	END CAP	953-1567RP	953-1869RP	
67	1	BOLT, FOOT SUPPORT	10-234RP	10-234RP	
66	1	LOCKWASHER, FOOT SUPPORT	14-102RP	14-102RP	
146	1	FLAT WASHER, FOOT SUPPORT	14-302RP	14-302RP	
38	1	KEY-SHAFT	13-110RP	13-110RP	
176	1	BALL BEARING, FRONT (THRUST)	953-1871RP	951-155RP	
177	1	BALL BEARING, REAR (RADIAL)	953-1876RP	862-101RP	
19	1	DEFLECTOR	951-3040RP	951-3040RP	
64	1	RETAINING RING	15-127RP	15-127RP	
58	4	HEX HEAD BOLT, END CAP	10-227RP	10-227RP	
54	1	V RING SEAL, REAR	953-1575-3RP	953-1575-3RP	
54A	1	V RING SEAL, FRONT	953-1575-4RP	953-1575-4RP	
65	2	GREASE FITTING	N/A	15-203RP	
94	2	PIPE PLUG	N/A	16-140RP	

AW-717 Rev H

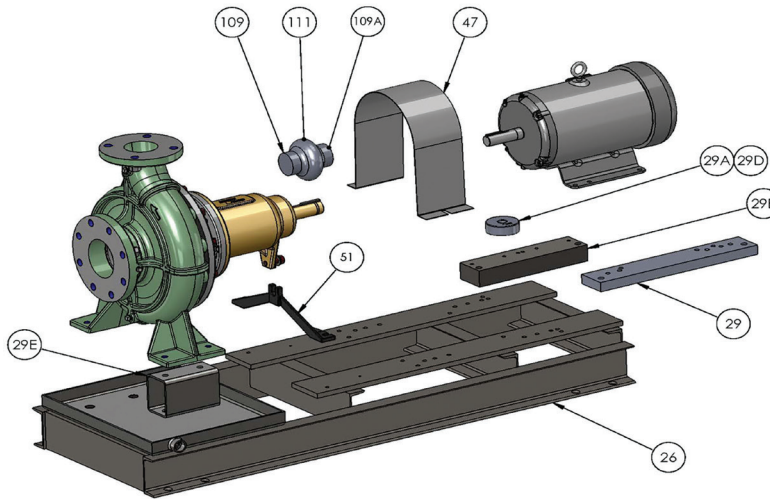
FI Series Seal Replacement Parts (EPT)



ITEM NO.	NO. REQ.	DESCRIPTION	3013	3013D	3013	3013D
			BEARING FRAME			
			J	L	J	L
			MECHANICAL DESIGN (125#)		MECHANICAL DESIGN (250#)	
9	1	Gasket (Casing)	See Page 1	See Page 1	See Page 1	See Page 1
10	1	Sleeve (SS)	953-1170RP	953-1127RP	953-1891RP	953-1890RP
10	1	Sleeve (Brz)	953-1171RP	953-1173RP	953-1887RP	953-1888RP
11	1	Seal (Type B)	951-3158RP	951-2966RP	951-5158RP	951-5151RP
11	1	Seal (Type D)	951-3160RP	951-2967RP	951-5159RP	951-5152RP
11	1	Seal (Type E)	951-3162RP	951-2968RP	951-5160RP	951-5153RP
11	1	Seal (Type F)	951-6417RP	951-6419RP	951-6456RP	951-6448RP
12	1	Sleeve O-Ring	951-3042RP	951-5277RP	951-3042RP	951-5277RP
22	1	Deflector	951-3040RP	951-3065RP	951-3040RP	951-3065RP
40	1	Seal Kit (Type B) SS	953-1549-4RP	953-1549-14RP	953-1549-10RP	953-1549-17RP
40	1	Seal Kit (Type B) Brz	953-1549-4BRP	953-1549-14BRP	953-1549-10BRP	953-1549-17BRP
40	1	Seal Kit (Type D) SS	953-1549-5RP	953-1549-15RP	953-1549-11RP	953-1549-18RP
40	1	Seal Kit (Type D) Brz	953-1549-5BRP	953-1549-15BRP	953-1549-11BRP	953-1549-18BRP
40	1	Seal Kit (Type E) SS	953-1549-6RP	953-1549-16RP	953-1549-12RP	953-1549-19RP
40	1	Seal Kit (Type E) Brz	953-1549-6BRP	953-1549-16BRP	953-1549-12BRP	953-1549-19BRP
40	1	Seal Kit (Type F) SS	953-1549-42RP	953-1549-45RP	953-1549-44RP	953-1549-46RP
40	1	Seal Kit (Type F) Brz	953-1549-42BRP	953-1549-45BRP	953-1549-44BRP	953-1549-46BRP

From AW-698 Rev U

Motor Replacement Parts



ITEM NUMBER	QTY.	DESCRIPTION	FI-3013 MOTOR FRAMES (NEMA STANDARD) "T"						
			213T	215T	254T	256T	284T	286T	324T
47	1	Coupler Guard	951-3079RP	951-3079RP	951-3079RP	951-3079RP	951-3079RP	951-3079RP	951-3079RP
109	1	Coupler Hub, Pump	953-2437P	953-2437P	953-2443P	953-2450RP	953-2450RP	953-2458RP	953-2458RP
109A	1	Coupler Hub, Motor	953-2437P	953-2437P	953-2445RP	953-2452RP	953-2454RP	953-2462RP	953-2463RP
111	1	Coupler Insert	953-2430RP	953-2430RP	953-2438RP	953-2446RP	953-2446RP	953-2455RP	953-2455RP
*	1	OSHA Coupler Guard	953-2755RP	953-2755RP	953-2755RP	953-2755RP	953-2755RP	953-2755RP	953-2756RP
26	1	Base	953-2365RP	953-2365RP	953-2365RP	953-2365RP	953-2365RP	953-2365RP	953-2365RP
29	2	Spacer, Motor	951-5208RP	951-5208RP	951-5208RP	951-5208RP	N/A	N/A	N/A
29A	4	Spacer Round, Motor	N/A	N/A	953-2228RP	953-2228RP	953-2229RP	953-2229RP	N/A
29B	2	Spacer, Motor	951-5204RP	951-5204RP	N/A	N/A	N/A	N/A	N/A
51	1	Foot Support	953-1642RP	953-1642RP	953-1642RP	953-1642RP	953-1642RP	953-1642RP	953-1642RP
ITEM NUMBER	QTY.	DESCRIPTION	FI-3013D MOTOR FRAMES (NEMA STANDARD) "T"						
			213T	215T	254T	256T	284T	286T	324T
47	1	Coupler Guard	951-3574RP	951-3574RP	951-3574RP	951-3574RP	951-3574RP	951-3574RP	951-3574RP
109	1	Coupler Hub, Pump	953-2445RP	953-2445RP	953-2452RP	953-2452RP	953-2452RP	953-2460RP	953-2460RP
109A	1	Coupler Hub, Motor	953-2443RP	953-2443RP	953-2452RP	953-2452RP	953-2454RP	953-2462RP	953-2463RP
111	1	Coupler Insert	953-2438RP	953-2438RP	953-2446RP	953-2446RP	953-2446RP	953-2455RP	953-2455RP
*	1	OSHA Coupler Guard	953-2755RP	953-2755RP	953-2755RP	953-2755RP	953-2755RP	953-2755RP	953-2755RP
26	1	Base	953-6320RP	953-6320RP	953-6321RP	953-6321RP	953-6321RP	953-6321RP	953-6321RP
29	2	Spacer, Motor	951-5208RP	951-5208RP	951-6292RP	951-6292RP	N/A	N/A	N/A
29A	4	Spacer Round, Motor	N/A	N/A	953-2228RP	953-2228RP	953-2229RP	953-2229RP	N/A
29B	2	Spacer, Motor	951-5204RP	951-5204RP	N/A	N/A	N/A	N/A	N/A
51	1	Foot Support	953-1642RP	953-1642RP	953-1642RP	953-1642RP	953-1642RP	953-1642RP	953-1642RP

AW-2051 Rev -



Taco, Inc., 1160 Cranston Street, Cranston, RI 02920 | Tel: (401) 942-8000 | FAX: (401) 942-2360

Taco (Canada), Ltd., 8450 Lawson Road, Suite #3, Milton, Ontario L9T 0J8 | Tel: (905) 564-9422 | FAX: (905) 564-9436

Visit our web site: www.TacoComfort.com | Printed in USA | ©2018 Taco, Inc.

