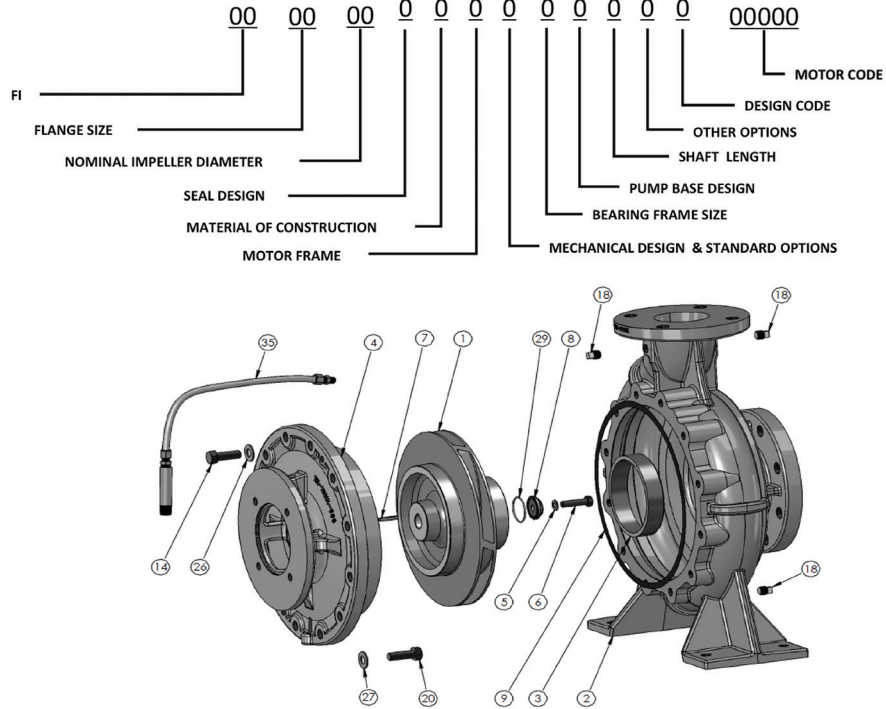


Replacement Parts List

FI 3009, FI 3009C & FI 3009D

SUPERSEDES: December 31, 2018

EFFECTIVE: April 11, 2019

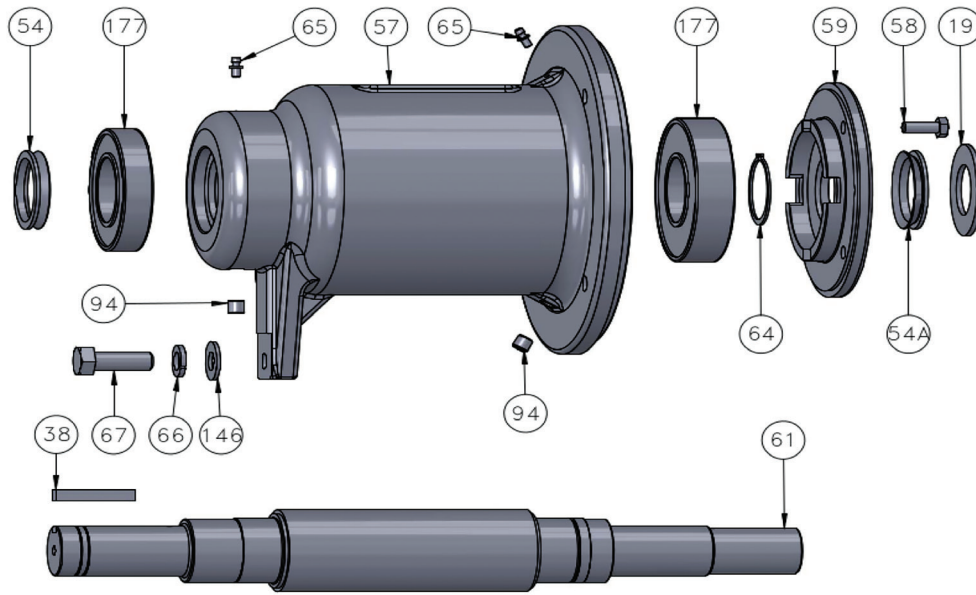


ITEM NUMBER	NUMBER REQUIRED	DESCRIPTION	FI 3009	FI 3009C	FI 3009D
			BEARING FRAME J	BEARING FRAME J	BEARING FRAME J
1	1	Impeller (Bronze)(1160, 1450 & 1760 RPM)	953-1040RP **	953-1040RP **	953-6183RP
1	1	Impeller (Stainless Steel)(1160, 1450 & 1760 RPM)	N/A	N/A	953-6183SRP
1	1	Impeller (BRZ) (With B/H, 2900 & 3600 RPM)	N/A	N/A	953-6185RP
1	1	Impeller (SS) (With B/H, 2900 & 3600 RPM)	N/A	N/A	953-6185SRP
2	1	Casing (125#) (No W/R)	953-1035RP	953-4373RP	953-6178RP
2	1	Casing (250#) (No W/R)	953-1036RP	953-4376RP	953-6179RP
2	1	Casing (125#) (Bronze W/R)	953-2306RP	953-4375RP	953-6180RP
2	1	Casing (250#) (Bronze W/R)	953-2307RP	953-4374RP	953-6181RP
3	1 (W/R)	Wear Ring (Bronze)	953-1387RP	953-1387RP	953-6193LRP
4	1	Cover, 125#	953-901RP	953-901RP	953-6039-30RP
		Cover, 250#	953-901RP	953-901RP	953-6040-30RP
5	1	Dowdy Washer	951-2579RP	951-2579RP	951-2579RP
6	1	Impeller Bolt (Stainless Steel)	1/2 NC x 1 1/2 LG	1/2 NC x 1 1/2 LG	1/2 NC x 1 1/2 LG
7	1	Impeller Key (Stainless Steel)	1/4 x 1/4 x 2 LG	1/4 x 1/4 x 2 LG	1/4 x 1/4 x 2 LG
8	1	Impeller Washer	953-829RP	953-829RP	953-829RP
9	1	Gasket (Casing)	953-1009RP	953-1009RP	953-4383RP
14	12	Casing Bolt (Steel)	3/8 NC x 1 LG	3/8 NC x 1 LG	3/8 NC x 1 1/4 LG
18	3	Pipe Plug (Steel)	1/4 NPT	1/4 NPT	1/4 NPT
26	12	Casing Washer (Zinc)	3/8	3/8	3/8
29	1	Impeller O-ring	953-759RP	953-759RP	953-759RP
20	4	Bearing Frame Bolt	1/2 NC x 1 1/4 LG	1/2 NC x 1 1/4 LG	1/2 NC x 1 1/4 LG
27	4	Bearing Frame Washer	1/2	1/2	1/2
35	1	Tube Kit	951-1547RP	951-1547RP	951-1547RP

** 3009 IMPELLER IS AVAILABLE FOR ALL SPEEDS

FI 'J' Frame Replacement Parts

(for Bearing Frames manufactured after January 2003 - see note below)

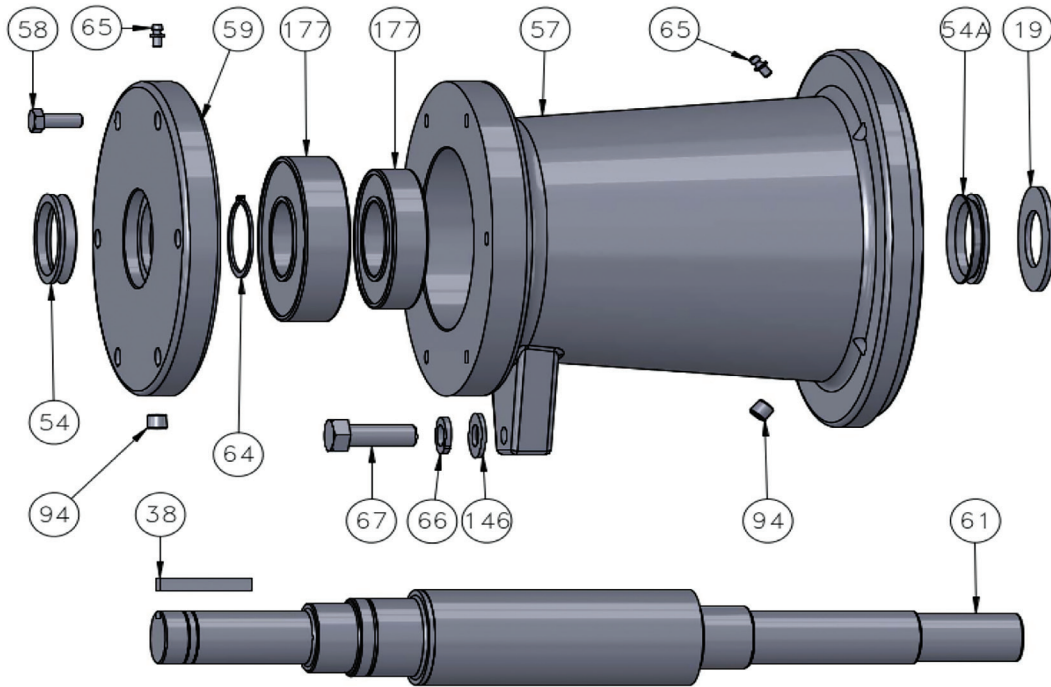


NOTE: Note difference in visual appearance of bearing frames on pages 3 and 4. New frames are a direct replacement for older ones. The part numbers for individual bearings are different from old frames to new frames. If you need help determining which frame you have, please contact tech services at Taco (401-942-8000).

ITEM NUMBER	NUMBER REQUIRED	DESCRIPTION	STANDARD SEALED BEARINGS	OPTIONAL GREASEABLE BEARINGS	REMARKS
			PART NO.	PART NO.	
-	1	FRAME ASSEMBLY (CS)	953-2214RP	953-2217RP	CARBON STEEL SHAFT
-	1	FRAME ASSEMBLY (SS)	953-2222RP	953-2223RP	STAINLESS STEEL SHAFT
57	1	HOUSING	953-2203RP	953-2196RP	
61	1	SHAFT (CS)	953-2198RP	953-2198RP	CARBON STEEL
61	1	SHAFT (SS)	953-2199RP	953-2199RP	STAINLESS STEEL
59	1	END CAP	953-2197RP	953-2197RP	
67	1	BOLT, FOOT SUPPORT	10-228RP	10-228RP	
66	1	LOCKWASHER, FOOT SUPPORT	14-102RP	14-102RP	
146	1	FLAT WASHER, FOOT SUPPORT	14-316RP	14-316RP	
38	1	KEY-SHAFT	13-110RP	13-110RP	
176	1	BALL BEARING, FRONT (THRUST)	953-2215RP	950-963RP	
177	1	BALL BEARING, REAR (RADIAL)	951-5599RP	951-2491RP	
19	1	DEFLECTOR	951-3040RP	951-3040RP	
64	1	RETAINING RING	15-140RP	15-140RP	
58	4	HEX HEAD BOLT, END CAP	10-207RP	10-207RP	
54	1	V RING SEAL, REAR	953-1575-3RP	953-1575-3RP	
54A	1	V RING SEAL, FRONT	953-1575-3RP	953-1575-3RP	
65	2	GREASE FITTING	N/A	15-203RP	
94	2	PIPE PLUG	N/A	16-140RP	

FI 'J' Frame Replacement Parts

(for Bearing Frames manufactured prior to January 2003 - see note below)

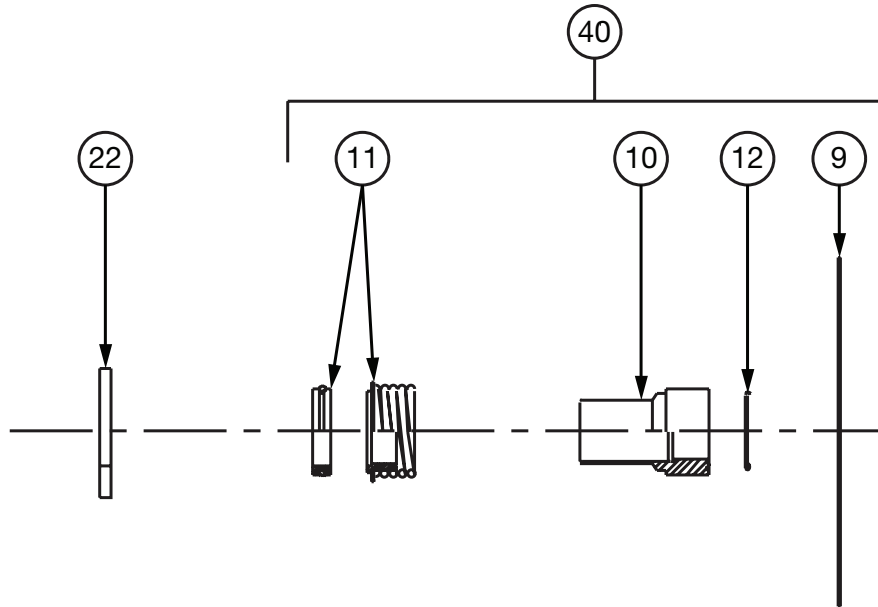


NOTE: Note difference in visual appearance of bearing frames on pages 3 and 4. New frames are a direct replacement for older ones. The part numbers for individual bearings are different from old frames to new frames. If you need help determining which frame you have, please contact tech services at Taco (401-942-8000)

ITEM NUMBER	NUMBER REQUIRED	DESCRIPTION	STANDARD SEALED BEARINGS	OPTIONAL GREASEABLE BEARINGS	REMARKS
			PART NO.	PART NO.	
-	1	FRAME ASSEMBLY (CS)	953-1571RP	953-1880RP	CARBON STEEL SHAFT
-	1	FRAME ASSEMBLY (SS)	953-1572RP	953-1881RP	STAINLESS STEEL SHAFT
57	1	HOUSING	953-1565RP	953-1866RP	
61	1	SHAFT (CS)	953-1658RP	953-1658RP	CARBON STEEL
61	1	SHAFT (SS)	953-1663RP	953-1663RP	STAINLESS STEEL
59	1	END CAP	953-1567RP	953-1869RP	
67	1	BOLT, FOOT SUPPORT	10-234RP	10-234RP	
66	1	LOCKWASHER, FOOT SUPPORT	14-102RP	14-102RP	
146	1	FLAT WASHER, FOOT SUPPORT	14-302RP	14-302RP	
38	1	KEY-SHAFT	13-110RP	13-110RP	
176	1	BALL BEARING, FRONT (THRUST)	953-1871RP	951-155RP	
177	1	BALL BEARING, REAR (RADIAL)	953-1876RP	862-101RP	
19	1	DEFLECTOR	951-3040RP	951-3040RP	
64	1	RETAINING RING	15-127RP	15-127RP	
58	4	HEX HEAD BOLT, END CAP	10-227RP	10-227RP	
54	1	V RING SEAL, REAR	953-1575-3RP	953-1575-3RP	
54A	1	V RING SEAL, FRONT	953-1575-4RP	953-1575-4RP	
65	2	GREASE FITTING	N/A	15-203RP	
94	2	PIPE PLUG	N/A	16-140RP	

AW-717 REV G

Seal Replacement Parts (EPT)

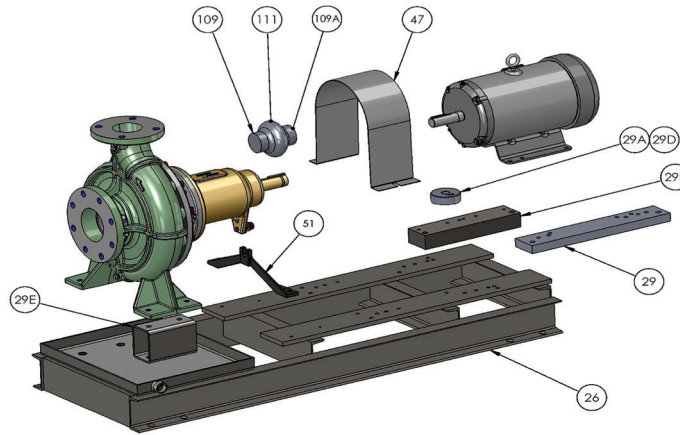


3009, 3009C, 3009D	3009, 3009C, 3009D
--------------------	--------------------

ITEM NO.	NO. REQ.	DESCRIPTION	BEARING FRAME	
			J	
			MECHANICAL DESIGN (125#)	MECHANICAL DESIGN (250#)
9	1	Gasket (Casing)	See Page 1	See Page 1
10	1	Sleeve (SS)	953-1170RP	953-1891RP
10	1	Sleeve (Brz)	953-1171RP	953-1887RP
11	1	Seal (Type B)	951-3158RP	951-5158RP
11	1	Seal (Type D)	951-3160RP	951-5159RP
11	1	Seal (Type E)	951-3162RP	951-5160RP
11	1	Seal (Type F)	951-6417RP	951-6456RP
12	1	Sleeve O-Ring	951-3042RP	951-3042RP
22	1	Deflector	951-3040RP	951-3040RP
40	1	Seal Kit (Type B) SS	953-1549-4RP	953-1549-10RP
40	1	Seal Kit (Type B) Brz	953-1549-4BRP	953-1549-10BRP
40	1	Seal Kit (Type D) SS	953-1549-5RP	953-1549-11RP
40	1	Seal Kit (Type D) Brz	953-1549-5BRP	953-1549-11BRP
40	1	Seal Kit (Type E) SS	953-1549-6RP	953-1549-12RP
40	1	Seal Kit (Type E) Brz	953-1549-6BRP	953-1549-12BRP
40	1	Seal Kit (Type F) SS	953-1549-42RP	953-1549-44RP
40	1	Seal Kit (Type F) Brz	953-1549-42BRP	953-1549-44BRP

From AW-698 Rev U

Motor Replacement Parts



#: See FI Base Hardware Spreadsheet for All Pumps

FI 3009 MOTOR FRAMES (NEMA STANDARD) "T"

ITEM NO.	NO. REQ.	DESCRIPTION	145T	182T	184T	213T	215T	254T	256T	284T	286TS	324TS	326TS	364TS	365TS	405TS
47	1	Coupler Guard	951-3076RP	951-3076RP	951-3076RP	951-3076RP	951-3076RP	951-3077RP	N/A	N/A	951-3577RP	951-3577RP	951-3577RP	951-3577RP	951-3577RP	951-3141RP
109	1	Pump Coupler Half	953-2437RP	953-2437RP	953-2437RP	953-2437RP	953-2437RP	953-2443RP	N/A	N/A	953-2450RP	953-2450RP	953-2458RP	953-2458RP	953-2467RP	953-2467RP
109A	1	Motor Coupler Half	953-2433RP	953-2435RP	953-2435RP	953-2437RP	953-2437RP	953-2445RP	N/A	N/A	953-2452RP	953-2454RP	953-2462RP	953-2462RP	953-2471RP	953-2472RP
111	1	Coupler Insert	953-2430RP	953-2430RP	953-2430RP	953-2430RP	953-2430RP	953-2438RP	N/A	N/A	953-2446RP	953-2446RP	953-2455RP	953-2455RP	953-2464RP	953-2464RP
*	1	OSHA Coupler Guard	953-1914RP	953-2754RP	953-2755RP	953-2755RP	953-2755RP	953-2755RP	N/A	N/A	953-2755RP	953-2755RP	953-2755RP	953-2755RP	953-1916RP	953-1916RP
26	1	Base	953-2361RP	953-2361RP	953-2361RP	953-2361RP	953-2361RP	953-1716RP	N/A	N/A	953-4574RP	953-2269RP	953-2269RP	953-2269RP	953-2269RP	953-2045RP
29	2	Spacer (1st) Motor	951-5202RP	N/A	N/A	N/A	N/A	N/A	N/A	N/A	953-4305RP	N/A	N/A	N/A	N/A	N/A
29B	2	Spacer (2nd) Motor	951-5201RP	N/A	N/A	N/A	N/A	N/A	N/A	N/A	N/A	N/A	N/A	N/A	N/A	N/A
29A	4	Spacer Rd (1st) Motor	N/A	953-2228RP	953-2228RP	N/A	N/A	N/A	N/A	N/A	N/A	953-2229RP	953-2229RP	N/A	N/A	N/A
51	1	Foot Support	953-1639RP	953-1639RP	953-1639RP	953-1639RP	953-1639RP	953-1640RP	N/A	N/A	953-1643RP	953-1643RP	953-1643RP	953-1643RP	953-1643RP	953-1644RP

AW-1129 Rev A

Note: Include "RP" at end of product number.

Motor Replacement Parts

FI 3009C MOTOR FRAMES (NEMA STANDARD) "T"																
ITEM NO.	NO. REQ.	DESCRIPTION	145T	182T	184T	213T	215T	254T	256T	284T	286T	324T	326T	364T	365T	405TS
47	1	Coupler Guard	951-3076RP	951-3076RP	951-3076RP	951-3076RP	951-3076RP	N/A	N/A	951-3577RP	951-3577RP	951-3577RP	951-3577RP	951-3577RP	951-3577RP	N/A
109	1	Pump Coupler Half	953-2437RP	953-2437RP	953-2437RP	953-2437RP	953-2437RP	N/A	N/A	953-2443RP	953-2450RP	953-2450RP	953-2458RP	953-2458RP	953-2467RP	N/A
109A	1	Motor Coupler Half	953-2433RP	953-2435RP	953-2435RP	953-2437RP	953-2437RP	N/A	N/A	953-2445RP	953-2452RP	953-2454RP	953-2462RP	953-2462RP	953-2471RP	N/A
111	1	Coupler Insert	953-2430RP	953-2430RP	953-2430RP	953-2430RP	953-2430RP	N/A	N/A	953-2438RP	953-2446RP	953-2446RP	953-2455RP	953-2455RP	953-2464RP	N/A
*	1	OSHA Coupler Guard	953-1914RP	953-2754RP	953-2755RP	953-2755RP	953-2755RP	N/A	N/A	953-2755RP	953-2755RP	953-2755RP	953-2755RP	953-2755RP	953-1916RP	N/A
26	1	Base	953-2361RP	953-2361RP	953-2361RP	953-6301RP	953-6301RP	N/A	N/A	953-4385RP	953-4385RP	953-2269RP	953-2269RP	953-2269RP	953-2269RP	N/A
29	2	Spacer (1st) Motor	951-5202RP	N/A	N/A	N/A	N/A	N/A	N/A	953-4305RP	953-4305RP	N/A	N/A	N/A	N/A	N/A
29B	2	Spacer (2nd) Motor	951-5201RP	N/A	N/A	N/A	N/A	N/A	N/A	N/A	N/A	N/A	N/A	N/A	N/A	N/A
29A	4	Spacer Rd (1st) Motor	N/A	953-2228RP	953-2228RP	N/A	N/A	N/A	N/A	N/A	N/A	953-2229RP	953-2229RP	N/A	N/A	N/A
51	1	Foot Support	953-1639RP	953-1639RP	953-1639RP	953-1639RP	953-1639RP	N/A	N/A	953-1643RP	953-1643RP	953-1643RP	953-1643RP	953-1643RP	953-1643RP	953-1643RP

FI 3009D MOTOR FRAMES (NEMA STANDARD) "T"																	
ITEM NO.	NO. REQ.	DESCRIPTION	145T	182T	184T	213T	215T	254T	256T	284TS	286TS	324TS	326TS	364TS	365TS	404TS	405TS
47	1	Coupler Guard	951-3076RP	951-3076RP	951-3076RP	951-3076RP	951-3076RP	951-3077RP	951-3077RP	951-3577RP	951-3577RP	951-3577RP	951-3577RP	951-3577RP	951-3577RP	951-3141RP	951-3141RP
109	1	Pump Coupler Half	953-2437RP	953-2437RP	953-2437RP	953-2437RP	953-2437RP	953-2450RP	953-2450RP	953-2450RP	953-2450RP	953-2450RP	953-2458RP	953-2458RP	953-2467RP	953-3240RP	953-2467RP
109A	1	Motor Coupler Half	953-2433RP	953-2435RP	953-2435RP	953-2437RP	953-2437RP	953-2452RP	953-2452RP	953-2452RP	953-2452RP	953-2454RP	953-2462RP	953-2462RP	953-2471RP	953-2539RP	953-2472RP
111	1	Coupler Insert	953-2430RP	953-2430RP	953-2430RP	953-2430RP	953-2430RP	953-2446RP	953-2446RP	953-2446RP	953-2446RP	953-2446RP	953-2455RP	953-2455RP	953-2464RP	953-2475RP	953-2464RP
*	1	OSHA Coupler Guard	953-1914RP	953-2754RP	953-2754RP	953-2754RP	953-2754RP	953-2754RP	953-2754RP	953-2755RP	953-2755RP	953-2755RP	953-2755RP	953-2755RP	953-1916RP	953-1916RP	953-1916RP
26	1	Base	953-6267RP	953-6267RP	953-6267RP	953-6267RP	953-6267RP	953-6268RP	953-6268RP	953-6269RP	953-6269RP	953-6270RP	953-6270RP	953-6270RP	953-6270RP	953-6271RP	953-6271RP
29	2	Spacer (1st) Motor	951-5202RP	N/A	N/A	N/A	N/A	N/A	N/A	953-4305RP	953-4305RP	N/A	N/A	N/A	N/A	N/A	N/A
29B	2	Spacer (2nd) Motor	951-5201RP	N/A	N/A	N/A	N/A	N/A	N/A	N/A	N/A	N/A	N/A	N/A	N/A	N/A	N/A
29A	4	Spacer Rd (1st) Motor	N/A	953-2228RP	953-2228RP	N/A	N/A	N/A	N/A	N/A	N/A	953-2229RP	953-2229RP	N/A	N/A	N/A	N/A
51	1	Foot Support	953-1639RP	953-1639RP	953-1639RP	953-1639RP	953-1639RP	953-1640RP	953-1640RP	953-1643RP	953-1643RP	953-1643RP	953-1643RP	953-1643RP	953-1643RP	953-1644RP	953-1644RP
29E	2	Spacer, Pump	N/A	N/A	N/A	N/A	N/A	N/A	N/A	N/A	N/A	N/A	N/A	N/A	N/A	953-2046RP	953-2046RP

AW-1129 Rev A

Note: Include "RP" at end of product number.



Taco, Inc., 1160 Cranston Street, Cranston, RI 02920 | Tel: (401) 942-8000 | FAX: (401) 942-2360

Taco (Canada), Ltd., 8450 Lawson Road, Suite #3, Milton, Ontario L9T 0J8 | Tel: (905) 564-9422 | FAX: (905) 564-9436

Visit our web site: www.TacoComfort.com | Printed in USA | ©2017 Taco, Inc.

