

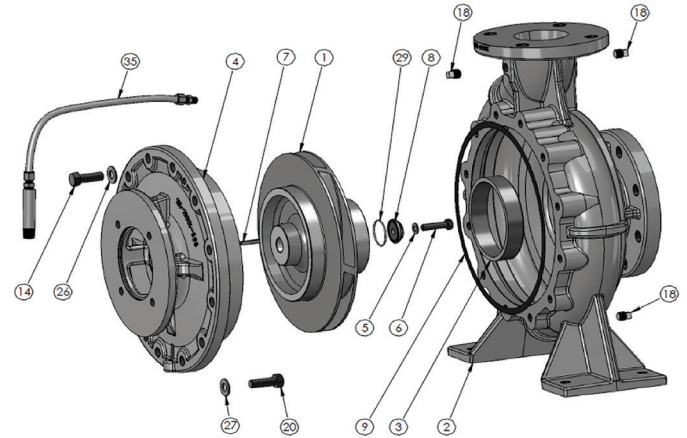
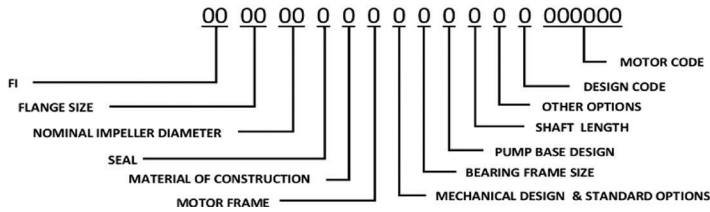
Replacement Parts List

FI 3007 & FI 3007D

SUPERSEDES: January 16, 2017

EFFECTIVE: May 30, 2019

WHEN SELECTING AND ORDERING PARTS, ALWAYS REFER TO SERIAL NUMBER ON NAMEPLATE



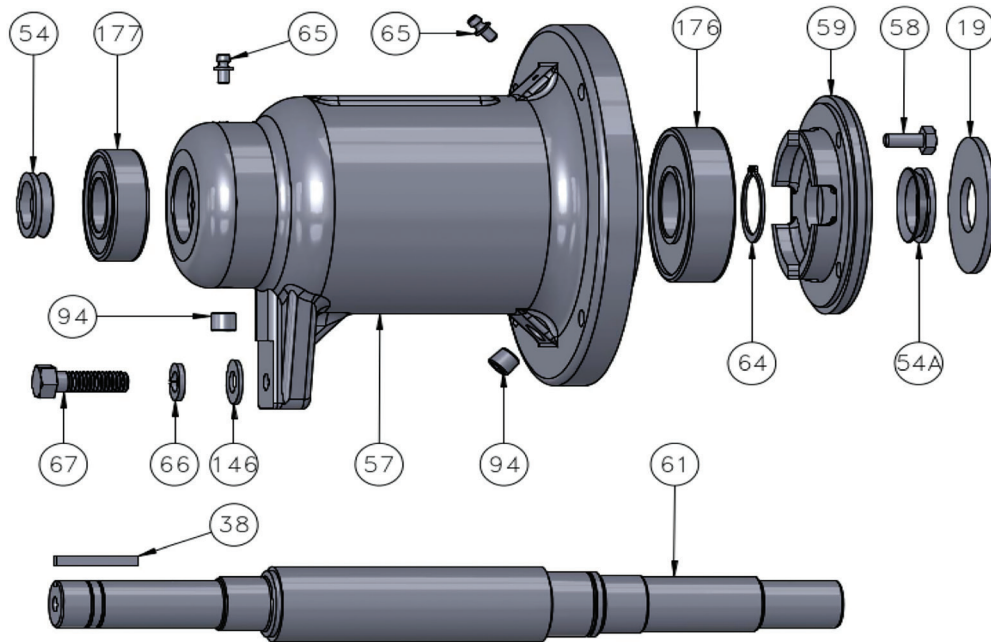
ITEM NUMBER	NUMBER REQUIRED	DESCRIPTION	FI 3007	FI 3007D
			BEARING FRAME J	BEARING FRAME J
1	1	Impeller (Bronze)	953-1056RP**	953-6365RP
1	1	Impeller (Stainless Steel)	N/A	953-6365SRP
1	1	Impeller (BRZ) (With B/H, 2900 & 3600 RPM)	N/A	953-6365RP
1	1	Impeller (SS) (With B/H, 2900 & 3600 RPM)	N/A	953-6365SRP
2	1	Casing (125#) (No W/R)	953-590RP	953-6360RP
2	1	Casing (250#) (No W/R)	953-591RP	953-6361RP
2	1	Casing (125#) (Bronze W/R)	953-2292RP	953-6362RP
2	1	Casing (250#) (Bronze W/R)	953-2293RP	953-6363RP
3	1 (W/R)	Wear Ring (Bronze)	953-598RP	953-6367LRP
4	1	Cover	953-566RP	953-6046-40RP
5	1	Dowdy Washer	951-2579RP	951-2579RP
6	1	Impeller Bolt (Stainless Steel)	1/2 NC x 1 1/2 LG	1/2 NC x 2 LG
7	1	Impeller Key (Stainless Steel)	1/4 x 1/4 x 2 LG	1/4 x 1/4 x 2 LG
8	1	Impeller Washer	953-829RP	953-829RP
9	1	Gasket (Casing)	953-568RP	953-5007RP
14	8	Casing Bolt (Steel)	3/8 NC X 1 LG	3/8 NC X 1 1/4 LG
18	4	Pipe Plug (Brass)	1/4 NPT	1/4 NPT
26	8	Casing Washer (Zinc)	3/8	3/8
29	1	Impeller Gasket	953-759RP	953-759RP
20	4	Motor Bolt	1/2 NC x 1 1/4 LG	1/2 NC x 1 1/4 LG
27	4	Motor Washer	1/2	1/2
35	1	Tube Kit	951-1547RP	951-1547RP

AW-691 Rev C

** 3007 IMPELLER IS AVAILABLE FOR ALL SPEEDS

FI 'J' Frame Replacement Parts

(for Bearing Frames manufactured after January 2003 - see note below)

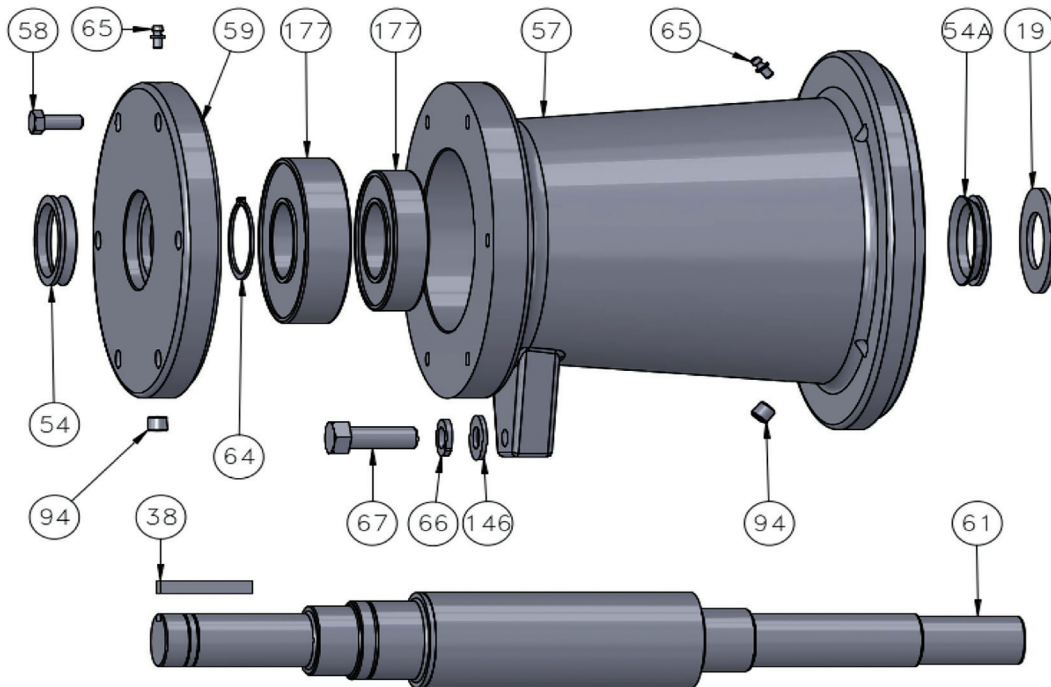


NOTE: Note difference in visual appearance of bearing frames on pages 2 and 3. New frames are a direct replacement for older ones. The part numbers for individual bearings are different from old frames to new frames. If you need help determining which frame you have, please contact tech services at Taco (401-942-8000).

ITEM NUMBER	NUMBER REQUIRED	DESCRIPTION	STANDARD SEALED BEARINGS	OPTIONAL GREASEABLE BEARINGS	REMARKS
			PART NO.	PART NO.	
-	1	FRAME ASSEMBLY (SS)	953-2222RP	953-2223RP	STAINLESS STEEL SHAFT
57	1	HOUSING	953-2203RP	953-2196RP	
61	1	SHAFT (SS)	953-2199RP	953-2199RP	STAINLESS STEEL
59	1	END CAP	953-2197RP	953-2197RP	
67	1	BOLT, FOOT SUPPORT	10-228RP	10-228RP	
66	1	LOCKWASHER, FOOT SUPPORT	14-102RP	14-102RP	
146	1	FLAT WASHER, FOOT SUPPORT	14-316RP	14-316RP	
38	1	KEY-SHAFT	13-110RP	13-110RP	
176	1	BALL BEARING, FRONT (THRUST)	953-2215RP	950-963RP	
177	1	BALL BEARING, REAR (RADIAL)	951-5599RP	951-2491RP	
19	1	DEFLECTOR	951-3040RP	951-3040RP	
64	1	RETAINING RING	15-140RP	15-140RP	
58	4	HEX HEAD BOLT, END CAP	10-207RP	10-207RP	
54	1	V RING SEAL, REAR	953-1575-3RP	953-1575-3RP	
54A	1	V RING SEAL, FRONT	953-1575-3RP	953-1575-3RP	
65	2	GREASE FITTING	N/A	15-203RP	
94	2	PIPE PLUG	N/A	16-140RP	

FI 'J' Frame Replacement Parts

(for Bearing Frames manufactured prior to January 2003 - see note below)

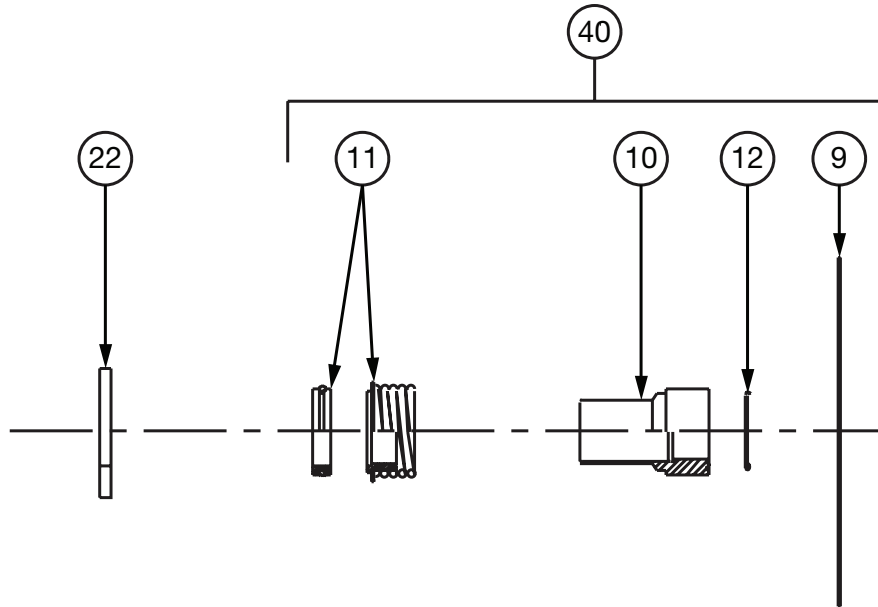


NOTE: Note difference in visual appearance of bearing frames on pages 2 and 3. New frames are a direct replacement for older ones. The part numbers for individual bearings are different from old frames to new frames. If you need help determining which frame you have, please contact tech services at Taco (401-942-8000)

ITEM NUMBER	NUMBER REQUIRED	DESCRIPTION	STANDARD SEALED BEARINGS	OPTIONAL GREASEABLE BEARINGS	REMARKS
			PART NO.	PART NO.	
-	1	FRAME ASSEMBLY (SS)	953-1572RP	953-1881RP	STAINLESS STEEL SHAFT
57	1	HOUSING	953-1565RP	953-1866RP	
61	1	SHAFT (SS)	953-1663RP	953-1663RP	STAINLESS STEEL
59	1	END CAP	953-1567RP	953-1869RP	
67	1	BOLT, FOOT SUPPORT	10-234RP	10-234RP	
66	1	LOCKWASHER, FOOT SUPPORT	14-102RP	14-102RP	
146	1	FLAT WASHER, FOOT SUPPORT	14-302RP	14-302RP	
38	1	KEY-SHAFT	13-110RP	13-110RP	
176	1	BALL BEARING, FRONT (THRUST)	953-1871RP	951-155RP	
177	1	BALL BEARING, REAR (RADIAL)	953-1876RP	862-101RP	
19	1	DEFLECTOR	951-3040RP	951-3040RP	
64	1	RETAINING RING	15-127RP	15-127RP	
58	4	HEX HEAD BOLT, END CAP	10-227RP	10-227RP	
54	1	V RING SEAL, REAR	953-1575-3RP	953-1575-3RP	
54A	1	V RING SEAL, FRONT	953-1575-4RP	953-1575-4RP	
65	2	GREASE FITTING	N/A	15-203RP	
94	2	PIPE PLUG	N/A	16-140RP	

AW-717 REV G

Seal Replacement Parts (EPT)

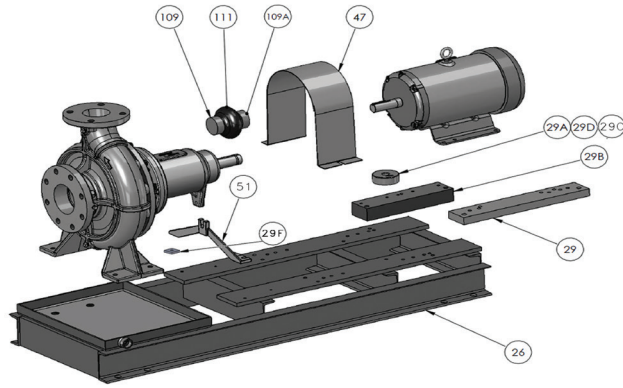


3007, 3007D	3007, 3007D
-------------	-------------

ITEM NO.	NO. REQ.	DESCRIPTION	BEARING FRAME	
			J	
			MECHANICAL DESIGN (125#)	MECHANICAL DESIGN (250#)
9	1	Gasket (Casing)	See Page 1	See Page 1
10	1	Sleeve (SS)	953-1170RP	953-1891RP
10	1	Sleeve (Brz)	953-1171RP	953-1887RP
11	1	Seal (Type B)	951-3158RP	951-5158RP
11	1	Seal (Type D)	951-3160RP	951-5159RP
11	1	Seal (Type E)	951-3162RP	951-5160RP
11	1	Seal (Type F)	951-6417RP	951-6456RP
12	1	Sleeve O-Ring	951-3042RP	951-3042RP
22	1	Deflector	951-3040RP	951-3040RP
40	1	Seal Kit (Type B) SS	953-1549-4RP	953-1549-10RP
40	1	Seal Kit (Type B) Brz	953-1549-4BRP	953-1549-10BRP
40	1	Seal Kit (Type D) SS	953-1549-5RP	953-1549-11RP
40	1	Seal Kit (Type D) Brz	953-1549-5BRP	953-1549-11BRP
40	1	Seal Kit (Type E) SS	953-1549-6RP	953-1549-12RP
40	1	Seal Kit (Type E) Brz	953-1549-6BRP	953-1549-12BRP
40	1	Seal Kit (Type F) SS	953-1549-42RP	953-1549-44RP
40	1	Seal Kit (Type F) Brz	953-1549-42BRP	953-1549-44BRP

From AW-698 Rev U

Motor Replacement Parts



FI-3007 MOTOR FRAMES (NEMA STANDARD) "T"															
ITEM NO.	QTY.	DESCRIPTION	143T	145T	182T	184T	213T	215T	254T	256T	284TS	286TS	324TS	326TS	364TS
47	1	Coupler Guard	951-3076RP	951-3076RP	951-3076RP	951-3076RP	951-3076RP	X	X	951-3079RP	951-3079RP	951-3079RP	951-3079RP	951-3079RP	951-3577RP
109	1	Coupler Hub, Pump	953-2437RP	953-2437RP	953-2437RP	953-2437RP	953-2437RP	X	X	953-2443RP	953-2443RP	953-2450RP	953-2450RP	953-2458RP	953-2458RP
109A	1	Coupler Hub, Motor	953-2433RP	953-2433RP	953-2435RP	953-2435RP	953-2437RP	X	X	953-2445RP	953-2445RP	953-2452RP	953-2454RP	953-2462RP	953-2462RP
111	1	Coupler Insert	953-2430RP	953-2430RP	953-2430RP	953-2430RP	953-2430RP	X	X	953-2438RP	953-2438RP	953-2446RP	953-2446RP	953-2455RP	953-2455RP
*	1	OSHA Coupler Guard	953-1914RP	953-2754RP	953-2754RP	953-2754RP	953-2754RP	X	X	953-2755RP	953-2755RP	953-2755RP	953-2755RP	953-2755RP	953-2755RP
26	1	Base	953-2359RP	953-2359RP	953-2359RP	953-2359RP	953-2359RP	X	X	953-2352RP	953-4293RP	953-4293RP	953-2352RP	953-2352RP	953-2043RP
29	2	Spacer, Motor	X	X	X	X	X	X	X	951-6291RP	X	X	X	X	X
29B	2	Spacer, Motor	951-5201RP	951-5201RP	X	X	X	X	X	X	953-2229RP	953-2229RP	X	X	
29A	4	Spacer, Motor	953-2228RP	953-2228RP	953-2228RP	953-2228RP	X	X	X	953-2228RP	X	X	X	X	X
51	1	Foot/Support	953-1639RP	953-1639RP	953-1639RP	953-1639RP	953-1639RP	X	X	953-1642RP	953-1642RP	953-1642RP	953-1642RP	953-1642RP	953-1643RP
FI-3007D MOTOR FRAMES (NEMA STANDARD) "T" 60 & 50 Hz															
ITEM NO.	QTY.	DESCRIPTION	145T	182T	184T	213T	215T	254T	256T	284TS	286TS	324TS	326TS	364TS	365TS
47	1	Coupler Guard	951-3076RP	951-3076RP	951-3076RP	951-3077RP	951-3077RP	951-3077RP	951-3077RP	951-3577RP	951-3577RP	951-3577RP	951-3577RP	951-3577RP	951-3577RP
109	1	Coupler Hub, Pump	953-2437RP	953-2437RP	953-2437RP	953-2437RP	953-2437RP	953-2443RP	953-2450RP	953-2450RP	953-2450RP	953-2450RP	953-2458RP	953-2458RP	953-2458RP
109A	1	Coupler Hub, Motor	953-2433RP	953-2435RP	953-2435RP	953-2437RP	953-2437RP	953-2445RP	953-2452RP	953-2452RP	953-2452RP	953-2454RP	953-2462RP	953-2462RP	953-2462RP
111	1	Coupler Insert	953-2430RP	953-2430RP	953-2430RP	953-2430RP	953-2430RP	953-2438RP	953-2446RP	953-2446RP	953-2446RP	953-2446RP	953-2455RP	953-2455RP	953-2455RP
*	1	OSHA Coupler Guard	953-1914RP	953-2754RP	953-2754RP	953-2754RP	953-2754RP	953-2754RP	953-2754RP	953-2755RP	953-2755RP	953-2755RP	953-2755RP	953-2755RP	953-2755RP
26	1	Base	953-6371RP	953-6371RP	953-6371RP	953-6373RP	953-6373RP	953-6373RP	953-6373RP	953-6374RP	953-6374RP	953-6374RP	953-6374RP	953-6374RP	953-6374RP
29	2	Spacer, Motor	951-5202RP	X	X	X	X	X	X	953-4305RP	953-4305RP	X	X	X	X
29A	4	Spacer, Motor	X	953-2228RP	953-2228RP	953-2229RP	953-2229RP	X	X	X	X	953-2229RP	953-2229RP	X	X
29B	2	Spacer, Motor	951-5201RP	X	X	X	X	X	X	X	X	X	X	X	X
51	1	Foot/Support	953-1639RP	953-1639RP	953-1639RP	953-1640RP	953-1640RP	953-1640RP	953-1640RP	953-1643RP	953-1643RP	953-1643RP	953-1643RP	953-1643RP	953-1643RP

AW-725 Rev F

SEE MOTOR PARTS SHEET FOR ALL HARDWARE COMPONENTS