

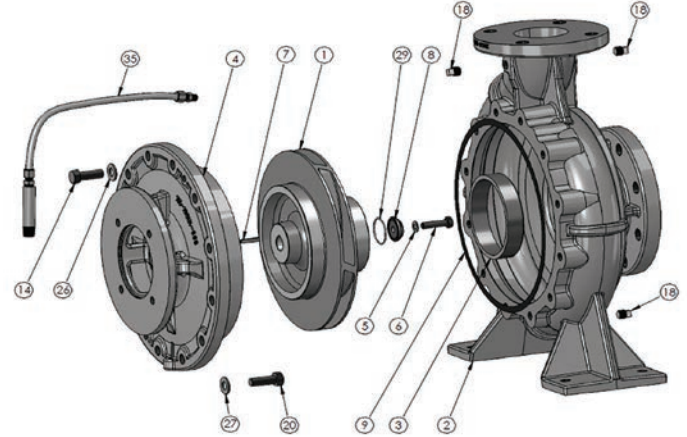
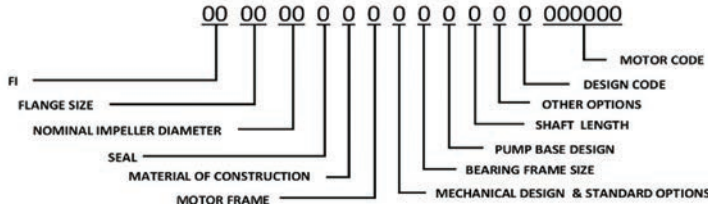
Replacement Parts List

FI 2509, FI 2509C & FI 2509D

SUPERSEDES: September 21, 2016

EFFECTIVE: January 31, 2019

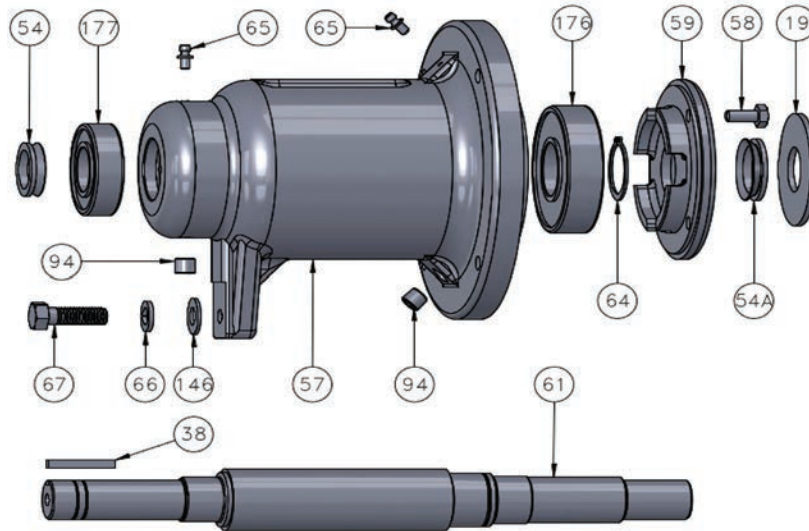
WHEN SELECTING AND ORDERING PARTS, ALWAYS REFER TO SERIAL NUMBER ON NAMEPLATE



ITEM NUMBER	NUMBER REQUIRED	DESCRIPTION	FI 2509	FI 2509C	FI 2509C	FI 2509D	FI 2509D
			BEARING FRAME J	BEARING FRAME H	BEARING FRAME J	BEARING FRAME H	BEARING FRAME J
1	1	Impeller (Bronze)(1160, 1450 & 1760 RPM)	953-1069RP**	953-4314RP**	953-4313RP**	953-6306RP	N/A
1	1	Impeller (Stainless Steel)(1160, 1450 & 1760 RPM)	N/A	N/A	N/A	953-6306SRP	N/A
1	1	Impeller (BRZ) (With B/H, 2900 & 3600 RPM)	N/A	N/A	N/A	N/A	953-6307RP
1	1	Impeller (SS) (With B/H, 2900 & 3600 RPM)	N/A	N/A	N/A	N/A	953-6307SRP
2	1	Casing (125#) (No W/R)	953-1074RP	953-4201RP	953-4201RP	953-6302RP	953-6302RP
2	1	Casing (250#) (No W/R)	953-1247RP	953-4202RP	953-4202RP	953-6303RP	953-6303RP
2	1	Casing (125#) (Bronze W/R)	953-2304RP	953-4203RP	953-4203RP	953-6304RP	953-6304RP
2	1	Casing (250#) (Bronze W/R)	953-2305RP	953-4204RP	953-4204RP	953-6305RP	953-6305RP
3	1 (W/R)	Wear Ring (Bronze)	953-1076RP	953-1076RP	953-1076RP	953-6308LRP	953-6308LRP
4	1	Cover, 125#	953-900RP	953-4347RP	953-4220RP	953-6050-25RP	953-6039-25RP
		Cover, 250#	953-900RP	953-4377RP	953-4379RP	953-6050-25RP	953-6040-25RP
5	1	Dowdy Washer	951-2579RP	951-2578RP	951-2579RP	951-2578RP	951-2579RP
6	1	Impeller Bolt (Stainless Steel)	1/2NCX1-1/2LG	3/8NCX2LG	1/2NCX1-1/2LG	3/8NCX1 1/4LG	1/2NCX1-1/2LG
7	1	Impeller Key (Stainless Steel)	1/4X1/4X2LG	3/16X3/16X1-1/2LG	1/4X1/4X2LG	3/16X3/16X1-1/8LG	1/4X1/4X2LG
8	1	Impeller Washer	953-829RP	953-828RP	953-829RP	953-828RP	953-829RP
9	1	Gasket (Casing)	953-1009RP	953-4383RP	953-4383RP	953-4383RP	953-4383RP
14	12	Casing Bolt (Steel)	3/8NCX1LG	3/8NCX1-1/4LG	3/8NCX1-1/4LG	3/8NCX1-1/4LG	3/8NCX1-1/4LG
18	4	Pipe Plug (Steel)	1/4NPT	1/4NPT	1/4NPT	1/4NPT	1/4NPT
26	12	Casing Washer (Zinc)	3/8	3/8	3/8	3/8	3/8
29	1	Impeller Gasket	953-759RP	953-830RP	953-759RP	953-830RP	953-759RP
20	4	Bearing Frame Bolt	1/2NCX1-1/4LG	3/8NCX1LG	1/2NCX1-1/4LG	3/8NCX1LG	1/2NCX1-1/4LG
27	4	Bearing Frame Washer	1/2	3/8	1/2	3/8	1/2
35	1	Tube Kit	951-1547RP	951-1547RP	951-1547RP	951-1547RP	951-1547RP

** 2509 IMPELLER IS AVAILABLE FOR ALL SPEEDS

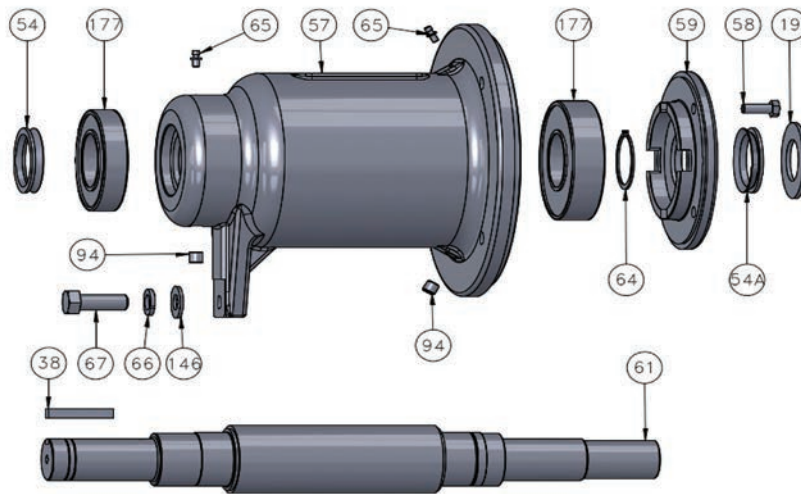
FI Series 'H' Frame Replacement Parts



ITEM NUMBER	NUMBER REQUIRED	DESCRIPTION	STANDARD SEALED BEARINGS	OPTIONAL GREASE-ABLE BEARINGS	REMARKS
			PART NO.	PART NO.	
-	1	FRAME ASSEMBLY (SS)	953-2224RP	953-2225RP	STAINLESS STEEL SHAFT
57	1	HOUSING	953-2205RP	953-2200RP	
61	1	SHAFT (SS)	953-2204RP	953-2204RP	STAINLESS STEEL
59	1	END CAP	953-2201RP	953-2201RP	
67	1	BOLT, FOOT SUPPORT	10-215RP	10-215RP	
66	1	LOCKWASHER, FOOT SUPPORT	14-101RP	14-101RP	
146	1	FLAT WASHER, FOOT SUPPORT	14-316RP	14-316RP	
38	1	KEY-SHAFT	13-103RP	13-103RP	
176	1	BALL BEARING, FRONT (THRUST)	820-1039RP	820-067RP	
177	1	BALL BEARING, REAR (RADIAL)	953-2216RP	953-2482RP	
19	1	DEFLECTOR	900-043RP	900-043RP	
64	1	RETAINING RING	15-125RP	15-125RP	
58	4	HEX HEAD BOLT, END CAP	10-244RP	10-244RP	
54	1	V RING SEAL, REAR	953-1575-5RP	953-1575-5RP	
54A	1	V RING SEAL, FRONT	953-1575-2RP	953-1575-2RP	
65	2	GREASE FITTING	N/A	15-203RP	
94	2	PIPE PLUG	N/A	16-140RP	

FI Series 'J' Frame Replacement Parts

(for Bearing Frames manufactured after January 2003 - see note below)



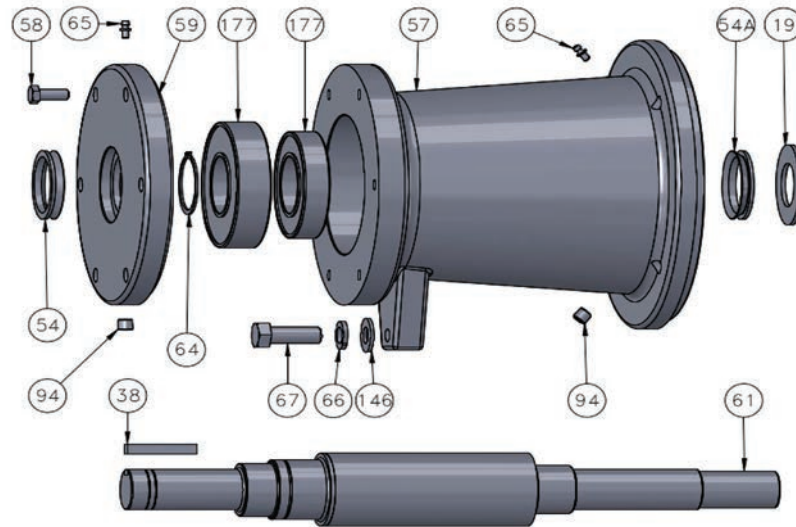
NOTE: Note difference in visual appearance of bearing frames on pages 3 and 4. New frames are a direct replacement for older ones. The part numbers for individual bearings are different from old frames to new frames. If you need help determining which frame you have, please contact tech services at Taco (401-942-8000).

ITEM NUMBER	NUMBER REQUIRED	DESCRIPTION	STANDARD SEALED BEARINGS	OPTIONAL GREASE-ABLE BEARINGS	REMARKS
			PART NO.	PART NO.	
-	1	FRAME ASSEMBLY (SS)	953-2222RP	953-2223RP	STAINLESS STEEL SHAFT
57	1	HOUSING	953-2203RP	953-2196RP	
61	1	SHAFT (SS)	953-2199RP	953-2199RP	STAINLESS STEEL
59	1	END CAP	953-2197RP	953-2197RP	
67	1	BOLT, FOOT SUPPORT	10-228RP	10-228RP	
66	1	LOCKWASHER, FOOT SUPPORT	14-102RP	14-102RP	
146	1	FLAT WASHER, FOOT SUPPORT	14-316RP	14-316RP	
38	1	KEY-SHAFT	13-110RP	13-110RP	
176	1	BALL BEARING, FRONT (THRUST)	953-2215RP	950-963RP	
177	1	BALL BEARING, REAR (RADIAL)	951-5599RP	951-2491RP	
19	1	DEFLECTOR	951-3040RP	951-3040RP	
64	1	RETAINING RING	15-140RP	15-140RP	
58	4	HEX HEAD BOLT, END CAP	10-207RP	10-207RP	
54	1	V RING SEAL, REAR	953-1575-3RP	953-1575-3RP	
54A	1	V RING SEAL, FRONT	953-1575-3RP	953-1575-3RP	
65	2	GREASE FITTING	N/A	15-203RP	
94	2	PIPE PLUG	N/A	16-140RP	

AW-717 Rev H

FI Series 'J' Frame Replacement Parts

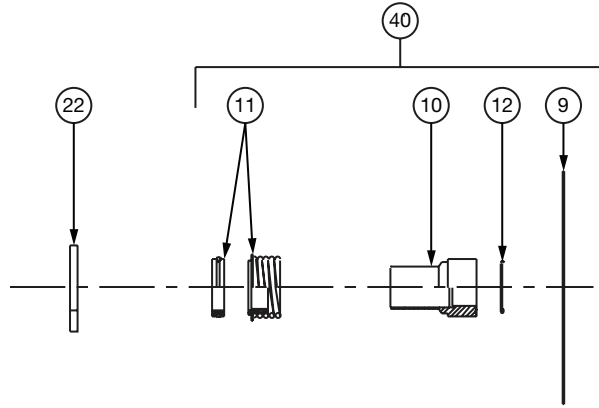
(for Bearing Frames manufactured prior to January 2003 - see note below)



NOTE: Note difference in visual appearance of bearing frames on pages 3 and 4. New frames are a direct replacement for older ones. The part numbers for individual bearings are different from old frames to new frames. If you need help determining which frame you have, please contact tech services at Taco (401-942-8000).

ITEM NUMBER	NUMBER REQUIRED	DESCRIPTION	STANDARD SEALED BEARINGS	OPTIONAL GREASE-ABLE BEARINGS	REMARKS
			PART NO.	PART NO.	
-	1	FRAME ASSEMBLY (SS)	953-1572RP	953-1881RP	STAINLESS STEEL SHAFT
57	1	HOUSING	953-1565RP	953-1866RP	
61	1	SHAFT (SS)	953-1663RP	953-1663RP	STAINLESS STEEL
59	1	END CAP	953-1567RP	953-1869RP	
67	1	BOLT, FOOT SUPPORT	10-234RP	10-234RP	
66	1	LOCKWASHER, FOOT SUPPORT	14-102RP	14-102RP	
146	1	FLAT WASHER, FOOT SUPPORT	14-302RP	14-302RP	
38	1	KEY-SHAFT	13-110RP	13-110RP	
176	1	BALL BEARING, FRONT (THRUST)	953-1871RP	951-155RP	
177	1	BALL BEARING, REAR (RADIAL)	953-1876RP	862-101RP	
19	1	DEFLECTOR	951-3040RP	951-3040RP	
64	1	RETAINING RING	15-127RP	15-127RP	
58	4	HEX HEAD BOLT, END CAP	10-227RP	10-227RP	
54	1	V RING SEAL, REAR	953-1575-3RP	953-1575-3RP	
54A	1	V RING SEAL, FRONT	953-1575-4RP	953-1575-4RP	
65	2	GREASE FITTING	N/A	15-203RP	
94	2	PIPE PLUG	N/A	16-140RP	

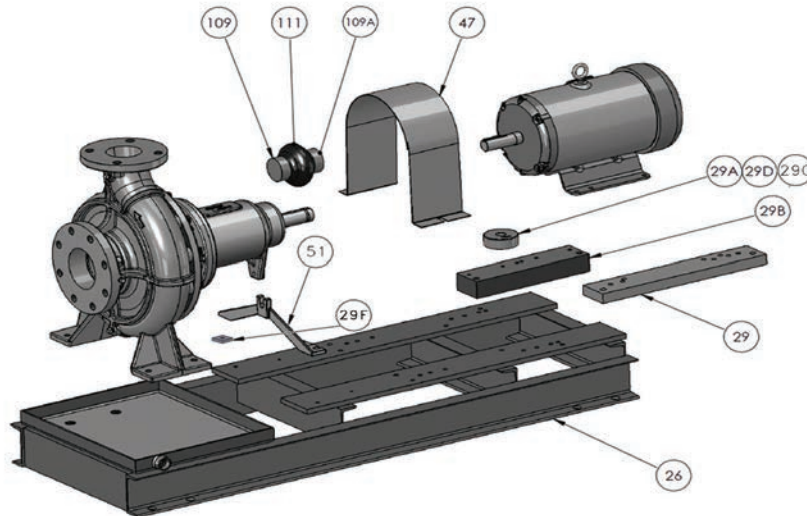
FI Series Seal Replacement Parts (EPT)



ITEM NO.	NO. REQ.	DESCRIPTION	2509C, 2509D	2509, 2509C, 2509D	2509C, 2509D	2509, 2509C, 2509D
			BEARING FRAME			
			H	J	H	J
			MECHANICAL DESIGN (125#)		MECHANICAL DESIGN (250#)	
9	1	Gasket (Casing)	See Page 1	See Page 1	See Page 1	See Page 1
10	1	Sleeve (SS)	953-1118RP	953-1170RP	953-1892RP	953-1891RP
10	1	Sleeve (Brz)	953-1119RP	953-1171RP	953-1861RP	953-1887RP
11	1	Seal (Type B)	951-3157RP	951-3158RP	951-3766RP	951-5158RP
11	1	Seal (Type D)	951-3159RP	951-3160RP	951-3781RP	951-5159RP
11	1	Seal (Type E)	951-3161RP	951-3162RP	951-3782RP	951-5160RP
11	1	Seal (Type F)	951-6415RP	951-6417RP	951-6461RP	951-6456RP
12	1	Sleeve O-Ring	592-525RP	951-3042RP	592-525RP	951-3042RP
22	1	Deflector	900-043RP	951-3040RP	900-043RP	951-3040RP
40	1	Seal Kit (Type B) SS	953-1549-1RP	953-1549-4RP	953-1549-7RP	953-1549-10RP
40	1	Seal Kit (Type B) Brz	953-1549-1BRP	953-1549-4BRP	953-1549-7BRP	953-1549-10BRP
40	1	Seal Kit (Type D) SS	953-1549-2RP	953-1549-5RP	953-1549-8RP	953-1549-11RP
40	1	Seal Kit (Type D) Brz	953-1549-2BRP	953-1549-5BRP	953-1549-8BRP	953-1549-11BRP
40	1	Seal Kit (Type E) SS	953-1549-3RP	953-1549-6RP	953-1549-9RP	953-1549-12RP
40	1	Seal Kit (Type E) Brz	953-1549-3BRP	953-1549-6BRP	953-1549-9BRP	953-1549-12BRP
40	1	Seal Kit (Type F) SS	953-1549-41RP	953-1549-42RP	953-1549-43RP	953-1549-44RP
40	1	Seal Kit (Type F) Brz	953-1549-41BRP	953-1549-42BRP	953-1549-43BRP	953-1549-44BRP

From AW-698 Rev U

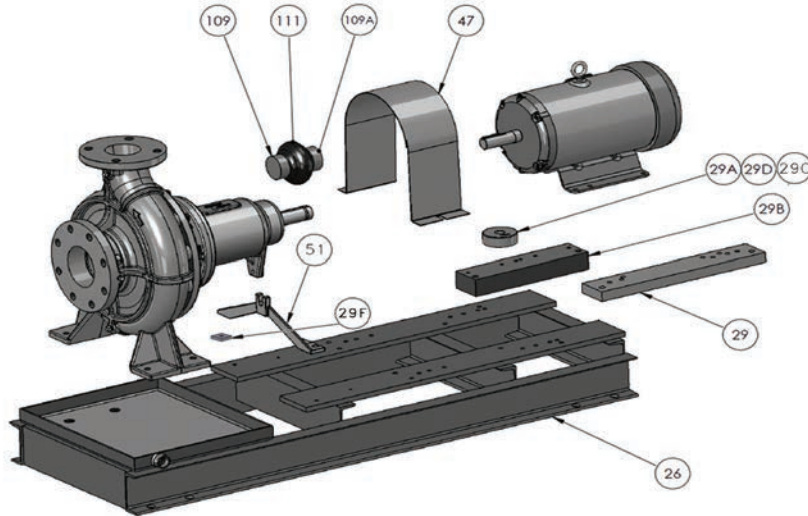
Motor Replacement Parts - 2509 & 2509C



FI 2509 MOTOR FRAMES (NEMA STANDARD) "T"															
ITEM NO.	NO. REQ.	DESCRIPTION	143T	145T	182T	184T	213T	215T	254T	256T	284TS	286TS	324TS	326TS	364TS
		BEARING FRAME	J	J	J	J	J	J	J	J	J	J	J	J	J
47	1	Coupler Guard	951-3076RP	951-3076RP	951-3076RP	951-3076RP	951-3076RP	951-3076RP	951-3079RP	951-3079RP	951-3079RP	951-3079RP	951-3079RP	951-3079RP	951-3577RP
109	1	Pump Coupler Half	953-2437RP	953-2437RP	953-2437RP	953-2437RP	953-2437RP	953-2437RP	953-2443RP	953-2443RP	953-2443RP	953-2450RP	953-2450RP	953-2458RP	953-2458RP
109A	1	Motor Coupler Half	953-2433RP	953-2433RP	953-2435RP	953-2435RP	953-2437RP	953-2437RP	953-2445RP	953-2445RP	953-2445RP	953-2452RP	953-2454RP	953-2462RP	953-2462RP
111	1	Coupler Insert	953-2430RP	953-2430RP	953-2430RP	953-2430RP	953-2430RP	953-2430RP	953-2438RP	953-2438RP	953-2438RP	953-2446RP	953-2446RP	953-2455RP	953-2455RP
*	1	OSHA Coupler Guard	953-1914RP	953-1914RP	953-1914RP	953-1914RP	953-1914RP	953-1914RP	953-1915RP	953-1915RP	953-1915RP	953-1915RP	953-1915RP	953-1915RP	953-1915RP
26	1	Base	953-2361RP	953-2361RP	953-2361RP	953-2361RP	953-2361RP	953-2361RP	953-2353RP	953-2353RP	953-2353RP	953-2353RP	953-2353RP	953-2353RP	953-2044RP
29	2	Spacer (1st) Motor	951-5202RP	951-5202RP	N/A	N/A	N/A	N/A	951-5206RP	951-5206RP	N/A	N/A	N/A	N/A	N/A
29B	2	Spacer (2nd) Motor	951-5201RP	951-5201RP	N/A	N/A	N/A	N/A	N/A	N/A	N/A	N/A	N/A	N/A	N/A
29A	4	Spacer Rd (1st) Motor	N/A	N/A	953-2228RP	953-2228RP	N/A	N/A	N/A	N/A	953-2229RP	953-2229RP	N/A	N/A	N/A
29D	4	Spacer Rd (2nd) Motor	N/A	N/A	N/A	N/A	N/A	N/A	953-2228RP	953-2228RP	N/A	N/A	N/A	N/A	N/A

FI 2509C MOTOR FRAMES (NEMA STANDARD) "T"																
ITEM NO.	NO. REQ.	DESCRIPTION	143T	145T	182T	184T	213T	215T (1760)	215T (2900)	254T	256T	284TS	286TS	324TS	326TS	364TS
		BEARING FRAME	H	H	H	H	H	H	J	J	J	J	J	J	J	J
47	1	Coupler Guard	951-3696RP	951-3696RP	951-3696RP	951-3696RP	951-3077RP	951-3077RP	951-3076RP	951-3079RP	951-3079RP	951-3079RP	951-3079RP	951-3079RP	951-3079RP	951-3577RP
109	1	Pump Coupler Half	953-2427RP	953-2427RP	953-2427RP	953-2433RP	953-2433RP	953-2439RP	953-2437RP	953-2443RP	953-2443RP	953-2443RP	953-2450RP	953-2450RP	953-2458RP	953-2458RP
109A	1	Motor Coupler Half	953-2427RP	953-2427RP	953-2429RP	953-2435RP	953-2437RP	953-2443RP	953-2437RP	953-2445RP	953-2445RP	953-2445RP	953-2452RP	953-2454RP	953-2462RP	953-2462RP
111	1	Coupler Insert	953-2424RP	953-2424RP	953-2424RP	953-2430RP	953-2430RP	953-2438RP	953-2430RP	953-2438RP	953-2438RP	953-2438RP	953-2446RP	953-2446RP	953-2455RP	953-2455RP
*	1	OSHA Coupler Guard	953-1914RP	953-1914RP	953-1914RP	953-1914RP	953-1914RP	953-1914RP	953-1914RP	953-2755RP	953-2755RP	953-2755RP	953-2755RP	953-1915RP	953-1915RP	953-1915RP
26	1	Base	953-4272RP	953-4272RP	953-4272RP	953-4272RP	953-4344RP	953-4344RP	953-4342RP	953-3428RP	953-3428RP	953-4294RP	953-4294RP	953-3428RP	953-3428RP	953-4352RP
29	2	Spacer (1st) Motor	951-5201RP	951-5201RP	N/A	N/A	N/A	N/A	N/A	951-6291RP	951-6291RP	N/A	N/A	N/A	N/A	N/A
29B	2	Spacer (2nd) Motor	N/A	N/A	N/A	N/A	N/A	N/A	N/A	N/A	N/A	953-2229RP	953-2229RP	N/A	N/A	N/A
29A	4	Spacer Rd (1st) Motor	N/A	N/A	N/A	N/A	953-2229RP	953-2229RP	N/A	953-2228RP	953-2228RP	N/A	N/A	N/A	N/A	N/A
29D	4	Spacer Rd (2nd) Motor	N/A	N/A	N/A	N/A	N/A	N/A	N/A	N/A	N/A	N/A	N/A	N/A	N/A	N/A

Motor Replacement Parts Cont. - 2509D



FI 2509D MOTOR FRAMES (NEMA STANDARD) "T"

ITEM NO.	NO. REQ.	DESCRIPTION	143T	145T	182T	184T	213T	215T (1760)	215T (2900)	254T	256T	284TS	286TS	324TS	326TS	364TS	365TS
		BEARING FRAME	H	H	H	H	H	H	J	J	J	J	J	J	J	J	J
47	1	Coupler Guard	951-3696RP	951-3696RP	951-3696RP	951-3696RP	951-3077RP	951-3077RP	951-3076RP	951-3079RP	951-3079RP	951-3079RP	951-3079RP	951-3079RP	951-3079RP	951-3577RP	951-3577RP
109	1	Pump Coupler Half	953-2427RP	953-2427RP	953-2427RP	953-2433RP	953-2433RP	953-2433RP	953-2437RP	953-2443RP	953-2443RP	953-2443RP	953-2450RP	953-2450RP	953-2458RP	953-2458RP	953-2467RP
109A	1	Motor Coupler Half	953-2427RP	953-2427RP	953-2429RP	953-2435RP	953-2437RP	953-2437RP	953-2437RP	953-2445RP	953-2445RP	953-2445RP	953-2452RP	953-2454RP	953-2462RP	953-2462RP	953-2471RP
111	1	Coupler Insert	953-2424RP	953-2424RP	953-2424RP	953-2430RP	953-2430RP	953-2430RP	953-2430RP	953-2438RP	953-2438RP	953-2438RP	953-2446RP	953-2446RP	953-2455RP	953-2455RP	953-2464RP
*	1	OSHA Coupler Guard	953-1914RP	953-1914RP	953-1914RP	953-1914RP	953-1914RP	953-2754RP	953-2754RP	953-2755RP	953-2755RP	953-2755RP	953-2755RP	953-2755RP	953-2755RP	953-2755RP	953-2755RP
26	1	Base	953-4654RP	953-4654RP	953-4654RP	953-4654RP	953-4653RP	953-4653RP	953-4342RP	953-3428RP	953-3428RP	953-4294RP	953-4294RP	953-3428RP	953-3428RP	953-4352RP	953-4352RP
29	2	Spacer (1st) Motor	951-5201RP	951-5201RP	N/A	N/A	N/A	N/A	N/A	N/A	N/A	N/A	N/A	N/A	N/A	N/A	N/A
29B	2	Spacer (2nd) Motor	N/A	N/A	N/A	N/A	N/A	N/A	N/A	951-5720RP	951-5720RP	N/A	N/A	N/A	N/A	N/A	N/A
29A	4	Spacer Rd (1st) Motor	N/A	N/A	N/A	N/A	953-2229RP	953-2229RP	N/A	953-2228RP	953-2228RP	953-2229RP	953-2229RP	N/A	N/A	N/A	N/A
29D	4	Spacer Rd (2nd) Motor	N/A	N/A	N/A	N/A	N/A	N/A	N/A	N/A	N/A	N/A	N/A	N/A	N/A	N/A	N/A
51	1	Foot Support	953-1635RP	953-1635RP	953-1635RP	953-1635RP	953-1637RP	953-1637RP	953-1639RP	953-1642RP	953-1642RP	953-1642RP	953-1642RP	953-1642RP	953-1642RP	953-1643RP	953-1643RP

AW-1112 Rev B

