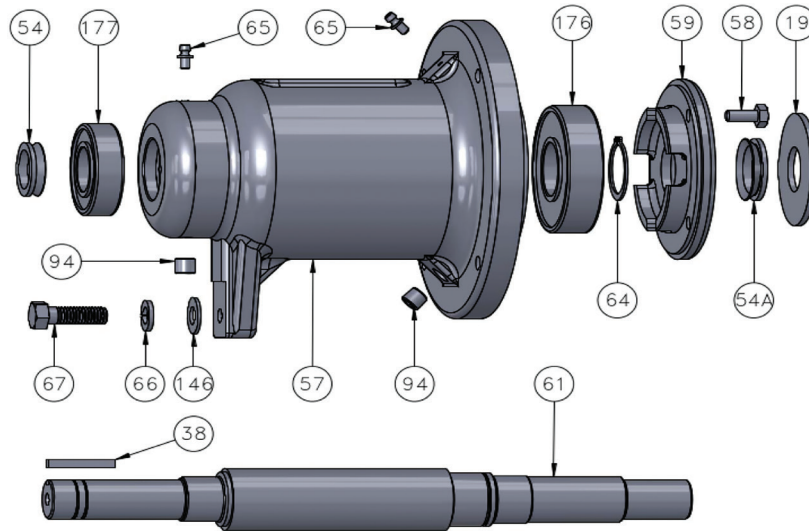


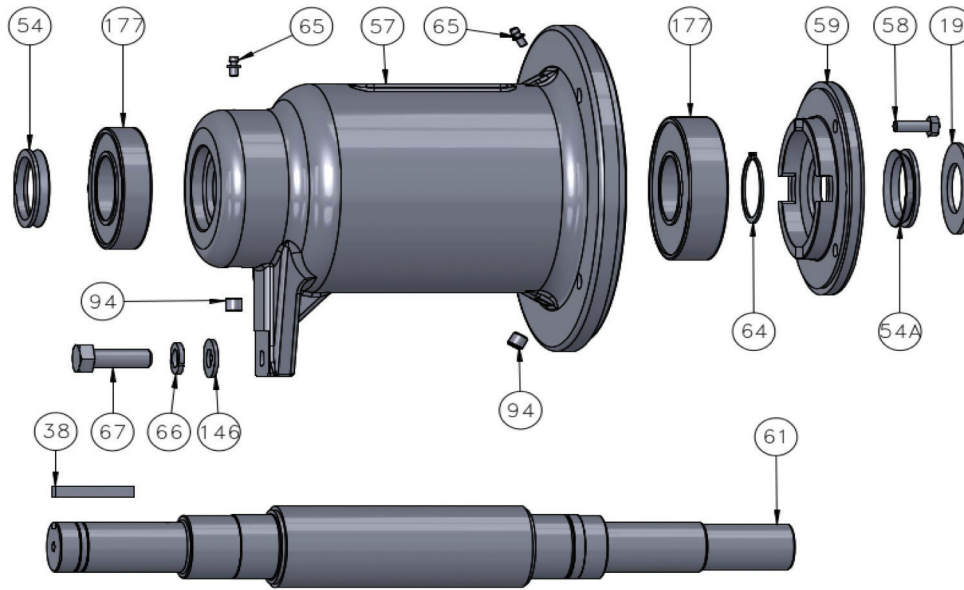
FI Series 'H' Frame Replacement Parts



ITEM NUMBER	NUMBER REQUIRED	DESCRIPTION	STANDARD SEALED BEARINGS	OPTIONAL GREASE-ABLE BEARINGS	REMARKS
			PART NO.	PART NO.	
-	1	FRAME ASSEMBLY (CS)	953-2218RP	953-2219RP	CARBON STEEL SHAFT
-	1	FRAME ASSEMBLY (CS)	953-2224RP	953-2225RP	STAINLESS STEEL SHAFT
57	1	HOUSING	953-2205RP	953-2200RP	
61	1	SHAFT (CS)	953-2202RP	953-2202RP	CARBON STEEL
61	1	SHAFT (CS)	953-2204RP	953-2204RP	STAINLESS STEEL
59	1	END CAP	953-2201RP	953-2201RP	
67	1	BOLT, FOOT SUPPORT	10-215RP	10-215RP	
66	1	LOCKWASHER, FOOT SUPPORT	14-101RP	14-101RP	
146	1	FLAT WASHER, FOOT SUPPORT	14-316RP	14-316RP	
38	1	KEY-SHAFT	13-103RP	13-103RP	
176	1	BALL BEARING, FRONT (THRUST)	820-1039RP	820-067RP	
177	1	BALL BEARING, REAR (RADIAL)	953-2216RP	953-2482RP	
19	1	DEFLECTOR	900-043RP	900-043RP	
64	1	RETAINING RING	15-125RP	15-125RP	
58	4	HEX HEAD BOLT, END CAP	10-244RP	10-244RP	
54	1	V RING SEAL, REAR	953-1575-5RP	953-1575-5RP	
54A	1	V RING SEAL, FRONT	953-1575-2RP	953-1575-2RP	
65	2	GREASE FITTING	N/A	15-203RP	
94	2	PIPE PLUG	N/A	16-140RP	

FI 'J' FRAME REPLACEMENT PARTS

(for Bearing Frames manufactured after January 2003 - see note below)

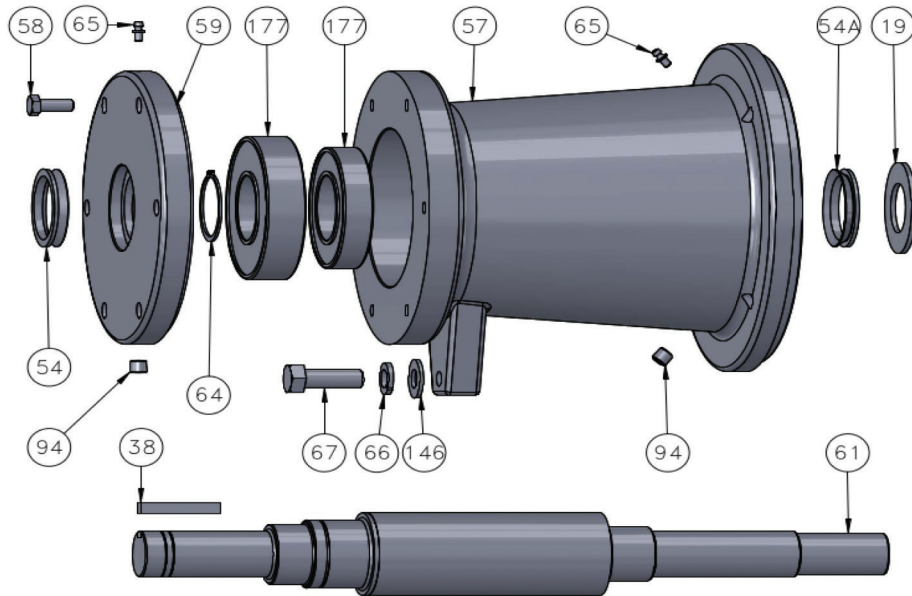


NOTE: Note difference in visual appearance of bearing frames on pages 3 and 4. New frames are a direct replacement for older ones. The part numbers for individual bearings are different from old frames. If you need help determining which frame you have, please contact tech services at Taco (401-942-8000).

ITEM NUMBER	NUMBER REQUIRED	DESCRIPTION	STANDARD SEALED BEARINGS	OPTIONAL GREASE-ABLE BEARINGS	REMARKS
			PART NO.	PART NO.	
-	1	FRAME ASSEMBLY (CS)	953-2214RP	953-2217RP	CARBON STEEL SHAFT
-	1	FRAME ASSEMBLY (CS)	953-2222RP	953-2223RP	STAINLESS STEEL SHAFT
57	1	HOUSING	953-2203RP	953-2196RP	
61	1	SHAFT (CS)	953-2198RP	953-2198RP	CARBON STEEL
61	1	SHAFT (CS)	953-2199RP	953-2199RP	STAINLESS STEEL
59	1	END CAP	953-2197RP	953-2197RP	
67	1	BOLT, FOOT SUPPORT	10-228RP	10-228RP	
66	1	LOCKWASHER, FOOT SUPPORT	14-102RP	14-102RP	
146	1	FLAT WASHER, FOOT SUPPORT	14-316RP	14-316RP	
38	1	KEY-SHAFT	13-110RP	13-110RP	
176	1	BALL BEARING, FRONT (THRUST)	953-2215RP	950-963RP	
177	1	BALL BEARING, REAR (RADIAL)	951-5599RP	951-2491RP	
19	1	DEFLECTOR	951-3040RP	951-3040RP	
64	1	RETAINING RING	15-140RP	15-140RP	
58	4	HEX HEAD BOLT, END CAP	10-207RP	10-207RP	
54	1	V RING SEAL, REAR	953-1575-3RP	953-1575-3RP	
54A	1	V RING SEAL, FRONT	953-1575-3RP	953-1575-3RP	
65	2	GREASE FITTING	N/A	15-203RP	
94	2	PIPE PLUG	N/A	16-140RP	

FI 'J' FRAME REPLACEMENT PARTS

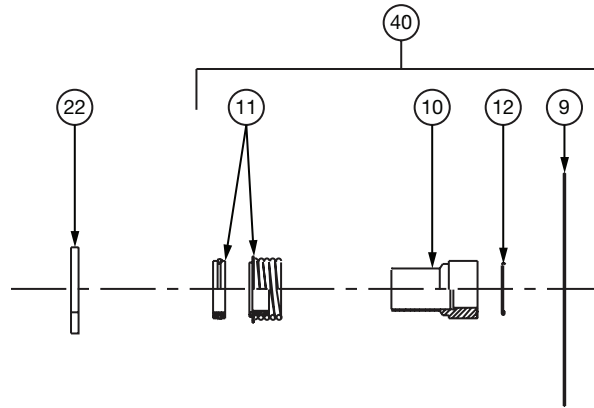
(for Bearing Frames manufactured prior to February 2003 - see note below)



NOTE: Note difference in visual appearance of bearing frames on pages 3 and 4. New frames are a direct replacement for older ones. The part numbers for individual bearings are different from old frames. If you need help determining which frame you have, please contact tech services at Taco (401-942-8000).

ITEM NUMBER	NUMBER REQUIRED	DESCRIPTION	STANDARD SEALED BEARINGS	OPTIONAL GREASE-ABLE BEARINGS	REMARKS
			PART NO.	PART NO.	
-	1	FRAME ASSEMBLY (CS)	953-1571RP	953-1880RP	CARBON STEEL SHAFT
-	1	FRAME ASSEMBLY (CS)	953-1572RP	953-1881RP	STAINLESS STEEL SHAFT
57	1	HOUSING	953-1565RP	953-1866RP	
61	1	SHAFT (CS)	953-1658RP	953-1658RP	CARBON STEEL
61	1	SHAFT (CS)	953-1663RP	953-1663RP	STAINLESS STEEL
59	1	END CAP	953-1567RP	953-1869RP	
67	1	BOLT, FOOT SUPPORT	10-234RP	10-234RP	
66	1	LOCKWASHER, FOOT SUPPORT	14-102RP	14-102RP	
146	1	FLAT WASHER, FOOT SUPPORT	14-302RP	14-302RP	
38	1	KEY-SHAFT	13-110RP	13-110RP	
176	1	BALL BEARING, FRONT (THRUST)	953-1871RP	951-155RP	
177	1	BALL BEARING, REAR (RADIAL)	953-1876RP	862-101RP	
19	1	DEFLECTOR	951-3040RP	951-3040RP	
64	1	RETAINING RING	15-127RP	15-127RP	
58	4	HEX HEAD BOLT, END CAP	10-227RP	10-227RP	
54	1	V RING SEAL, REAR	953-1575-3RP	953-1575-3RP	
54A	1	V RING SEAL, FRONT	953-1575-4RP	953-1575-4RP	
65	2	GREASE FITTING		15-203RP	
94	2	PIPE PLUG		16-140RP	

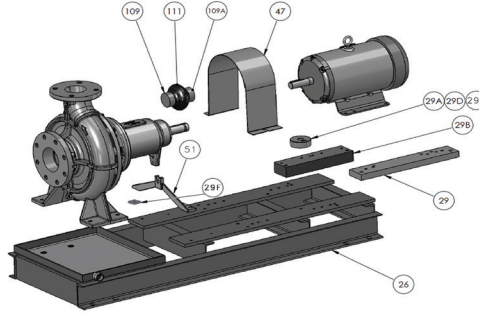
SEAL REPLACEMENT PARTS



ITEM NO.	NO. REQ.	DESCRIPTION	1509C	1509, 1509C, 1509D	1509C	1509, 1509C, 1509D
			BEARING FRAME			
			H	J	H	J
			MECHANICAL DESIGN (125#)		MECHANICAL DESIGN (250#)	
9	1	Gasket (Casing)	See Page 1	See Page 1	See Page 1	See Page 1
10	1	Sleeve (SS)	953-1118RP	953-1170RP	953-1892RP	953-1891RP
10	1	Sleeve (Brz)	953-1119RP	953-1171RP	953-1861RP	953-1887RP
11	1	Seal (Type B)	951-3157RP	951-3158RP	951-3766RP	951-5158RP
11	1	Seal (Type D)	951-3159RP	951-3160RP	951-3781RP	951-5159RP
11	1	Seal (Type E)	951-3161RP	951-3162RP	951-3782RP	951-5160RP
11	1	Seal (Type F)	951-6415RP	951-6417RP	951-6461RP	951-6456RP
12	1	Sleeve O-Ring	592-525RP	951-3042RP	592-525RP	951-3042RP
22	1	Deflector	900-043RP	951-3040RP	900-043RP	951-3040RP
40	1	Seal Kit (Type B) SS	953-1549-1RP	953-1549-4RP	953-1549-7RP	953-1549-10RP
40	1	Seal Kit (Type B) Brz	953-1549-1BRP	953-1549-4BRP	953-1549-7BRP	953-1549-10BRP
40	1	Seal Kit (Type D) SS	953-1549-2RP	953-1549-5RP	953-1549-8RP	953-1549-11RP
40	1	Seal Kit (Type D) Brz	953-1549-2BRP	953-1549-5BRP	953-1549-8BRP	953-1549-11BRP
40	1	Seal Kit (Type E) SS	953-1549-3RP	953-1549-6RP	953-1549-9RP	953-1549-12RP
40	1	Seal Kit (Type E) Brz	953-1549-3BRP	953-1549-6BRP	953-1549-9BRP	953-1549-12BRP
40	1	Seal Kit (Type F) SS	953-1549-41RP	953-1549-42RP	953-1549-43RP	953-1549-44RP
40	1	Seal Kit (Type F) Brz	953-1549-41BRP	953-1549-42BRP	953-1549-43BRP	953-1549-44BRP

FROM AW-698 REV T

Motor Replacement Parts



FI 1509 MOTOR FRAMES (NEMA STANDARD) "T"

ITEM NO.	NO. REQ.	DESCRIPTION	56	143T	145T	182T	184T	213T	215T	254T	256T	284TS	286TS	324T
47	1	Coupler Guard	951-3076RP	951-3076RP	951-3076RP	951-3076RP	951-3076RP	951-3076RP	-	951-3079RP	951-3079RP	951-3079RP	951-3079RP	951-3079RP
109	1	Pump Coupler Half	953-2437RP	953-2437RP	953-2437RP	953-2437RP	953-2437RP	953-2437RP	-	953-2443RP	953-2443RP	953-2443RP	953-2450RP	953-2450RP
109A	1	Motor Coupler Half	953-2431RP	953-2433RP	953-2433RP	953-2435RP	953-2435RP	953-2437RP	-	953-2445RP	953-2445RP	953-2445RP	953-2452RP	953-2454RP
111	1	Coupler Insert	953-2430RP	953-2430RP	953-2430RP	953-2430RP	953-2430RP	953-2430RP	-	953-2438RP	953-2438RP	953-2438RP	953-2446RP	953-2446RP
*	1	OSHA Coupler Guard	953-1914RP	953-1914RP	953-1914RP	953-2754RP	953-2754RP	953-2754RP	-	953-2755RP	953-2755RP	953-2755RP	953-2755RP	953-2755RP
26	1	Base	953-2360RP	953-2360RP	953-2360RP	953-2360RP	953-2360RP	953-2360RP	-	953-2353RP	953-2353RP	953-4294RP	953-2353RP	953-2353RP
29	2	Spacer (1st) Motor	951-5203RP	951-5201RP	951-5201RP	-	-	-	-	951-6291RP	951-6291RP	-	-	-
29B	2	Spacer (2nd) Motor	-	-	-	-	-	-	-	-	-	-	-	-
29A	4	Spacer Rd (1st) Motor	-	-	-	953-2228RP	953-2228RP	-	-	-	-	953-2229RP	953-2229RP	-
29D	4	Spacer Rd (2nd) Motor	953-2228RP	953-2228RP	953-2228RP	-	-	-	-	953-2228RP	953-2228RP	-	-	-
51	1	Foot Support	953-1639RP	953-1639RP	953-1639RP	953-1639RP	953-1639RP	953-1639RP	953-1639RP	953-1642RP	953-1642RP	953-1642RP	953-1642RP	953-1642RP

FI 1509C MOTOR FRAMES (NEMA STANDARD) "T"

ITEM NO.	NO. REQ.	DESCRIPTION	56	145T	182T	184T	213T	215T	254T	256T	284T	286TS	324TS	326TS
47	1	Coupler Guard	951-3696RP	951-3696RP	951-3696RP	951-3696RP	951-3076RP	951-3076RP	951-3079RP	951-3079RP	951-3079RP	951-3079RP	951-3079RP	-
109	1	Pump Coupler Half	953-2427RP	953-2427RP	953-2433RP	953-2433RP	953-2433RP	953-2433RP	953-2443RP	953-2443RP	953-2443RP	953-2450RP	953-2450RP	-
109A	1	Motor Coupler Half	953-2425RP	953-2427RP	953-2435RP	953-2435RP	953-2437RP	953-2437RP	953-2445RP	953-2445RP	953-2445RP	953-2452RP	953-2454RP	-
111	1	Coupler Insert	953-2424RP	953-2424RP	953-2430RP	953-2430RP	953-2430RP	953-2430RP	953-2438RP	953-2438RP	953-2438RP	953-2446RP	953-2446RP	-
*	1	OSHA Coupler Guard	953-1914RP	953-1914RP	953-2430RP	953-2430RP	953-2430RP	953-2430RP	953-2755RP	953-2755RP	953-2755RP	953-2755RP	953-2755RP	-
26	1	Base	953-4746RP	953-4746RP	953-4746RP	953-4746RP	953-4748RP	953-4748RP	953-4752RP	953-4752RP	953-4294RP	953-4294RP	953-4752RP	-
29	2	Spacer (1st) Motor	951-5203RP	951-5201RP	-	-	-	-	951-6291RP	951-6291RP	-	-	-	-
29B	2	Spacer (2nd) Motor	-	-	-	-	-	-	-	-	-	-	-	-
29A	4	Spacer Rd (1st) Motor	-	-	-	-	-	-	-	-	953-2229RP	953-2229RP	-	-
29D	4	Spacer Rd (2nd) Motor	-	-	-	-	-	-	953-2228RP	953-2228RP	-	-	-	-
51	1	Foot Support	953-1635RP	953-1635RP	953-1635RP	953-1635RP	953-1635RP	953-1639RP	953-1639RP	953-1642RP	953-1642RP	953-1642RP	953-1642RP	953-1642RP

FI 1509D MOTOR FRAMES (NEMA STANDARD) "T"

ITEM NO.	NO. REQ.	DESCRIPTION	56	143T	145T	182T	184T	213T	215T	254T	256T	284TS	286TS	324TS	326TS
47	1	Coupler Guard	951-3076RP	951-3076RP	951-3076RP	951-3076RP	951-3076RP	951-3076RP	951-3076RP	951-3079RP	951-3079RP	951-3079RP	951-3079RP	951-3079RP	951-3079RP
109	1	Pump Coupler Half	953-2437RP	953-2437RP	953-2437RP	953-2437RP	953-2437RP	953-2437RP	953-2437RP	953-2443RP	953-2443RP	953-2443RP	953-2450RP	953-2450RP	953-2458RP
109A	1	Motor Coupler Half	953-2431RP	953-2433RP	953-2433RP	953-2435RP	953-2435RP	953-2437RP	953-2437RP	953-2445RP	953-2445RP	953-2445RP	953-2452RP	953-2452RP	953-2462RP
111	1	Coupler Insert	953-2430RP	953-2430RP	953-2430RP	953-2430RP	953-2430RP	953-2430RP	953-2430RP	953-2438RP	953-2438RP	953-2438RP	953-2446RP	953-2446RP	953-2455RP
*	1	OSHA Coupler Guard	953-2754RP	953-2754RP	953-2754RP	953-2754RP	953-2754RP	953-2754RP	953-2754RP	953-2755RP	953-2755RP	953-2755RP	953-2755RP	953-2755RP	953-2755RP
26	1	Base	953-6239RP	953-6239RP	953-6239RP	953-6239RP	953-6239RP	953-6239RP	953-6239RP	953-6238RP	953-6238RP	953-6236RP	953-6236RP	953-6238RP	953-6238RP
29	2	Spacer (1st) Motor	951-5202RP	951-5202RP	951-5202RP					951-6291RP	951-6291RP				
29B	2	Spacer (2nd) Motor	951-5203RP	951-5201RP	951-5201RP										
29A	4	Spacer Rd (1st) Motor				953-2228RP	953-2228RP			953-2228RP	953-2228RP	953-2229RP	953-2229RP		
29D		Spacer Rd (2nd) Motor													
51	1	Foot Support	953-1639RP	953-1639RP	953-1639RP	953-1639RP	953-1639RP	953-1639RP	953-1639RP	953-1642RP	953-1642RP	953-1642RP	953-1642RP	953-1642RP	953-1642RP

NOTE: INCLUDE 'RP' AT END OF P/N

AW-727 Rev H



Taco, Inc., 1160 Cranston Street, Cranston, RI 02920 | Tel: (401) 942-8000 | FAX: (401) 942-2360

Taco (Canada), Ltd., 8450 Lawson Road, Suite #3, Milton, Ontario L9T 0J8 | Tel: (905) 564-9422 | FAX: (905) 564-9436

Visit our web site: www.TacoComfort.com | Printed in USA | ©2020 Taco, Inc.

