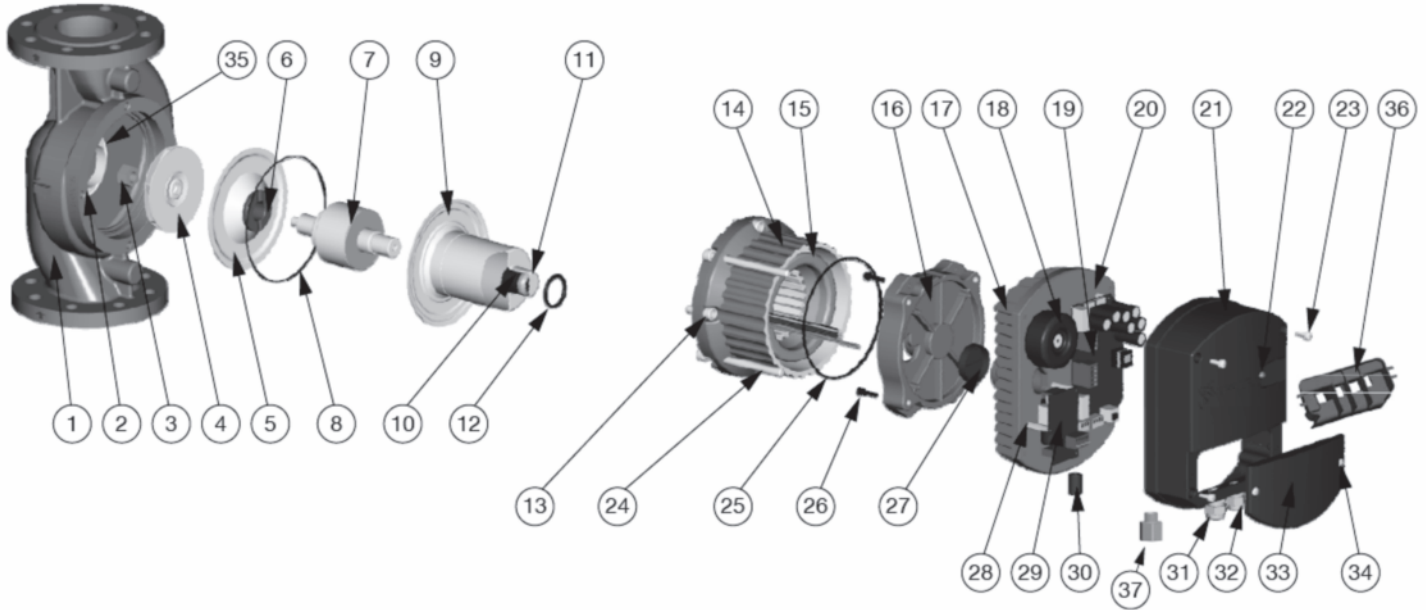


00e™ Series ECM Pumps VR15-1, VR20-1, VR25-1, VR30-1, VR15-2, VR20-2, VR25-2, VR30-2

SUPERSEDES: March 1, 2016

EFFECTIVE: October 2, 2017



ITEM NUMBER	DESCRIPTION
1	HYDRAULIC CASING VOLUTE
2	WEAR RING
3	NUT
4	IMPELLER
5	BEARING PLATE
6	RADIAL/AXIAL BEARING
7	ROTOR
8	O-RING EPDM (Ø153x3.5mm)
9	ROTOR CAN
10	RADIAL BEARING
11	SPACER (Ø32x9.5mm)
12	O-RING EPDM (Ø35x4mm)
13	ALLEN SCREW (M10x30mm)
14	STATOR HOUSING
15	STATOR
16	STATOR HOUSING END PLATE
17	HEAT SINK
18	POWER FACTOR CORRECTION
19	PCB
20	SPACER (M3x17mm)

ITEM NUMBER	DESCRIPTION
21	VFD HOUSING
22	FIBER OPTIC
23	ALLEN SCREW (M5x16mm)
24	ALLEN SCREW (M10x120mm) (VR15-1) ALLEN SCREW (M10x150mm) (VR20-1 & VR25-2) ALLEN SCREW (M10x180mm) (VR30-2)
25	O-RING EPDM (Ø150x2mm)
26	ALLEN SCREW (M6x25mm) (VR15-1 & VR20-1) ALLEN SCREW (M6x35mm) (VR25-2 & VR30-2)
27	CABLE SEAL
28	SPACER (M3x8mm)
29	CE FILTER
30	EMF FILTER
31	CABLE GLAND (M20x1.5mm)
32	CABLE GLAND (M16x1.5mm)
33	ELECTRICAL COVER
34	SCREW (M5x12mm)
35	WEAR RING HOLDER
36	WIRING BAY
37	THREAD ADAPTER (M20 x ½-14 NPSM)

KIT CONTENTS, CASING O-RING

ITEM NUMBER	NUMBER REQUIRED		TACO PART NUMBER			
			VR15	VR20	VR25	VR30
		TACO KIT (includes parts below)	975-001RP	975-001RP	975-001RP	975-001RP
8	1	O-RING EPDM (Ø153x3.5mm)	975-001	975-001	975-001	975-001

KIT CONTENTS, VOLUTE/HYDRAULIC

ITEM NUMBER	NUMBER REQUIRED		TACO PART NUMBER			
			VR15	VR20	VR25	VR30
		TACO KIT (includes parts below)	975-100RP	975-200RP	975-300RP	975-400RP
1	1	HYDRAULIC CASING VOLUTE	975-002	975-003	975-004	975-005
2	1	WEAR RING	975-006	975-007	975-007	975-007
35	1	WEAR RING HOLDER	975-008	975-008	975-008	975-008

KIT CONTENTS, CARTRIDGE, ROTATING ASSEMBLY

ITEM NUMBER	NUMBER REQUIRED		TACO PART NUMBER			
			VR15	VR20	VR25	VR30
		TACO KIT (includes parts below)	975-101RP	975-201RP	975-301RP	975-401RP
8	1	O-RING EPDM (Ø153x3.5mm)	975-001	975-001	975-001	975-001
3	1	NUT	975-009	975-010	975-010	975-010
4	1	IMPELLER	975-011	975-012	975-013	975-013
5	1	BEARING PLATE	975-014	975-014	975-014	975-014
6	1	RADIAL/AXIAL BEARING	975-015	975-015	975-015	975-015
7	1	ROTOR	975-016	975-017	975-017	975-018
13	4	ALLEN SCREW (M10x30mm)	975-019	975-019	975-019	975-019
12	1	O-RING EPDM (Ø35x4mm)	975-020	975-020	975-020	975-020
9	1	ROTOR CAN	975-021	975-022	975-022	975-023
10	1	RADIAL BEARING	975-024	975-024	975-024	975-024
11	1	SPACER (Ø32x9.5mm)	975-025	975-025	975-025	975-025

KIT CONTENTS, MOTOR

ITEM NUMBER	NUMBER REQUIRED		TACO PART NUMBER			
			VR15	VR20	VR25	VR30
		TACO KIT (includes parts below)	975-102RP	975-202RP	975-302RP	975-402RP
14	1	STATOR HOUSING	975-026	975-027	975-027	975-028
15	1	STATOR	975-029	975-030	975-030	975-031
16	1	STATOR HOUSING END PLATE	975-032	975-032	975-032	975-032
24	4	ALLEN SCREW (M10x120mm)	975-033	-	-	-
		ALLEN SCREW (M10x150mm)	-	975-034	975-034	-
		ALLEN SCREW (M10x180mm)	-	-	-	975-035
25	1	O-RING EPDM (Ø150x2mm)	975-036	975-036	975-036	975-036
26	4	ALLEN SCREW (M6x25mm)	975-037	975-037	-	-
		ALLEN SCREW (M6x35mm)	-	-	975-038	975-038
27	1	CABLE SEAL	975-039	975-039	975-040	975-040

KIT CONTENTS, ELECTRONIC

ITEM NUMBER	NUMBER REQUIRED		TACO PART NUMBER			
			VR15	VR20	VR25	VR30
		TACO KIT (includes parts below)	975-103RP	975-203RP	975-303RP	975-403RP
26	4	ALLEN SCREW (M6x25mm)	975-037	975-037	–	–
		ALLEN SCREW (M6x35mm)	–	–	975-038	975-038
27	1	CABLE SEAL	975-039	975-039	975-040	975-040
17	1	HEAT SINK	975-041	975-041	975-041	975-041
18	1	POWER FACTOR CORRECTION	975-042	975-042	975-042	975-042
19	1	PCB	975-043	975-043	975-044	975-044
20	4	SPACER (M3x17mm)	975-045	975-045	975-045	975-045
21	1	VFD HOUSING	975-046	975-046	975-046	975-046
22	1	FIBER OPTIC	975-047	975-047	975-047	975-047
23	4	ALLEN SCREW (M5x16mm)	975-048	975-048	975-048	975-048
28	3	SPACER (M3x8mm)	975-049	975-049	975-049	975-049
29	1	CE FILTER	975-050	975-050	975-051	975-051
30	2	EMF FILTER	975-052	975-052	975-052	975-052
31	1	CABLE GLAND (M20x1.5mm)	975-053	975-053	975-053	975-053
32	3	CABLE GLAND (M16x1.5mm)	975-054	975-054	975-054	975-054
33	1	ELECTRICAL COVER	975-055	975-056	975-057	975-058
34	2	SCREW (M5x12mm)	975-059	975-059	975-059	975-059
36	1	WIRING BAY	975-060	975-060	975-060	975-060
37	1	THREAD ADAPTER (M20 x ½-14 NPSM)	975-424	975-424	975-424	975-424

 **Taco Comfort Solutions**® A Taco Family Company

Taco, Inc., 1160 Cranston Street, Cranston, RI 02920 | Tel: (401) 942-8000 | FAX: (401) 942-2360

Taco (Canada), Ltd., 8450 Lawson Road, Suite #3, Milton, Ontario L9T 0J8 | Tel: (905) 564-9422 | FAX: (905) 564-9436

Visit our web site: www.TacoComfort.com | Printed in USA | ©2017 Taco, Inc.

