

Submittal Data Information

Multi-Volt Zone Sentry®

101-182

Effective: October 25, 2017

Supersedes: May 30, 2016

Job: _____ Engineer: _____ Contractor: _____ Rep: _____

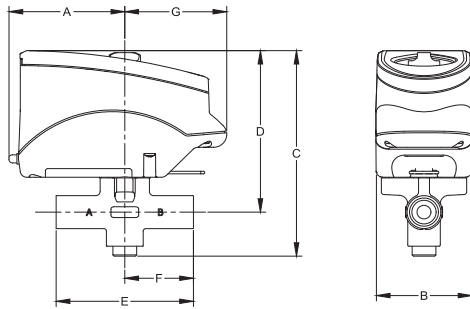
ITEM NO.	MODEL NO.	



Application:

One valve takes the place of many. The Multi-Volt Zone Sentry will accept input voltages between 120 and 277VAC 50/60HZ. The Multi-Volt Zone Sentry zone valve is designed for use in hydronic HVAC systems, primarily in fan coils and air handlers or other HVAC systems where a quality line voltage zone valve is required. The Multi-Volt Zone Sentry can be installed in both heating and cooling applications and is available in a normally closed or normally open configuration.

For Indoor Use Only



Product Specifications

Max. Operating Pressure.....	300 PSI (2100 kPa)
Max. Shutoff Pressure.....	125 PSI (875 kPa)
Max. Ambient Temp.	150°F
Fluid Temp. Range	20-220°F (-7°-104°C)
Service	Closed systems Optional open system configuration available Water/Water and glycol up to 50%
Seat Leakage	Drop-Tight Close-Off
Electrical Rating.....	120 VAC to 277VAC, 1Ph, 50/60Hz
Power Consumption.....	4 Watts (Charging)
Power Consumption	1.5 Watts (Power On)
Max. Duty Cycle.....	1 Cycle/Minute

Materials of Construction

Actuator:	
Body.....	High Performance Engineered Polymer
Gears.....	High Performance Internally Lubricated Engineered Polymer
Valve:	
Body.....	Forged Brass
Stem.....	Brass
Press Ring	Brass
Ball.....	Brass (Chrome Plated)
Seat.....	Modified Teflon®
O-Rings.....	EPDM

NOTE: The Multi-Volt actuator is available on all versions of Zone Sentry



Multi-Volt Zone Sentry® Dimensions: (FOR REFERENCE PURPOSES)

Valve Size	A		B		C		D		E (Sweat)		E (Threaded)		F		G	
	in.	mm	in.	mm	in.	mm	in.	mm	in.	mm	in.	mm	in.	mm	in.	mm
1/2"	2-5/8"	66.6	2-3/8"	60.3	4-7/8"	123.8	3-3/4"	95.3	3-1/8"	79.4	3-3/4"	95.3	1-9/16"	39.7	2-5/16"	58.7
3/4"	2-5/8"	66.6	2-3/8"	60.3	5"	127	3-7/8"	98.4	3-1/8"	79.4	3-5/16"	84.1	1-9/16"	39.7	2-5/16"	58.7
1"	2-5/8"	66.6	2-3/8"	60.3	5"	127	3-7/8"	98.4	3-7/8"	98.4	3-7/8"	98.4	1-7/8"	47.6	2-5/16"	58.7

NPT Models Normally Closed	2-Way	Sweat Models Normally Closed	NPT Models	3-Way	Sweat Models	Valve Size	2-Way Cv (Kv) / Ft of Pipe Equiv. *	Close-Off Pressure (kPa)	3-Way Cv (Kv) / Ft of Pipe Equiv. *
V050T2A2ZALNVE2A1	1/2" 2-way	V050C2A2ZALNVE2A1	V050T3A1ZALNVE2A1	1/2" 3-way	V050C3A1ZALNVE2A1	1/2"	4.9 (4.3) / 9.5	0-125 psi (0-862 kPa)	1.5 (1.3) / 111
V075T2A2ZALNVE2A1	3/4" 2 way	V075C2A2ZALNVE2A1	V075T3A1ZALNVE2A1	3/4" 3-way	V075C3A1ZALNVE2A1	3/4"	10.3 (8.9) / 8.4	0-125 psi (0-862 kPa)	3.3 (2.8) / 82
V100T2A2ZALNVE2A1	1" 2-way	V100C2A2ZALNVE2A1	V100T3A1ZALNVE2A1	1" 3-way	V100C3A1ZALNVE2A1	1"	8.9 (7.7) / 47.4	0-125 psi (0-862 kPa)	3.0 (2.6) / 411

Consult factory for additional model numbers
*At 4' per second (Max. recommended residential flow rate).

