

freedom FLANGE®

The Taco freedom FLANGE® fits 00®, 110 Series, 2400 Series and all small 00e™ ECM high-efficiency circulators. Be free from scraped knuckles and jury-rigged tools of yesteryear! Their Easy-On / Easy-Off and sweat designs make quick work of pump installation and maintenance. Available in Cast Iron, Stainless Steel or Bronze.



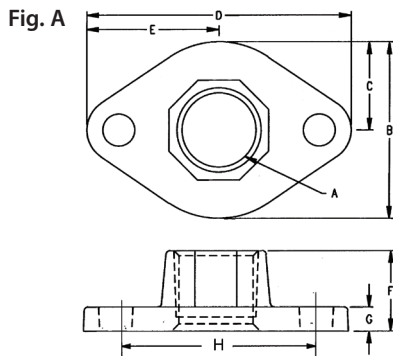
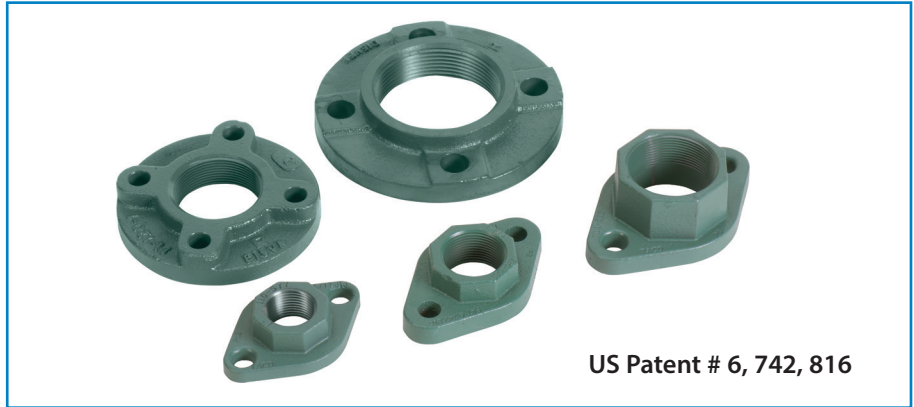
Submittal Data Information

freedom FLANGE®

Cast Iron freedom FLANGE®

At last, freedom from scraped knuckles and jury-rigged tools. Taco's flanges give you lots of ways to make quick work of your installation:

- Fits 00®, 110 Series, 2400 Series and all small 00e™ ECM high-efficiency circulators
- Easy-On, Easy-Off with a common adjustable wrench
- Nuts & Bolts included
- Cast Iron flanges available in sizes: 3/4", 1", 1-1/4", 1-1/2", 2", 2-1/2" and 3"



Cast Iron freedom FLANGE®

Fits all 00® models (except 0012), 110-113, 2400-10/20/45/50, HEC-2, VT2218, VR1816, 007e and VR3452

Figure	Product#	Size A	B	C	D	E	F	G	H
A	110-251F	3/4" NPT	2-3/4"	1-3/8"	4-1/8"	2-1/16"	1"	3/8"	3-1/8"
A	110-252F	1" NPT	2-3/4"	1-3/8"	4-1/8"	2-1/16"	1"	3/8"	3-1/8"
A	110-253F	1-1/4" NPT	2-3/4"	1-3/8"	4-1/8"	2-1/16"	1"	3/8"	3-1/8"
A	110-254F	1-1/2" NPT	2-3/4"	1-3/8"	4-1/8"	2-1/16"	1"	3/8"	3-1/8"

Fits 0012-F4 and 2400-30/40

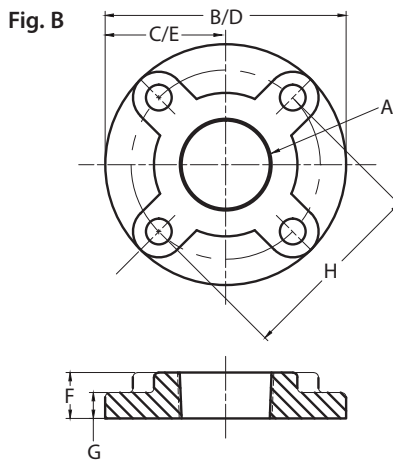
Figure	Product#	Size A	B	C	D	E	F	G	H
A	194-1540F	1-1/4" NPT	2-15/16"	1-15/32"	4-3/4"	2-3/8"	1-3/16"	9/16"	3-7/16"
A	194-1542F	1-1/2" NPT	2-15/16"	1-15/32"	4-3/4"	2-3/8"	1-3/16"	9/16"	3-7/16"

1-1/2" Flange set included in each 0012-F4 box.

Fits 0012-F4-1 (2"), 2400-50/2

Figure	Product#	Size A	B	C	D	E	F	G	H
A	194-2124F	2" NPT	3-5/8"	1-13/16"	5-9/16"	2-25/32"	1-3/4"	9/16"	4-1/8"

2" Flange set included in each 0012-F4-1 box.



Fits 2400-60, 2400-65 and 2400-70

Figure	Product#	Size A	B	C	D	E	F	G	H
B	185-086C	2" NPT	5-1/4"	2-5/8"	5-1/4"	2-5/8"	1"	9/16"	4-1/8"

Fits 2400-70/3

Figure	Product#	Size A	B	C	D	E	F	G	H
B	185-112C	2-1/2" NPT	6-5/8"	3-5/16"	6-5/8"	3-5/16"	1-1/8"	11/16"	5-1/4"
B	185-113C	3" NPT	6-5/8"	3-5/16"	6-5/8"	3-5/16"	1-1/8"	11/16"	5-1/4"

All dimensions are nominal.

StainlessSteel freedom FLANGE®

- Fits all Stainless Steel 00® circulators, 110 Series and 2400 Series
- Easy-On, Easy-Off with a common adjustable wrench
- NSF-372 Certified for low lead
- Nuts & Bolts included
- Stainless Steel flanges available in sizes: 3/4", 1", 1-1/4", 1-1/2", 2", 2-1/2" and 3" NPT

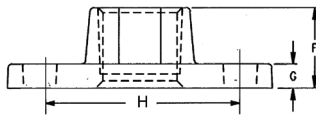
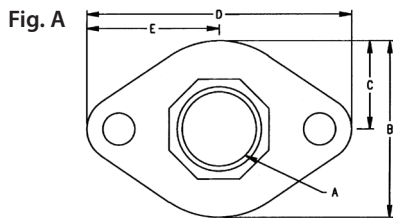


Fig. B

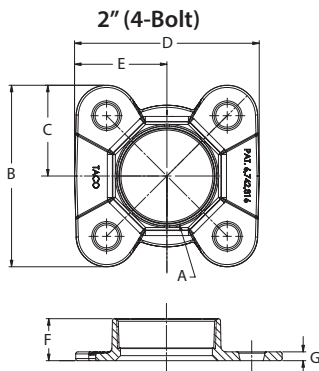
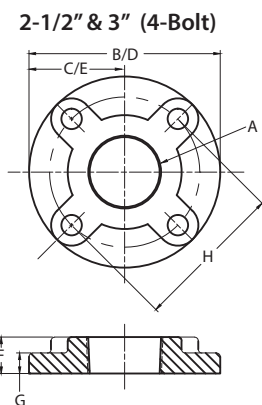


Fig. C



Stainless Steel freedom FLANGE®

Fits all 00® models (except 0012), 110-113 and 2400-10/20/45/50

Figure	Product#	Size A	B	C	D	E	F	G	H
A	110-251SF	3/4" NPT	2-3/4"	1-3/8"	4-1/8"	2-1/16"	1"	7/32"	3-1/8"
A	110-252SF	1" NPT	2-3/4"	1-3/8"	4-1/8"	2-1/16"	1"	7/32"	3-1/8"
A	110-253SF	1-1/4" NPT	2-3/4"	1-3/8"	4-1/8"	2-1/16"	1"	7/32"	3-1/8"
A	110-254SF	1-1/2" NPT	2-3/4"	1-3/8"	4-1/8"	2-1/16"	1"	7/32"	3-1/8"

Fits 0012-SF4, 2400-30S/40S

Figure	Product#	Size A	B	C	D	E	F	G	H
A	194-1540SF	1-1/4" NPT	2-15/16"	1-15/32"	4-3/4"	2-3/8"	1"	7/32"	3-7/16"
A	194-1542SF	1-1/2" NPT	2-15/16"	1-15/32"	4-3/4"	2-3/8"	1"	7/32"	3-7/16"

1-1/2" Flange set included in each 0012-SF4 box.

Fits 0012-SF4-1 (2"), 2400-50S/2

Figure	Product#	Size A	B	C	D	E	F	G	H
A	194-2124SF	2" NPT	3-5/8"	1-13/16"	5-9/16"	2-25/32"	1"	7/32"	4-1/8"

2" Flange set included in each 0012-SF4-1 box.

Fits 2400-60S, 2400-65S and 2400-70S

Figure	Product#	Size A	B	C	D	E	F	G	H
B	185-086S	2" NPT	4-5/16"	2-3/16"	4-3/8"	2-3/16"	1"	1/4"	4-1/8"

Fits 2400-70S/3

Figure	Product#	Size A	B	C	D	E	F	G	H
C	185-112S	2-1/2" NPT	6-5/8"	3-5/16"	6-5/8"	3-5/16"	1-1/8"	11/16"	5-1/4"
C	185-113S	3" NPT	6-5/8"	3-5/16"	6-5/8"	3-5/16"	1-1/8"	11/16"	5-1/4"

All dimensions are nominal.

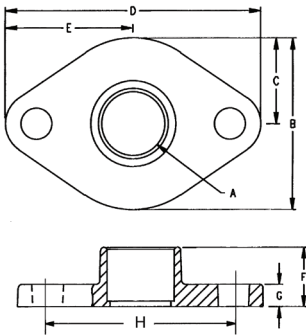
Submittal Data Information *freedom* FLANGE®

Bronze Sweat *freedom* FLANGE®

- Fits all 00® (except 0012), 110 Series, 2400 — 10/20/45/50, HEC-2, 007e, VR1816, VT2218 & VR3452
- NSF-372 Certified for low lead
- Nuts & Bolts included
- Bronze Sweat flanges available in sizes: 1/2", 3/4", 1", 1-1/4" and 1-1/2"



Fig. A



Fits All Cast Iron or Stainless Steel 00® models (except 0012), 110-113, 2400-10/20/45/50, HEC-2, 007e™, VT2218, VR1816 and VR3452.

Figure	Product#	Size A	B	C	D	E	F	G	H
A	110-522BSFL*	1/2" Swt	2-3/4"	1-3/8"	4-1/8"	2-1/16"	7/8"	3/8"	3-1/8"
A	110-523BSFL*	3/4" Swt	2-3/4"	1-3/8"	4-1/8"	2-1/16"	7/8"	3/8"	3-1/8"
A	110-524BSFL*	1" Swt	2-3/4"	1-3/8"	4-1/8"	2-1/16"	1"	3/8"	3-1/8"
A	110-525BSFL*	1-1/4" Swt	2-3/4"	1-3/8"	4-1/8"	2-1/16"	1-1/8"	3/8"	3-1/8"
A	110-526BSFL*	1-1/2" Swt	2-3/4"	1-3/8"	4-1/8"	2-1/16"	1-1/4"	3/8"	3-1/8"

* L - Denotes Low Lead Compliant, ≤ .25% lead, NSF-372 Certified

All dimensions are nominal.



Taco Inc., 1160 Cranston Street, Cranston, RI 02920 / (401) 942-8000 / Fax (401) 942-2360
Taco (Canada) Ltd., 8450 Lawson Road, Unit #3, Milton, Ontario L9T 0J8 / (905) 564-9422 / Fax (905) 564-9436