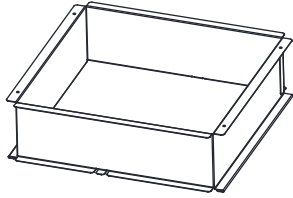




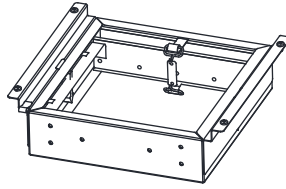
ADVANCING
VENTILATION®

Radiation Damper PCVRD

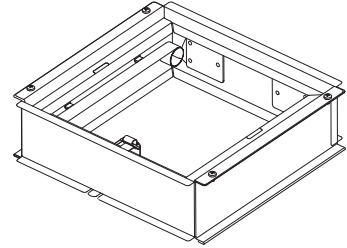
COMPONENTS



Damper Adapter



Radiation Damper



Damper Assembly

Note: Please wear gloves during installation.

PREPARATION

1. Slide the adapter's hemmed edges onto the fan housing flanges as shown to the right (Fig.1 & Fig.2).

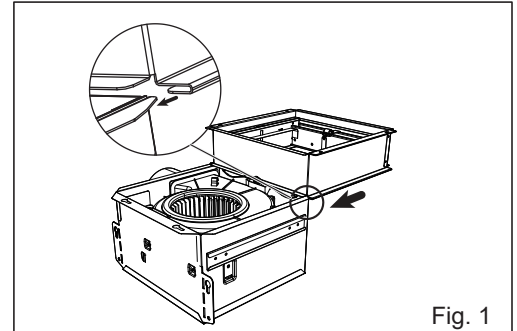


Fig. 1

2. Crimp channel on both sides of Damper Adapter to lock the Damper Adapter in place.

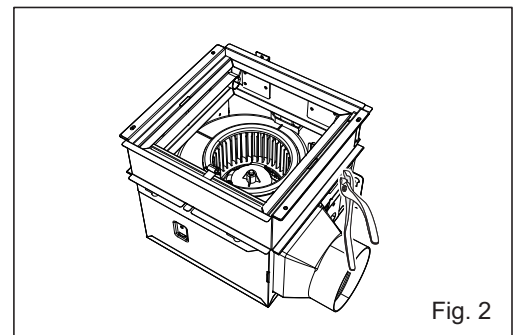


Fig. 2

READ AND SAVE THESE INSTRUCTIONS
Installer: Leave this manual with the homeowner.

NON-COMBUSTIBLE FLOOR/CEILING INSTALLATION

MAKE SURE FINISHED CEILING IS FLUSH WITH BOTTOM EDGE OF DAMPER.

1.If the fan is hung from the structure above, must be used Min. 12 gauge steel wire(3mm) to suspend the fan .Slide hanger bars onto housing and adjust as needed to fit between framing. Use one wire on each side of fan and secure to mounting chanel

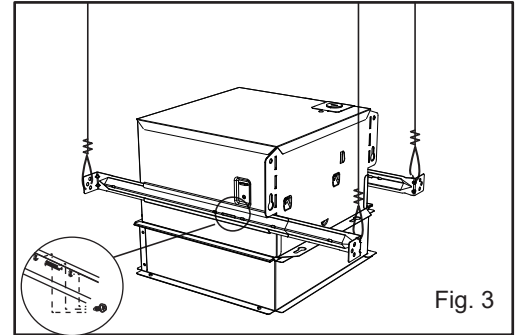


Fig. 3

INSTALL GRILLE

Pinch the grille springs on the sides of the grille assembly and position the grille into the housing with the grille springs in the appropriate slots of the Damper Assembly. Push the grille assembly towards the ceiling to secure (Fig. 4) .

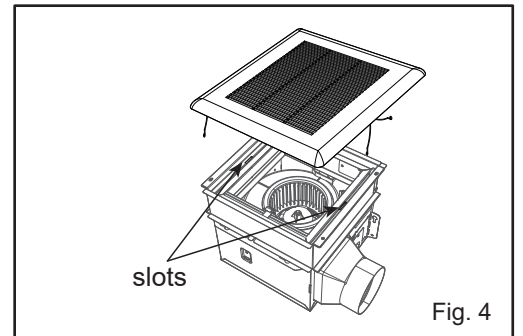


Fig. 4