



ADVANCING VENTILATION®



PCLPD100XHP

Low Profile Ceiling or Wall Mounted Exhaust fan with DC Motor

FEATURES

- Built-in high speed toggle switches allow for 50CFM/80CFM/100CFM selection with AutoFlo technology.
- Low speed runs continuously (Adjustable 0, 30CFM - Max CFM) for a low/high two speed operation – low speed can be disabled.
- Built-in sophisticated humidity sensor that responds to: (a) rapid to moderate increases in humidity or (b) humidity above a user-adjustable setpoint (30%-80% relative humidity)
- Totally enclosed brushless DC motor designed for continuous operation.
- Detachable 4 inch polymeric collar which includes a light weight built in plastic back draft damper.
- 26 GA galvanized steel housing construction.
- Built in overload disconnect for safety and longer motor life.

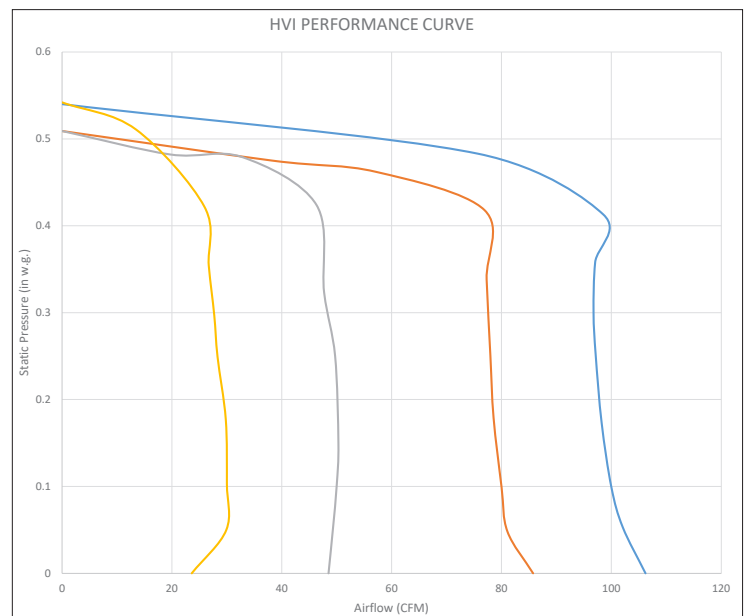
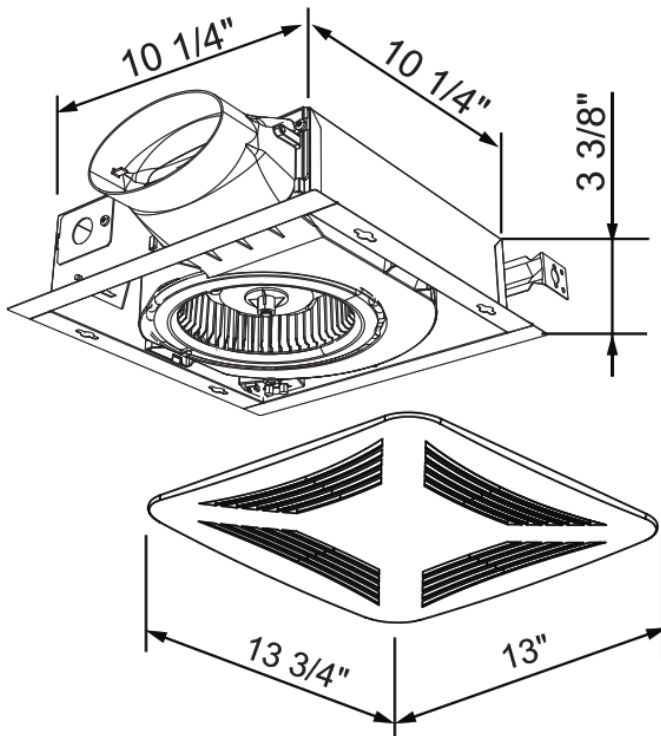
ACCESSORIES

- PCLPLEDK - LED Lighted Grille
- PCLPR4-3 - 4" Oval to 3" Round Reducer
- PCRD - Radiation Damper
- PCLPLEDKRD - LED Lighted Grille & Radiation Damper Kit

Duct Diameter	Static Pressure (inches w.g.)	Air Volume (CFM)	Noise (sones)	Fan Watts	VAC/HZ	Efficacy	Max Amps
4" Oval	0.1	50	0.6	5	120/60	10	.31
	0.25	53	-	-		-	
	0.1	80	1	7		11.43	
	0.25	81	-	-		-	
	0.1	100	1.5	12		8.33	
	0.25	101	-	-		-	

*Maximum power tested was observed to be 23.6 watts

DIMENSIONS:



All specifications are subject to change without notice unless approved in submittal by S&P.
PCLPD110XHP SUBMITTAL 04172023