

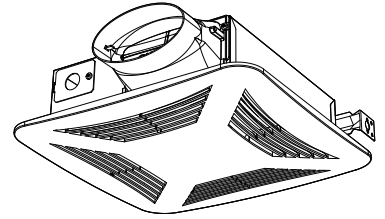


ADVANCING VENTILATION®

Model: PCLPD100XHP

WARNING

VENTILATION FAN



TO REDUCE THE RISK OF FIRE, ELECTRIC SHOCK, OR INJURY TO PERSONS, OBSERVE THE FOLLOWING:

- Use this unit only in the manner intended by the manufacturer. If you have questions, contact the manufacturer.
 - Before servicing or cleaning unit, switch power off at service panel and lock the service disconnecting means to prevent power from being switching on accidentally. When the service disconnecting means cannot be locked, securely fasten a prominent warning device, such as a tag, to the service panel.
 - Installation work and electrical wiring must be done by a qualified person(s) in accordance with all applicable codes and standards, including fire-rated construction codes and standards.
 - Sufficient air is needed for proper combustion and exhausting of gases through the flue (chimney) of fuel burning equipment to prevent backdrafting.
- Follow the heating equipment manufacturer's guideline and safety standards such as those published by the National Fire Protection Association (NFPA), and the American Society for Heating, Refrigeration and Air Conditioning Engineers (ASHRAE), and the local code authorities.
- When cutting or drilling into wall or ceiling, do not damage electrical wiring and other hidden utilities.
 - Ducted fans must always be vented to the outdoors.
 - Acceptable for use over a tub or shower when connected to a GFCI (Ground Fault Circuit Interrupter) - protected branch circuit (ceiling installation only).
 - This unit must be grounded.
 - Not for Use in Kitchens.
 - To reduce risk of fire and to properly exhaust air, be sure to duct air outside – Do not vent exhaust air into spaces within walls or ceilings or into attics, crawl spaces, or garages.
 - WARNING: To Reduce The Risk Of Fire Or Electric Shock, Do Not Use This Fan With Any Solid-State Speed Control Device.**
 - The fan must not be installed in a ceiling thermally insulated to a value greater than R40.

CAUTION

- For general ventilating use only. Do not use to exhaust hazardous or explosive materials and vapors.
- This product is designed for installation in ceilings up to a 12/12 pitch (45 degree angle). Duct connector must point up.
- To avoid motor bearing damage and noisy and/or unbalanced impellers, keep drywall spray, construction dust, etc. off power unit.
- Please read specification label on product for further information and requirements.

CLEANING & MAINTENANCE

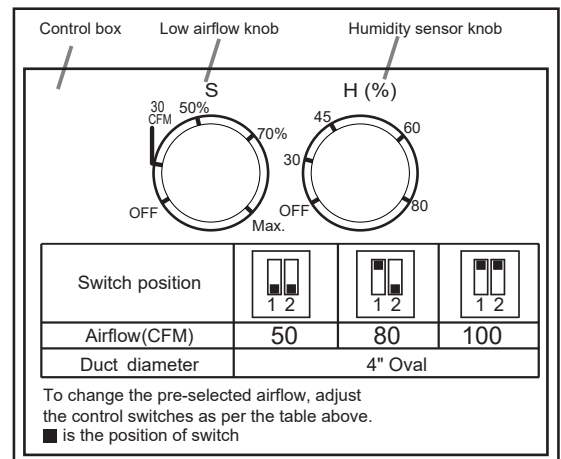
For quiet and efficient operation, long life, and attractive appearance - lower or remove grille and vacuum interior of unit with the dust brush attachment. The motor is permanently lubricated and never needs oiling. If the motor bearings are making excessive or unusual noises, replace the motor with the exact service motor. The impeller should also be replaced.

OPERATION

See "Connect Wiring" for details.

The control box, located inside the fan housing, has three separate adjustments:

- The low airflow knob adjusts the lower airflow from 30 CFM up to the air flow rate of the high fan speed determined by the toggle switch setting.
The low speed is de-activated when set between OFF-30 CFM (factory set to OFF).
- The humidity sensor knob set user-adjustable setpoint. The humidity sensor is de-activated when set between OFF-30% (factory set to 80% (Ambient temperature of 25°C)).
- The toggle switch will adjust the upper fan speed setting from 50 to 100 CFM. (factory set to 100CFM).



READ AND SAVE THESE INSTRUCTIONS

Installer: Leave this manual with the homeowner.

OPERATION

To Turn Fan ON

Turn the switch I (according to the following "CONNECT ELECTRICAL WIRING") ON.

- Fan will run at the certified airflow rate if the switch II is ON.
- Fan will run at the user-adjustable airflow rate if the switch II is OFF.

To Use Fan Time Delay Airflow Rate Change

1. Turn the switch I ON.
2. Turn the switch II ON - fan will run at the certified airflow rate.
3. When the switch II is turned OFF, fan will continue to run at the certified airflow rate until the time delay has elapsed (the delay time is 20 mins), and then will automatically change to the user-adjustable airflow rate.

To Turn Fan OFF

Turn the switch I OFF

Fan runs continuously at a low speed (adjustable by low airflow knob) and automatically boost up to high speed when either of these conditions is detected: a) Humidity above a user-adjustable setpoint (30%-80% relative humidity). b) rapid increases in humidity. After delay timer (20 minutes) returns fan to the default low speed. Humidity sensor description according to "HUMIDITY SENSOR OPERATION" and "SENSITIVITY ADJUSTMENT".

HUMIDITY SENSOR OPERATION

The humidity-sensing fan uses a sophisticated humidity sensor that responds to: (a) rapid increases in humidity or (b) humidity above a user-adjustable set-point (30%-80% relative humidity). Fan runs continuously at a pre-set lower level (set by Low airflow knob) and automatically boosts up to the certified airflow rate when environmental conditions change. If the fan continuously responds to changing environmental conditions, "H" (means "humidity") adjustment may- be required.

SENSITIVITY ADJUSTMENT

The "H" has been factory set for most shower applications. However, if the fan is in a tub area or is being used for dampness control, the "H" may need to be increased toward maximum. If the control is responding too often to changing environmental conditions, movement toward maximum, "H" may be required.

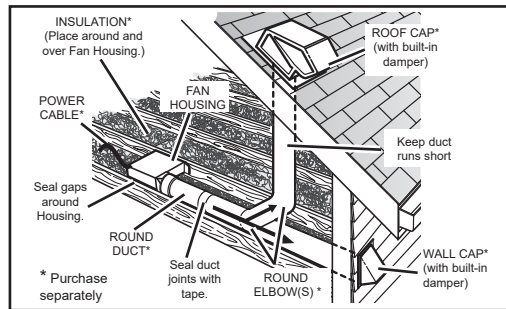
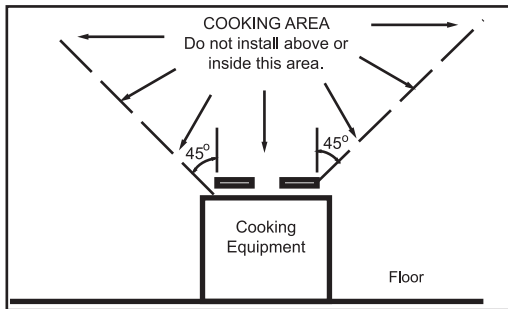
To adjust the "H":

1. Disconnect power at service entrance.
2. Through the grille, locate the slot marked "H".
3. Carefully rotate the "H" adjustment toward maximum or minimum.
4. Turn on power and check operation by turning on the shower or other humidity source until the fan turns on.
5. Repeat above steps if necessary.

When the temperature changes, humidity sensor values will have deviation.


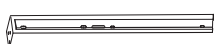
PLAN THE INSTALLATION

1. Do not install fan above or inside a 45-degree angle projected outwards from the cooking equipment element closest to the fan. See instruction sheet for clarification.
2. Two ways to connect ductwork to a factory-shipped unit.

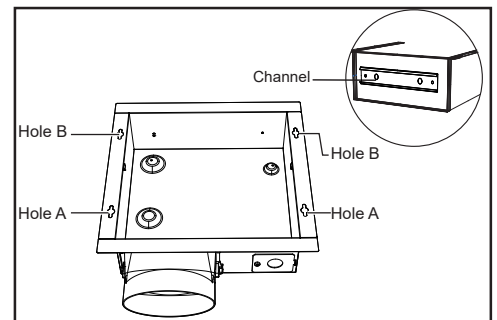


ASSEMBLY INSTRUCTIONS

1. Before installation, you need to know:

Screw A		ST4.2*13mm
Screw B		ST4.2*25mm
Hanger bar		13 3/8 in. (340mm)

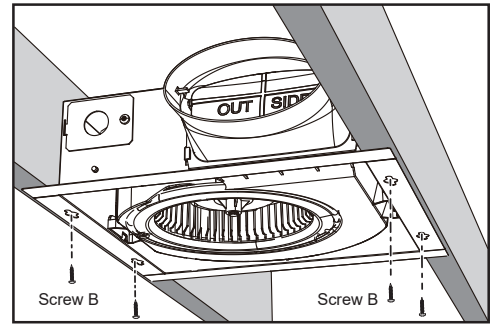
When installing contractor packs (if available), make sure to install any optional such as lighted grille plugs with the fan housing to ensure wiring is completed properly. Module and grille plugs come packaged with the optional accessory and must be installed with the fan housing.



ASSEMBLY INSTRUCTIONS

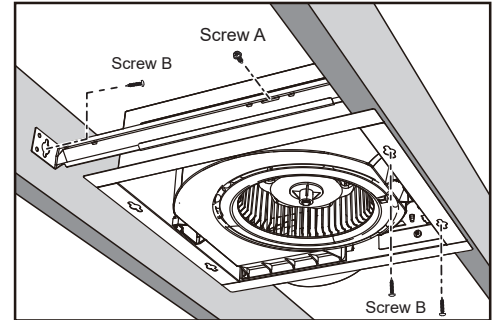
2. Mount with mounting holes

Hold housing in place so that the mounting flange contacts the bottom of the joist, Screw the mounting flange to the joists through the holes A and B.



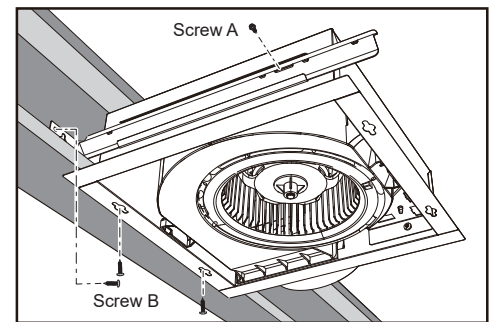
3. Mount with mounting holes

Slide one hanger bar into the channel on the housing and adjust as needed to fit between framing. Hold housing in place so that the mounting flange contacts the bottom of the joist, Screw the mounting flange to joist through the holes A and B. Screw the hanger bar onto the other side of joist through its hole. Screw hanger bar to housing with screw A.



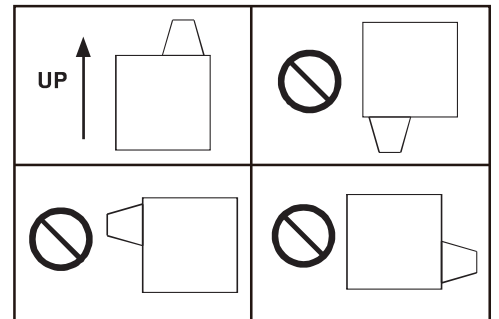
4. Mount to I-joist

Slide hanger bar into the channel on the housing and adjust as needed to fit I-joist. Hold housing in place so that the mounting flange contacts the bottom of the joist. Screw the mounting flange to the joist through holes A and B. Screw the hanger bar onto the joist through its hole. Screw the hanger bar to the housing with screw A.

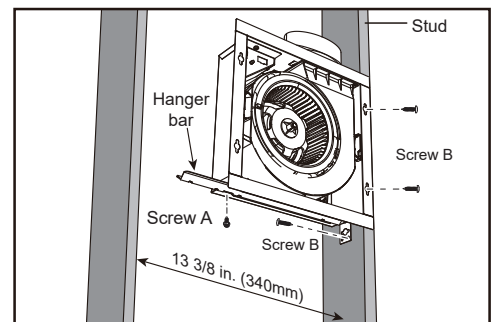


5. Wall installation

5a. When the product is installed on the wall, the adaptor shall be faced upward.

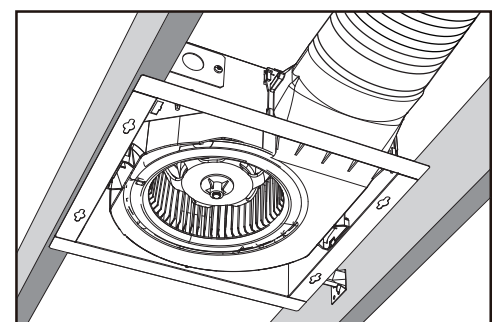


5b. Slide the hanger bar into the channel on the housing. Hold the housing in place so that the mounting flange contacts the inner surface of the stud. Screw the mounting flange to the stud through the holes A and B on the same side. Screw the hanger bar onto the stud through its hole. Screw the hanger bar to housing with screw A. The minimum installation distance between studs is 13 3/8 in. (340mm)



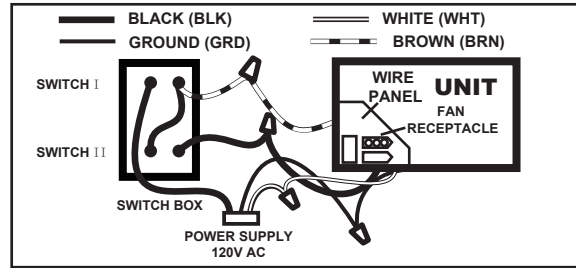
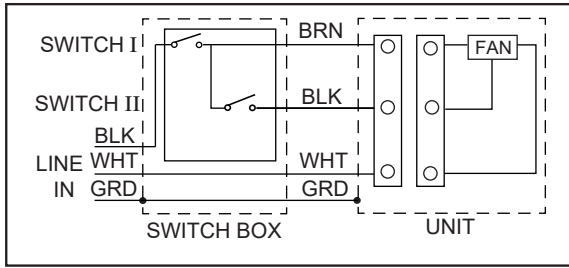
6. INSTALL ROUND DUCTWORK

Connect the round ductwork (not included) to the damper/duct connector, and run the ductwork to a roof or wall cap (not included). Using tape (not included), secure all the ductwork connections so that they are air tight. The ducting from this fan to the outside of building has a strong effect on the air flow, noise and energy use of the fan. Use the shortest, straightest duct routing possible for best performance, and avoid installing the fan with smaller ducts than recommended. Insulation around the ducts can reduce energy loss and inhibit mold growth. Fans installed with existing ducts may not achieve their rated air flow.



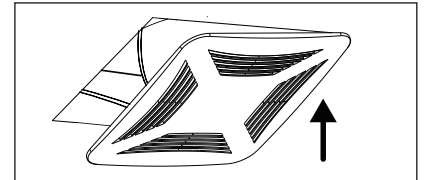
CONNECT ELECTRICAL WIRING

Run 120V AC house wiring to the location of the fan. Use only UL-approved connectors (not included) to attach the house wiring to the wiring plate. Refer to the wiring diagram, and connect the wires as shown.



INSTALL GRILLE

Install ceiling material to complete the ceiling construction. Then, cut around the fan housing. To attach the grille assembly to the fan housing, pinch the grille springs on the sides of the grille assembly, and position the grille into the housing with the grille springs in the appropriate slots. Push the grille assembly towards the ceiling to secure.



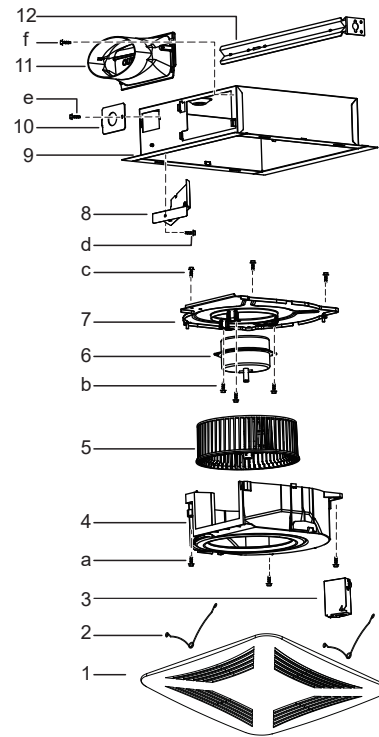
SERVICE PARTS

PART	PART NAME	Qty.
1	Grille Assembly (includes part 2)	1
2	Grille Spring	2
3	Power box	1
4	Blower	1
5	Blower Wheel	1
6	Motor	1
7	Motor plate	1
8	Wire Panel / Harness Assembly	1
9	Housing	1
10	Wiring plate	1
11	Damper / Duct Connector	1
12	Hanger Bar	1
a	Screw	3
b	Screw	3
c	Screw	3
d	Screw	1
e	Screw	1
f	Screw	1

Blower Assembly includes part 3, 4, 5, 6, b, c.

*Replacement parts are shown for illustration purposes only and are not sold separately

WARNING: Before replacing, be sure to turn off power at power source.



WARRANTY

S&P USA Ventilation Systems, LLC. & S&P Canada Ventilation Products, Inc. warrants to the original end user of its products that our exhaust fans will be free from defects in materials and workmanship for a period of Six (6) years from the date of original purchase. THERE ARE NO OTHER WARRANTIES, EXPRESSED OR IMPLIED, INCLUDING BUT NOT LIMITED TO IMPLIED WARRANTIES OF SUITABILITY FOR A PARTICULAR PURPOSE.

During this six year period, S&P will, at its option, repair returned products or parts, or provide replacement products or parts, without charge, for any product or part which is found to be defective under normal use.

This warranty does not cover normal maintenance and service or any parts that have been subject to misuse, negligence, accident, improper maintenance or repair, faulty installation or installation contrary to recommended installation instructions.

S&P's obligation to repair or replace, at S&P's option, shall be the purchaser's sole and exclusive remedy under this warranty. No labor or materials are covered by this warranty. S&P shall not be liable for incidental damages arising out of or in connection with product use or performance.

This warranty gives you specific legal rights. You may also have other rights which vary from state to state.

To qualify for warranty service, you must notify S&P at the address or telephone number stated below, provide the model number and part identification, and describe the nature of any defect in product or part. You may be required to ship a defective part to S&P. There will be no charge for shipping repaired or replacement parts from S&P to you if your address is in the United States or Canada. At the time of requesting warranty service, you must present evidence of the original purchase date.



**ADVANCING
VENTILATION®**

S&P USA Ventilation Systems, LLC.

6393 Powers Avenue Jacksonville, FL 32217

P. 904-731-4711

F. 800-961-7379

www.solerpalau-usa.com

S&P Canada Ventilation Products, Inc.

6710 Maritz Drive Unit #7 Mississauga, ON L5W 0A1 - Canada

T. 416-744-1217

F. 416-744-0887

www.solerpalaucanada.com