



ADVANCING VENTILATION®

PC50XP

Premium CHOICE Exhaust Fan

FEATURES:

- Extremely quiet operation
- Totally enclosed condenser motor for long life
- Robust steel housing
- Attractive, sturdy grille



OPTIONS + ACCESSORIES:

- Humidity Sensor Plug-&-Play
- Speed Control Plug-&-Play
- LED Lighted Grille

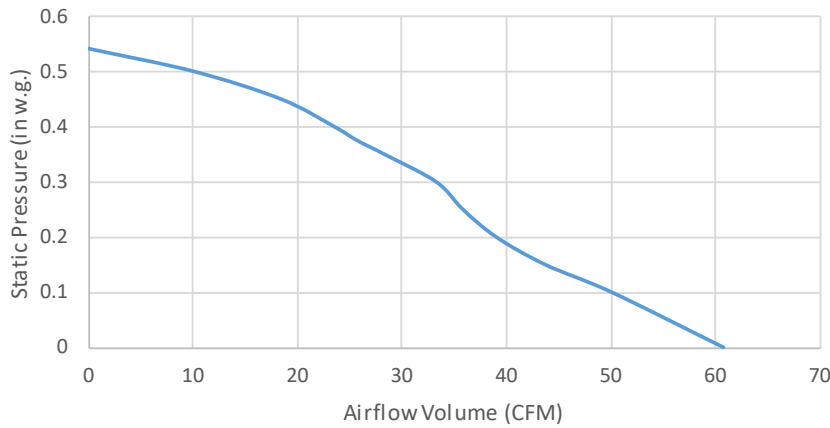


PERFORMANCE:

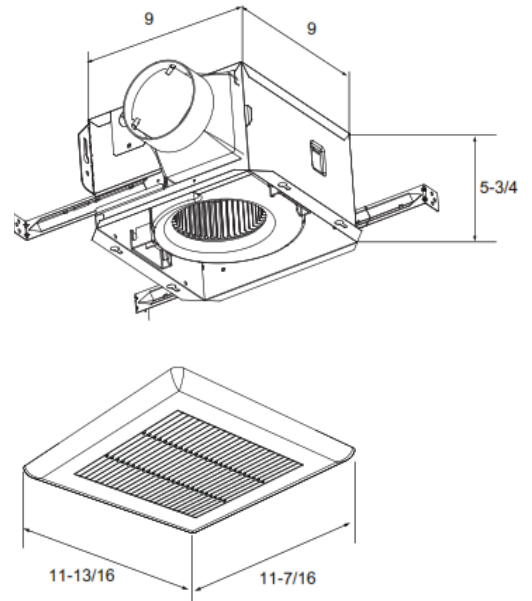
Duct Size (IN)	Airflow (CFM)		Sones @ 0.1" SP	Frequency (Hz)	Voltage (V)	Max Power (Watts)*	Efficacy (CFM/Watts)*	Max Current (Amps)	Weight (lbs)
	0.1	0.25					0.1		
4	50	36	0.4	60	120	14.6	4.0	0.2	8

* based on as-tested values

HVI PERFORMANCE CURVE



DIMENSIONS (IN):



TYPICAL SPECIFICATION:

S&P PC50XP mounted in the ceiling. The fan shall have a 5-year limited warranty. The fan is HVI certified at .1 and .25 inches of water gauge for CFM performance above. The motor shall be ETL and cETL Listed with impedance protection plus additional thermal protection.