

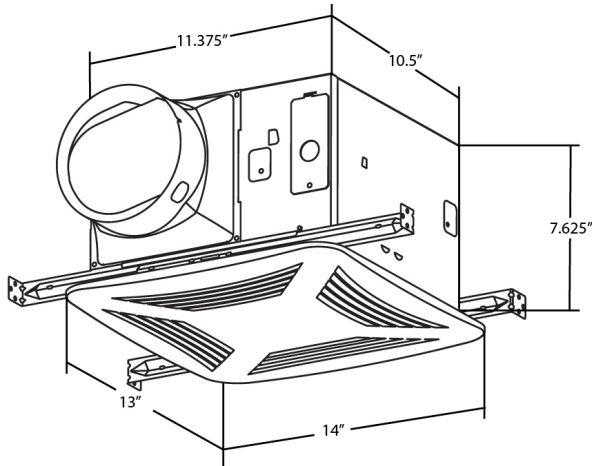


MODEL PC150XP

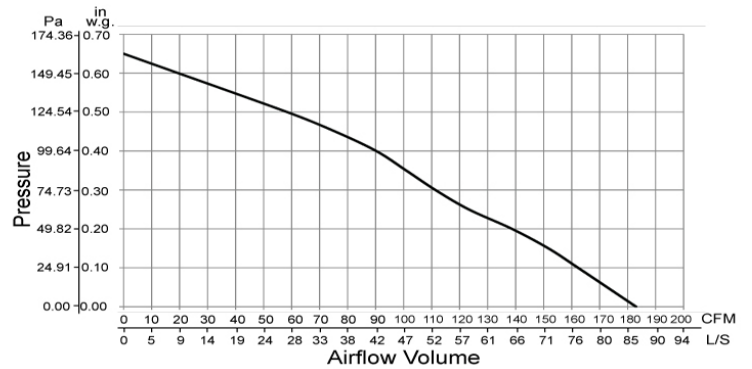
(Ceiling Mounted Ventilation Fans)



DIMENSIONS



AMCA PERFORMANCE CURVE



AMCA PERFORMANCE

Duct (in)	Airflow (CFM) / Sound (Sones) @ Static Pressure (in wg)										Frequency (Hz)	Voltage (V)	Max Power (W)	Max Current (Amps)	Nominal Speed (RPM)
	0	0.10	0.15	0.20	0.25	0.30	0.35	0.40	0.45	0.50					
6"	183	162	152	139	123	111	101	90	76	58	60	120	38	0.35	1015
	1.8	1.5	-	-	1.7	-	-	-	-	4.2					



Performance certified is for installation type B. Free inlet, ducted outlet.
 Rating Method "F" (Direct Drive, As Run Speed, High Slip Motor)
 Speed shown is nominal. Performance is based on actual speed of test.
 Performance ratings include the effects of integral backdraft damper and grille.
 The sound ratings shown are loudness values in hemispherical sones at 1.5 m (5 ft) in a hemispherical free field calculated per AMCA Standard 301.
 Values shown are for: Installation Type B: free inlet hemispherical sone levels.
 S&P USA Ventilation Systems, LLC certifies that the fans shown herein are licensed to bear the AMCA seal.
 The ratings shown are based on tests and procedures performed in accordance with AMCA Publications 211 and 311 and comply with the requirements of the AMCA Certified Ratings Program.

HVI PERFORMANCE

Duct (in)	Airflow (CFM) / Sound (Sones) @ Static Pressure (in wg)		Frequency (Hz)	Voltage (V)	Max Power (W)	Efficacy @ 0.1" SP (CFM/W)*	Max Current (Amps)	Nominal Speed (RPM)
	0.1	0.25						
6"	150	115	60	120	38	4.6	.35	1015
	0.5	-						

* Based on as-tested values

All specifications are subject to change without notice unless approved in submittal by S&P.
 PC150XP-SUBMITTAL_v1_090519