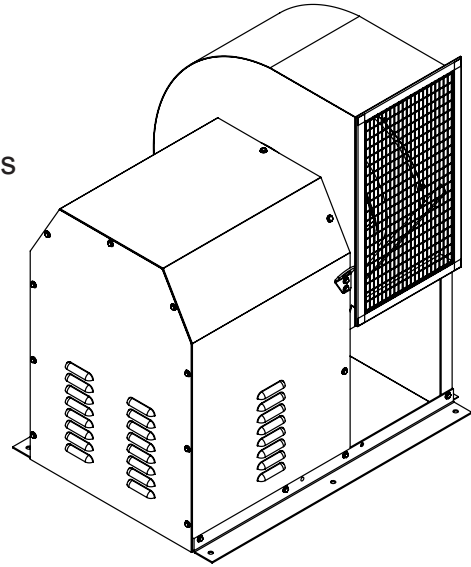




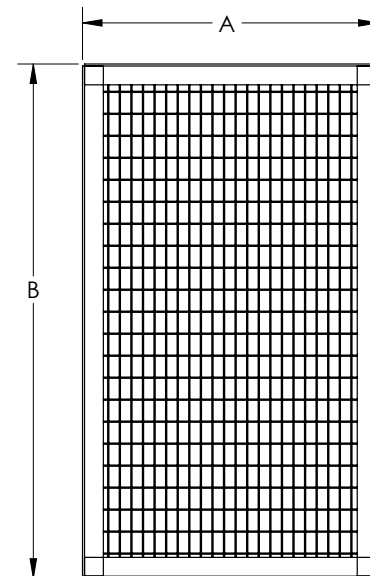
# OUTLET GUARD FOR SERIES CM

## Features

- Heavy-gauge wire protects people and unwanted debris from entering fan outlet.
- Outlet guard comes with outlet flange.
- Not for UL762 use.
- Outlet guards meet OSHA guidelines.



CM MODEL	A (IN)	B (IN)
10	9	14-3/4
12	11	18
14	12	20
16	13	22
18	14	24-1/2
20	15-3/4	27-1/4
22	17-1/4	30-1/4
24	19-1/4	33-3/4
27	21	37-1/2
30	23	41-3/4
36	25-1/2	46-1/2



NOTE: DIMENSIONS ROUNDED TO NEAREST 1/4"

ACCESSORY MODEL	1	2	3	4	5	REMARKS

Project: _____	Submitted: _____
Customer: _____	Approved: _____
Location: _____	

Soler & Palau will not be responsible for fabrication changes or errors resulting from customer use of a non-current submittal drawing.