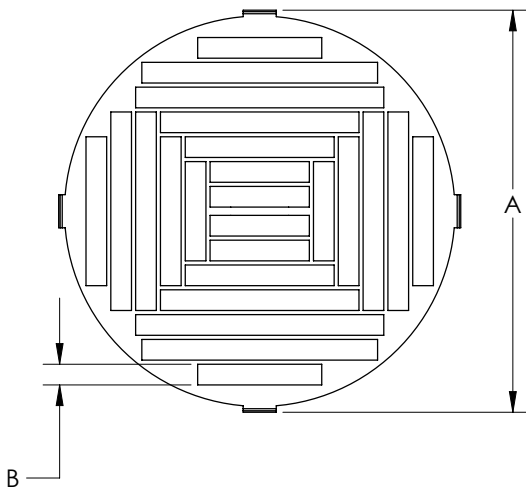
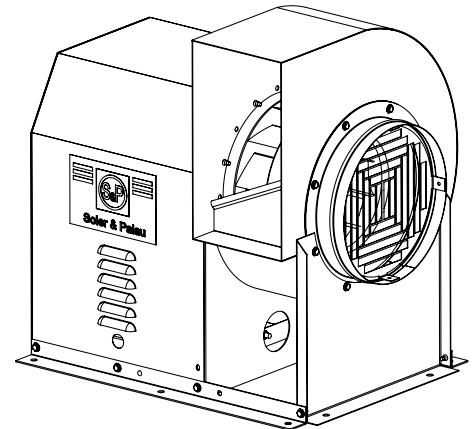




# INLET GUARD FOR SERIES CM

## Features

- Heavy-gauge galvanized steel construction.
- Protects people and the fan entrance from unwanted debris in non-ducted installations.
- Inlet guards meet OSHA guidelines.



CM MODEL	A (IN)	B (IN)
10	9-9/16	5/8
12	12-1/8	5/8
14	13-3/4	5/8
16	15-1/2	5/8
18	17-7/16	5/8
20	19-7/16	5/8
22	21-13/16	5/8
24	24-9/16	5/8
27	27-11/16	3/4
30	31-1/4	3/4
36	35-3/16	3/4

ACCESSORY MODEL	1	2	3	4	5	REMARKS

Project: _____	Submitted: _____
Customer: _____	Approved: _____
Location: _____	

Soler & Palau will not be responsible for fabrication changes or errors resulting from customer use of a non-current submittal drawing.