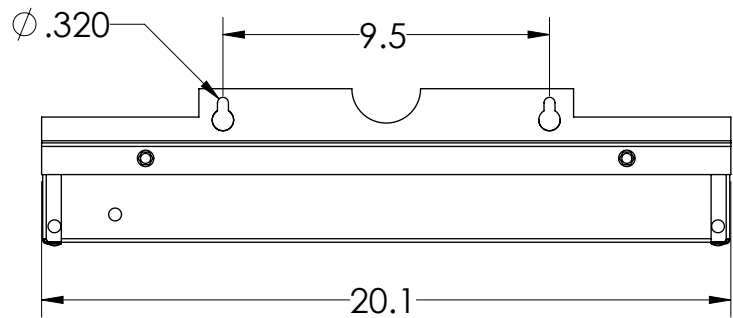
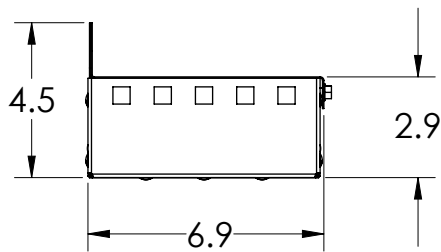
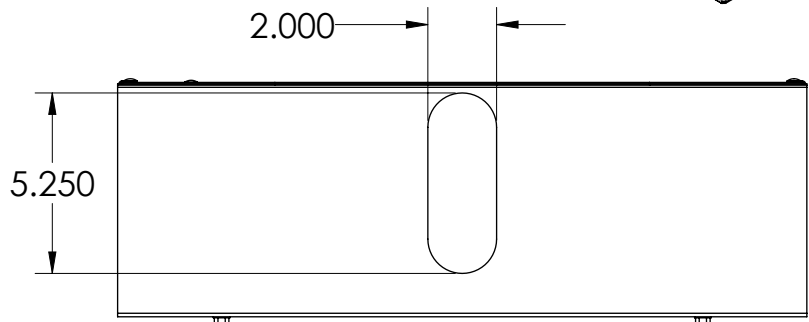
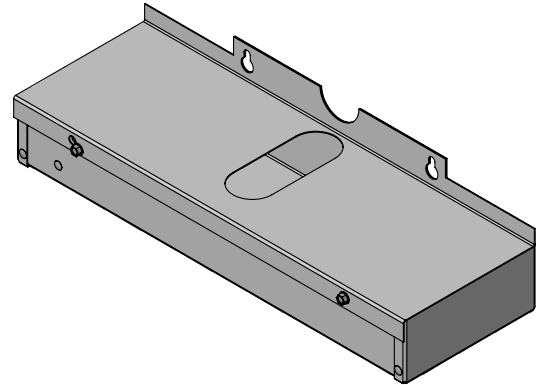




GREASE TROUGH FOR SERIES CM

Features

- Allows grease to collect in an easy to service container keeping roof area clean.
- Design allows for water and grease separation.
- Weather resistant aluminum construction.



ACCESSORY MODEL	1	2	3	4	5	REMARKS

Project: _____	Submitted: _____
Customer: _____	Approved: _____
Location: _____	_____

Soler & Palau will not be responsible for fabrication changes or errors resulting from customer use of a non-current submittal drawing.