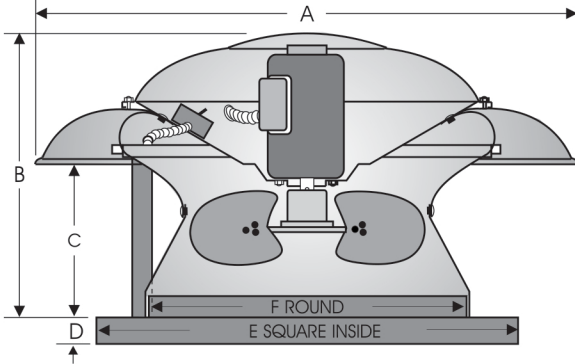




MODELS ARE & ARS DIRECT DRIVE AXIAL ROOF EXHAUST & SUPPLY FANS

P: 800.961.7370
www.solerpalau-usa.com



STANDARD FEATURES

- Permanently lubricated motor is mounted outside airstream.
- Exclusive U-spring suspension compensates for both radial and lateral movement, providing 44% better vibration isolation than rubber isolators.
- External, watertight, aluminum wiring post supplied for electrical conduit.
- Heavy-gauge spun aluminum housing gives unit strength without weight; eliminates rust.
- Pressure type axial fan with conic inlet construction assures quiet and efficient performance.
- High point of discharge with low contour.
- Disconnect switch (except explosion proof).

| MODEL NO. | DIMENSIONS (IN) | | | | | | | Recommend- ed Curb O.D. | AVG. SHIP WT. (LBS) |
|-----------|-----------------|----|-------|---|----|-------------------|------------------|----------------------------|---------------------------|
| | A | B | C | D | E | Ori- fice F | Damper O.D. G | | |
| 120A | 28 | 16 | 8 | 3 | 24 | 15-3/4 | 18 | 22-1/2 | 42 |
| 121A | 28 | 16 | 8 | 3 | 24 | 15-3/4 | 18 | 22-1/2 | 42 |
| 160A | 32 | 18 | 8-1/2 | 3 | 28 | 19-3/4 | 22 | 26-1/2 | 55 |
| 161A | 32 | 18 | 8-1/2 | 3 | 28 | 19-3/4 | 22 | 26-1/2 | 55 |
| 201A | 36 | 20 | 9-3/4 | 3 | 32 | 23-3/4 | 26 | 30-1/2 | 75 |

FAN SPECIFICATIONS

MOTOR SPECIFICATIONS

| Line | Qty. | Model No. | Tag | CFM | SP | Fan RPM | BHP | Sones | HP | Volts | Phase | Hertz | Encl |
|------|------|-----------|-----|-----|----|---------|-----|-------|----|-------|-------|-------|------|
| 1 | | | | | | | | | | | | | |
| 2 | | | | | | | | | | | | | |
| 3 | | | | | | | | | | | | | |
| 4 | | | | | | | | | | | | | |
| 5 | | | | | | | | | | | | | |

ACCESSORY ITEMS

1 2 3 4 5

ACCESSORY ITEMS

1 2 3 4 5

| | | | | | | | | | | | | | | |
|--------------------------|--|--|--|--|--|--|--|--|--------------------------|--|--|--|--|--|
| <input type="checkbox"/> | | | | | | | | | <input type="checkbox"/> | | | | | |
| <input type="checkbox"/> | | | | | | | | | <input type="checkbox"/> | | | | | |
| <input type="checkbox"/> | | | | | | | | | <input type="checkbox"/> | | | | | |
| <input type="checkbox"/> | | | | | | | | | <input type="checkbox"/> | | | | | |
| <input type="checkbox"/> | | | | | | | | | <input type="checkbox"/> | | | | | |

Project: _____ Submitted: _____
Customer: _____ Approved: _____
Location: _____