



Submittal Data

# Schwank Air Curtain Select10 Series:

## Ambient, Electric Heated Air Curtains

Project

Schwank models#

Voltage

Date submitted

### Features

#### Approvals / Certificates

UL Approval.

#### Motor

Energy-efficient EC Motors with variable speed control.

Electric Heaters: 208V / 480V / 600V 3 Phase 60Hz.

Ambient: 208-230V / 1 Phase 60Hz

#### Widths

36", 60", 72"

Wall mount brackets included.

Mounting up to 10ft.

#### Model

Corrosion-proof housing made of hot zinc plate and powder enamel steel panels.

Standard Colors:

Front — White, RAL 9016, NCS S 0500-N.

Grille, Real, Side Panel — Grey, RAL 7046

Optional Black Color Available

#### Connection

Single point of connection.

#### Sound Rating

36" - 55dB / 60" - 54db / 72" - 57db  
(Ambient & Electric Heat Models)

#### Controls

- Integrated controller and wireless remote control included w/door contact.
- Remote Control, with ON/OFF, Fan Step 1/2/3, Automatic & Manual Heating Mode.
- Schwank ONE Connectivity Available
- Schwank.ONE system control.

#### Warranty

5-year limited.



Read the  
I&O Manual

## Performance

### Ambient, no heat (IP21)

Tag	Qty	Model	Output (MBH)	Airflow* <sup>1</sup> (CFM)	Sound Power* <sup>2</sup> (dB(A))	Motor Power (W)	Voltage (V)/Phase (PH)	Amperage Motor (A)	Weight (lb)
		AC-KA36-23	0	859	70	80	208-230V/1PH	0.6	35
		AC-KA60-23	0	1592	72	110	208-230V/1PH	0.9	53
		AC-KA72-23	0	1875	73	140	208-230V/1PH	1.0	71

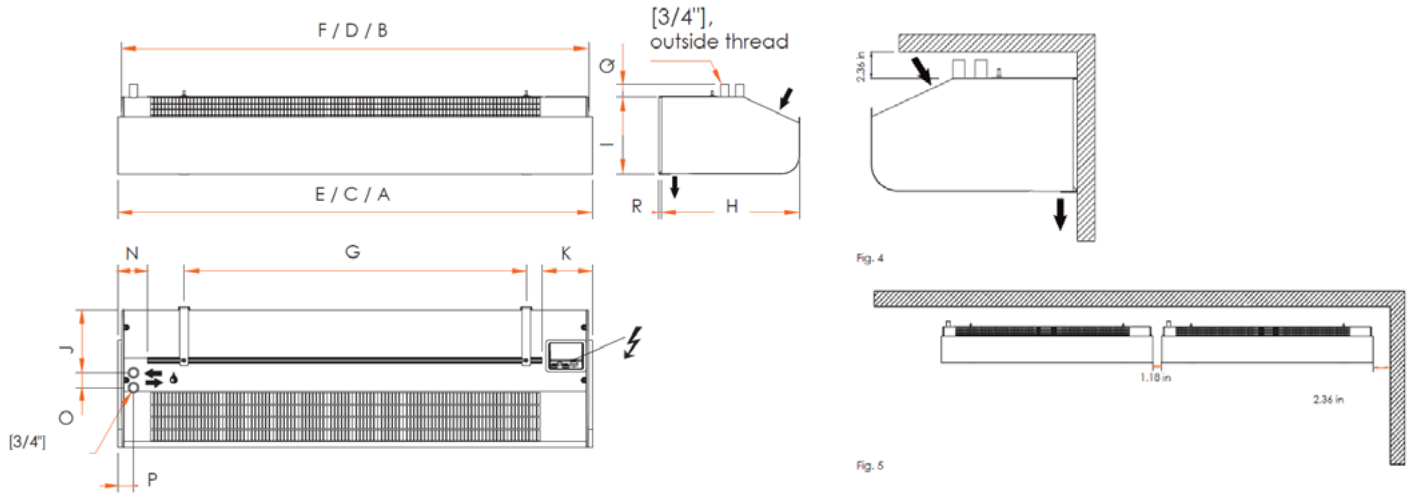
### Electrical Heat (IP20)

Tag	Qty	Model	Output (kW)	Airflow* <sup>1</sup> (CFM)	Sound Power* <sup>2</sup> (dB(A))	FLA (full load amperage) *3 (A)	Motor Power (W)	Amperage Motor (A)	Voltage (V)/Amperage (A) (heat)	Weight (lb)
		AC-KE36-20	2.7/4.1	859	70	7.1	80	0.6	208V3~/6.5	37.5
		AC-KE36-20-1	2.7/4.1	859	70	21	80	0.6	208V1~/20	37.5
		AC-KE36-48	3.3/5	859	70	6.6	80	0.6	480V3~/6.0	42
		AC-KE36-60	3.3/5	859	70	5.2	80	0.6	600V3~/4.8	42
		AC-KE60-20	3.2/6.5	1592	72	11.3	110	0.9	208V3~/10.4	57.3
		AC-KE60-20-1	3.2/6.5	1592	72	32	110	0.9	208V1~/31	57.3
		AC-KE60-48	4/8	1592	72	10.5	110	0.9	480V3~/9.6	61.7
		AC-KE60-60	4/8	1592	72	8.6	110	0.9	600V3~/7.7	61.7
		AC-KE72-20	4.1/8.1	1875	73	14	140	1.0	208V3~/13	75
		AC-KE72-48	5/10	1875	73	13	140	1.0	480V3~/12	79.3
		AC-KE72-60	5/10	1875	73	10.6	140	1.0	600V3~/9.6	79.3

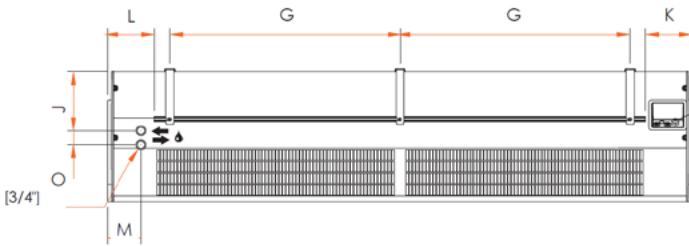
#### Notes:

1. Highest airflow at 3 fan speed.
2. Values shown are for total sound power levels for Installation Type A: free inlet, free outlet.
3. The Sound power level ratings shown are in decibels, referred to 10-12 watts.
4. FLA: total amperage for motor and heat.

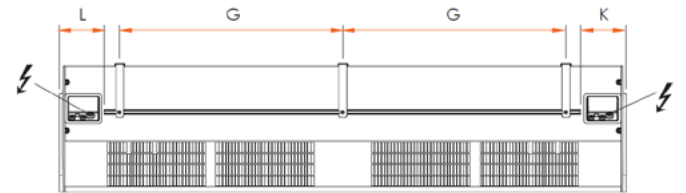
## Dimensions



### Ambient



### Electric



Ref	(Inch)	Product type
<b>A</b>	81.40	AC-KA72-23
		AC-KE72-20(48)(60)
		AC-KW72-23
<b>B</b>	80.50	AC-KA72-23
		AC-KE72-20(48)(60)
		AC-KW72-23
<b>C</b>	62.10	AC-KA60-23
		AC-KE60-20(48)(60)
		AC-KW60-23
<b>D</b>	61.20	AC-KA60-23
		AC-KE60-20(48)(60)
		AC-KW60-23
<b>E</b>	42.00	AC-KA36-23
		AC-KE36-20(48)(60)
		AC-KW36-23
<b>F</b>	41.10	AC-KA36-23
		AC-KE36-20(48)(60)
		AC-KW36-23

Ref	(Inch)	Product type
<b>G</b>	81.40	All Models
<b>H</b>	18.00	All Models
<b>I</b>	10.00	All Models
<b>J</b>	8.22	All Models
<b>K</b>	6.57	All Models
<b>L</b>	6.49	All Models
<b>M</b>	4.68	All Models
<b>N</b>	8.22	All Models
<b>O</b>	1.96	All Models
<b>P</b>	2.00	All Models
<b>Q</b>	1.65	All Models
<b>R</b>	0.39	All Models

## Controls

Tag	Qty	Part #	Description
		JC-0748-XX	Wireless Remote Control & Door Switch

## Additional Accessories

Tag	Qty	Part #	Description
		JC-0702-15/20	Pendulum Ceiling Bars
		JC-0704-15	Pendulum Ceiling Brackets
		JC-0704-20	Pendulum Ceiling Brackets

## Additional Items

Tag	Qty	Part #	Description