



Innovation that lowers your fuel cost and increases comfort

The **premierSchwank** boasts high comfort and provides significant energy savings and a carbon footprint reduction of up to 50%.

The long and laminar flame of this tube heater provides an even heat distribution and is easy to install, access, and maintain. **premierSchwank** provides the highest employee comfort by creating a uniform distribution of heat.

Experience Counts: Schwank is the worldwide market leader and most trusted brand with over 2 million heating appliances sold.



Features

- 24 or 120 volt control
- Whisper-Jet technology makes heater extremely quiet
- Easy access to “clamshell” burner box
- Pre-installed igniter
- Status indicator lights
- Combustion air collar included

Optional Accessories [See back for more details.](#)

- Air Intake Wall Cap
- Horizontal Flue Vent Terminal
- Elbow Kit

*Also Available in **duraSchwank** model for Harsh Environment Applications – See [duraSchwank brochure](#) for more details*

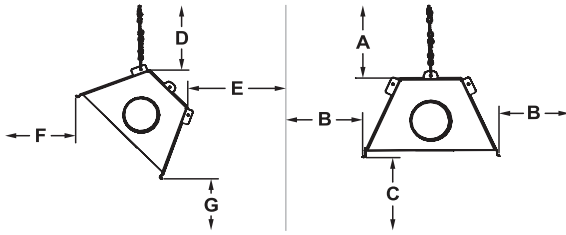
Contact us today for a FREE design and quote!

premierSchwank - Technical Specifications, Controls, & Accessories

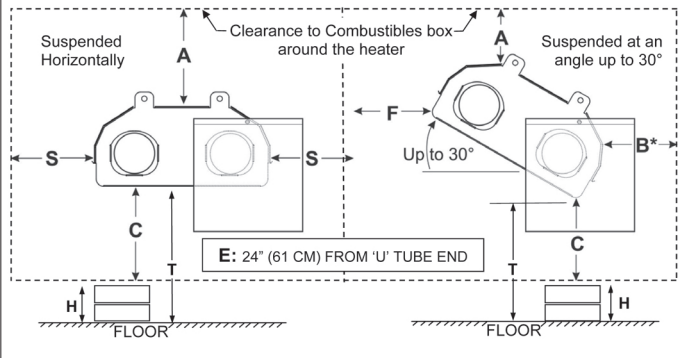
Information below is intended only as a reference and should not be used when installing equipment. Please ensure you locate the most recent instruction manual for accurate and up to date information.

Clearances to Combustibles

STS-JZ Straight Tube System

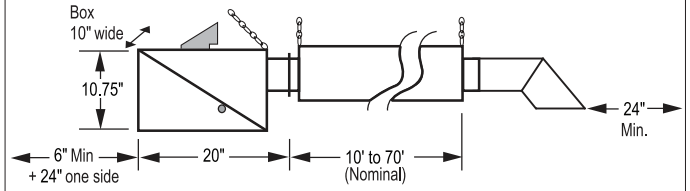


*P40U Packaged U-Tube

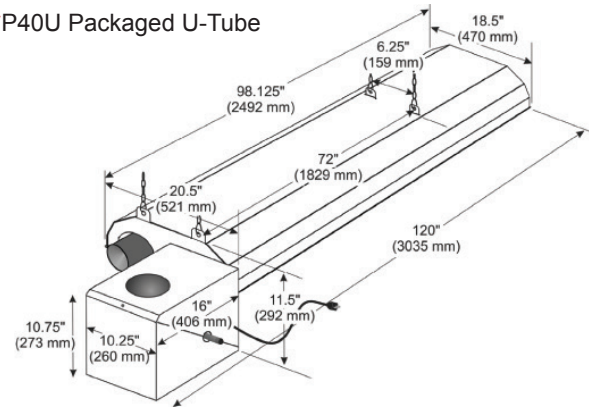


Dimensions and Specifications

STS-JZ Straight Tube System



*P40U Packaged U-Tube



MODELS	SUSPENDED AT AN ANGLE UP TO 45°				SUSPENDED HORIZONTALLY		
	D	E	F	G	A	B	C
STS-JZ 200	13"	6"	74"	70"	14"	44"	76"
STS-JZ 175	12"	6"	72"	68"	13"	42"	74"
STS-JZ 155	5.5"	1"	64"	64"	3.5"	22"	70"
STS-JZ 130	4.5"	1"	60"	60"	3.3"	21"	65"
STS-JZ 110	3.5"	1"	54"	54"	2"	19"	60"
STS-JZ 100	6.5"	1"	57"	68"	6.0"	22"	68"
STS-JZ 80	3.0"	1"	23"	38"	1.75"	6"	38"
STS-JZ 60	2.5"	1"	17"	34"	1.5"	5.5"	34"
STS-JZ 45	2.75"	1"	24"	32"	2.25"	7"	32"
P40U*	A	B	F	C	A	S	C
	12"	12"	36"	55"	12"	24"	55"

MODEL	INPUT (BTU/HR) U.S.A.: SEALEVEL TO 2,000' CANADA: SEALEVEL TO 4,500'	HEATER LENGTH						
		10'	20'	30'	40'	50'	60'	70'
STS-JZ 200	200,000					■	■	■
STS-JZ 175	175,000					■	■	■
STS-JZ 155	150,000				■	■	■	
STS-JZ 130	130,000			■	■	■		
STS-JZ 110	110,000			■	■	■		
STS-JZ 100	100,000		■					
STS-JZ 80	80,000		■	■	■			
STS-JZ 60	60,000		■	■				
STS-JZ 45	45,000		■					
P40U*	40,000	■						
HEATER LENGTH		10'	21' 4"	31'	40' 8"	50' 4"	60'	69' 8"
SHIPPING WEIGHT (LBS.)		100	150	200	240	315	360	430

* HIGH ALTITUDE: De-rate heater 4% for each additional 1,000 ft. of elevation

Gas Pressure	Line Minimum:	5" W.C. NG	11" W.C. LP
	Line Maximum:	14" W.C. NG	14" W.C. LP
	Manifold	3.5" W.C. NG	10" W.C. LP
Gas Inlet	1/2"		
Flue & Air Vent	4"		
Electrical	120V, 60 Hz, 1.5 AMPS		

Optional Accessories

Fresh air intake wall cap	JS-0532-VC
4" Horizontal flue vent terminal (wall)	JA-0528-XX
90° Elbow kit with reflector cap (Combine with two 90° to create 180° elbow)	JS-0508-JZ
#2 Lion chain	JL-0800-XX

Consult your local authorized dealer for other Schwank accessories:

- Line-voltage and 24V thermostat and controls
- Side reflector extensions

Additional resources:



Inst. Manual - STS-JZ



Inst. Manual - P40U



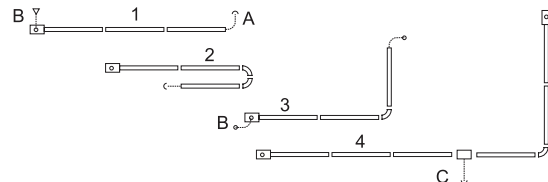
Replacement Parts List



Find a Distributor

Distributor info:

Flexible Layout of Straight Tube Systems



System Configuration

- Straight line
- "U" tube with two 90° elbow kits
- "L" tube with 90° elbow kit
- Common 6" TEE flue vent

Venting Options

- 4" flue vent through wall or roof
- 4" intake air from wall or roof
- 6" common vent through wall or roof